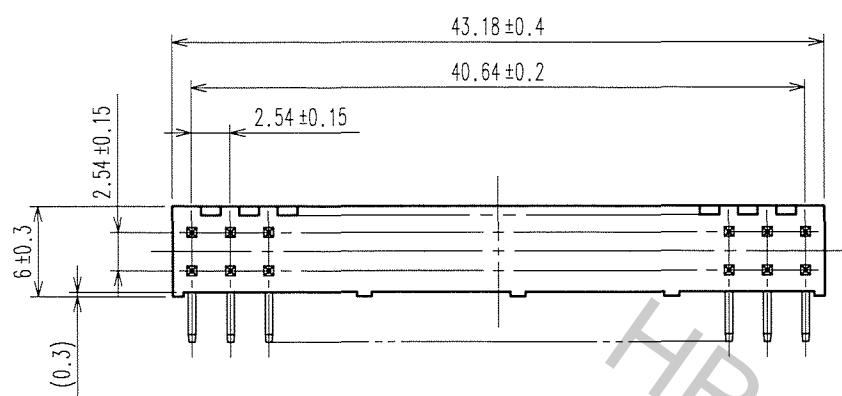
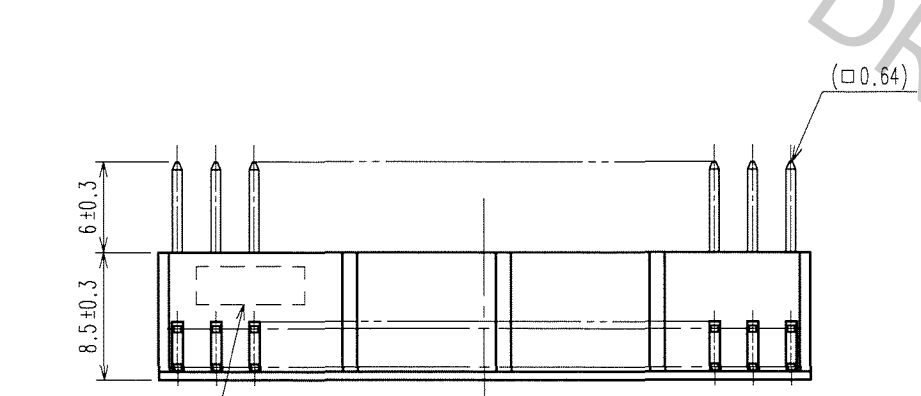
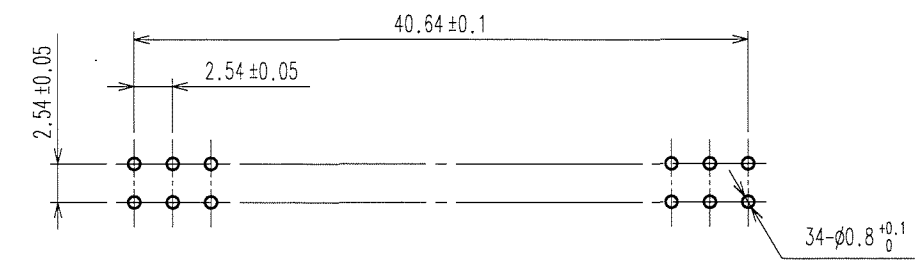


Nov.1.2016 Copyright 2016 HIROSE ELECTRIC CO., LTD. All Rights Reserved.

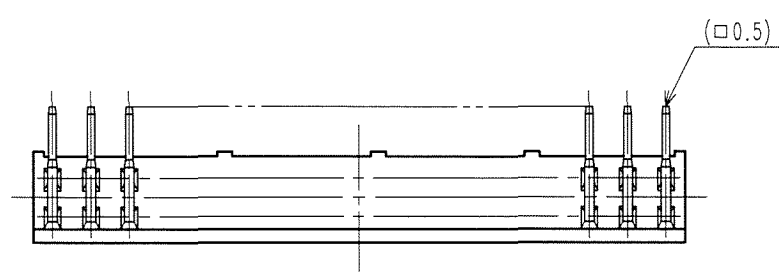
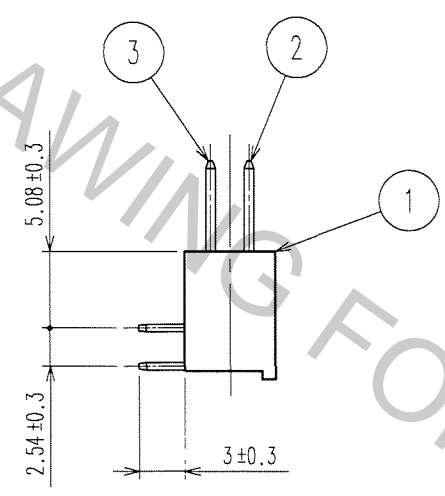
COUNT	DESCRIPTION OF REVISIONS	BY	CHKD	DATE	COUNT	DESCRIPTION OF REVISIONS	BY	CHKD	DATE
△				..	△				..
△				..	△				..
△				..	△				..



RECOMMENDED PC BOARD HOLE PATTERN



POLARIZATION MARK
(REVERES SIDE)



NOTES 1. THE DIMENSIONS IN PARENTHESES ARE FOR REFERENCE.

1	PBT	BLACK	UL94V-0	2	BRASS	CONTACT AREA : GOLD 0.2μm min DIP AREA : TIN-PLATING 2μm min UNDER PLATING : NICKEL 2.5μm min					
NO.	MATERIAL	FINISH, REMARKS			NO.	MATERIAL	FINISH, REMARKS				
CODE NO. (OLD) CL				DRAWN	DESIGNED	CHECKED	APPROVED	RELEASED			
				K.NAKAMURA	K.NAKAMURA	H. Ogawa	H. Okawa				
				07.02.01	07.02.01	'07.02.01	'07.02.01				
SCALE 2 : 1		DRAWING NO. EDC3-018138-21			PART NO. A1-34PA-2.54DS(71)						
UNITS mm		HRS HIROSE ELECTRIC CO., LTD			CODE NO. CL619-0011-0-71			1/1			

TO
PCK