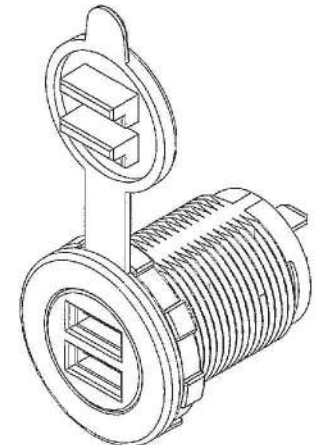
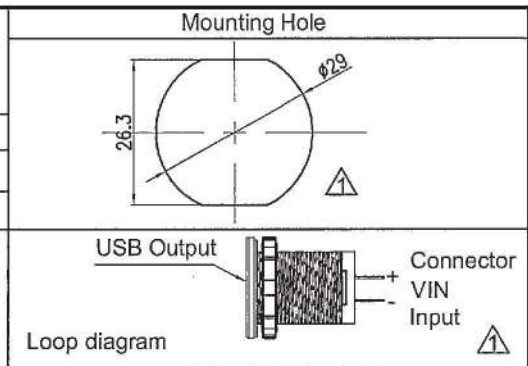
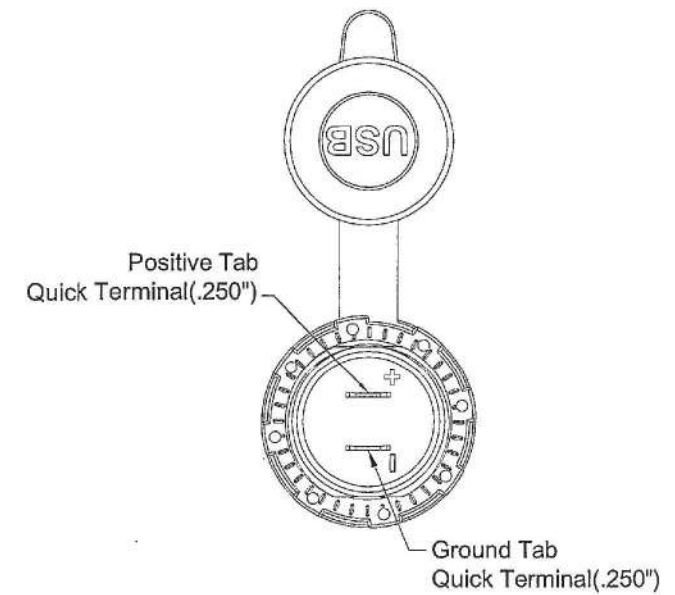
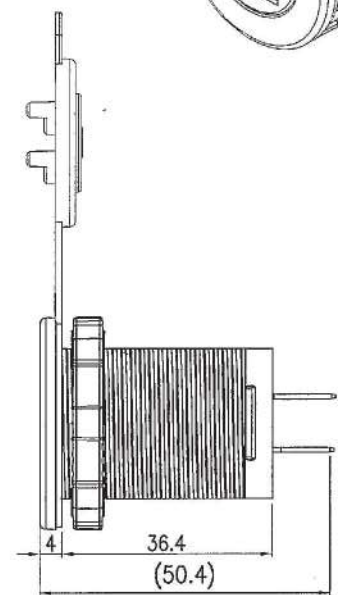
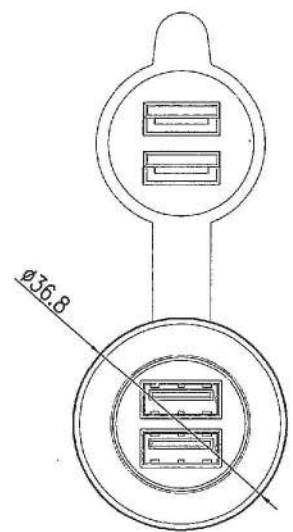


Rating	Input: 12V/24 DC Output: 5V DC 2.4A+2.4A max.
Insulation Resistance	DC 500V 100MΩ Min.
Dielectric Strength	AC 1500V 1 minute
Operating Temperature	-20°C~45°C



- ⚠ 1. USB port version type: USB2.0
- 2. Terminal specification: .250" Quick terminal
- 3. Nut torque: 6.8Kgf · cm Min.
- 4. Vibration Test: X-Y-Z AXIX 5-55HZ 1mm(P-P)/1HRS



Tolerances ±0.3 Unless Otherwise Specified

04/20/17	曾敏捷	依SCI營業要求增加說明與修改安裝孔	△	Drawn	Checked	Approved	SCI BOM No	1251340	Model Name	Triple outlet socket	
Date	Name	Description	No.	曾敏捷		<i>Simon</i>	Customer No		Model No.	A13-194B2-BB3	Rev. X1
				04/20/17		4/20-17	Unit	mm			