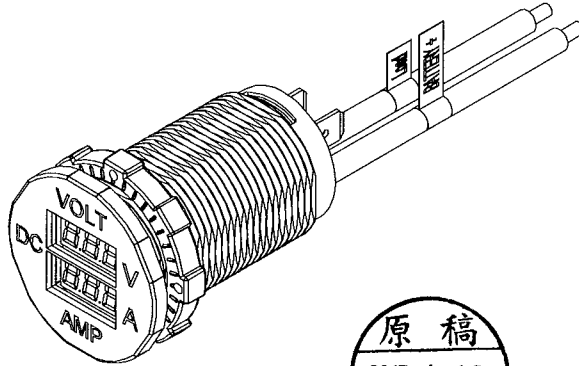
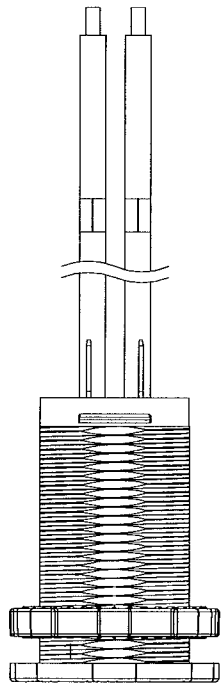
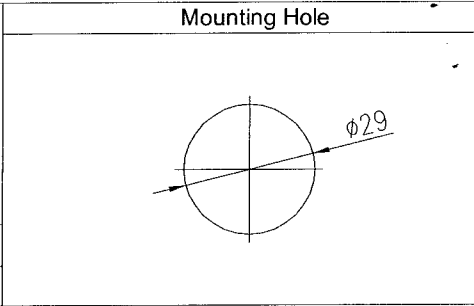
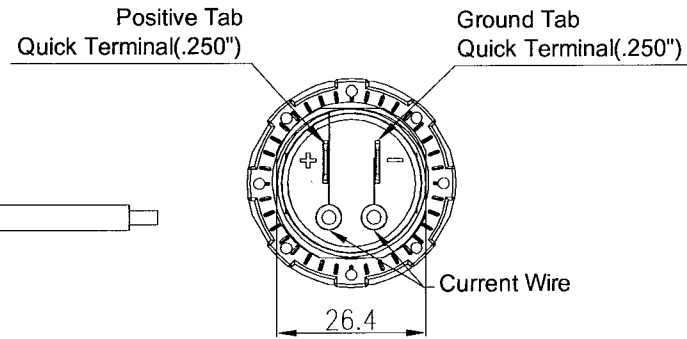
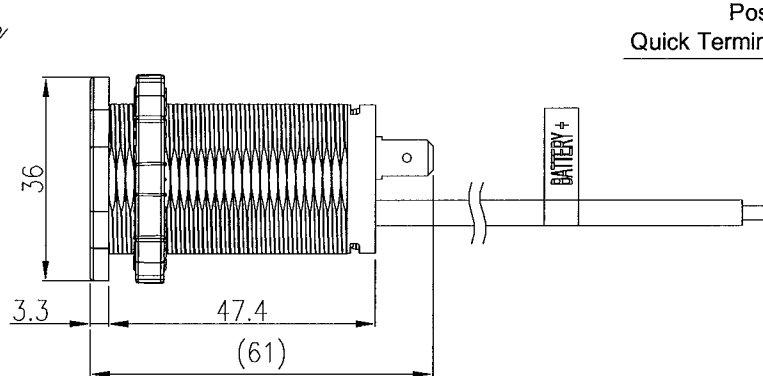
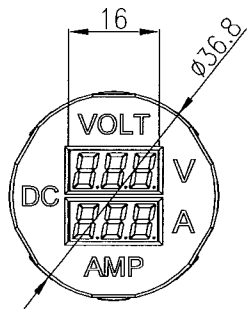
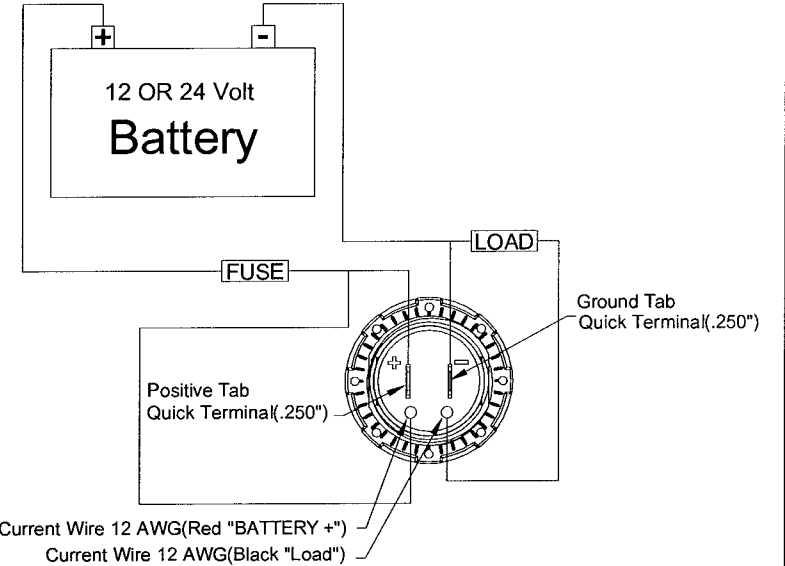


Rating	Operating voltage:7V~33V DC Measuring Voltage:7-33V Voltage Tolerance: 1% 12V±0.1V , 24V±0.2V Measuring Current range:0~25.0A Current Tolerance: 5% 1A:±0.1A, 10A:±0.5A, 20A:±1.0A, 25A:±1.3A LED digital display. Reverse polarity protection.Surge protection up to 400W/36V
Insulation Resistance	DC 500V 100MΩ Min.
Operating Temperature	-20℃~50℃



原稿
2017.4.12
研發部



Tolerances ±0.3 Unless Otherwise Specified

for SCI

			△	Drawn	Checked	Approved	1570020	Model Name	DC Volt / Amp meter
			△	Rock Hsu		<i>[Signature]</i>	Customer No.	Model No.	A25-6
Date	Name	Description	No.	04/07/17		4/7/17	Unit	mm	Rev. 0