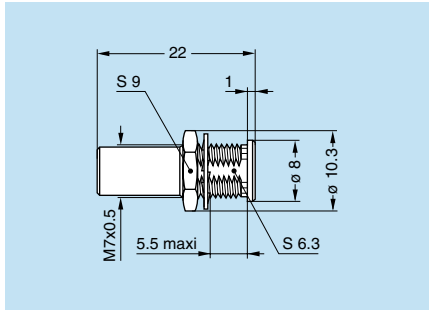


FLR Elbow plug (90°) with resistor

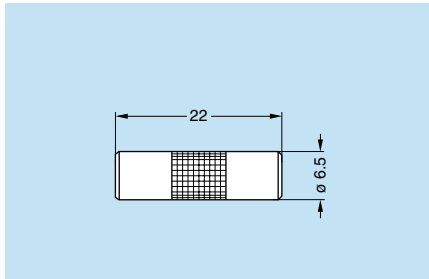
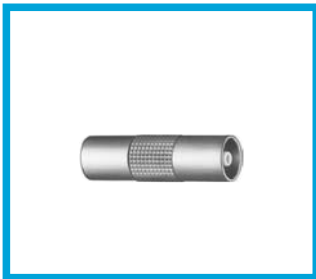
Part number	Resistance	Weight (g)	Availability
FLR.00.250.NTA50	50 Ω 1/8W	5.6	○



RAD Fixed coupler, nut fixing

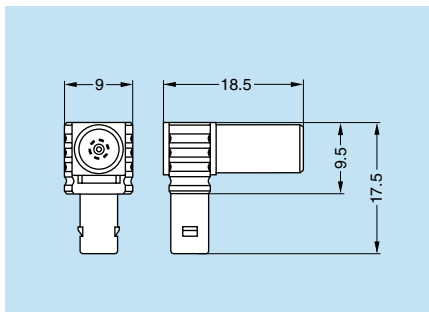
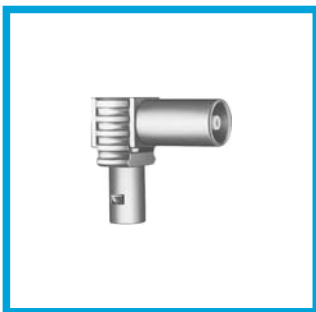
Part number	Weight (g)	Availability
RAD.00.250.CTM	3.8	●

P5 Panel cut-out



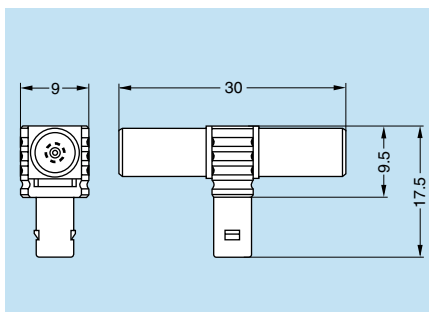
RMA Free coupler

Part number	Weight (g)	Availability
RMA.00.250.CTM	2.7	●



FTR Elbow plug (90°) with receptacle

Part number	Weight (g)	Availability
FTR.00.250.CTA	5.4	○



FTA T-plug with two in-line receptacles

Part number	Weight (g)	Availability
FTA.00.250.CTF	7.8	○

● Standard, typically 0-6 weeks delivery for quantities of 250 or less.
 ○ Non-standard product, contact LEMO USA, typically 6-12 weeks delivery for quantities of 250 or less.
 Non-standard product is defined as any product which contains one or more components which are not standard.