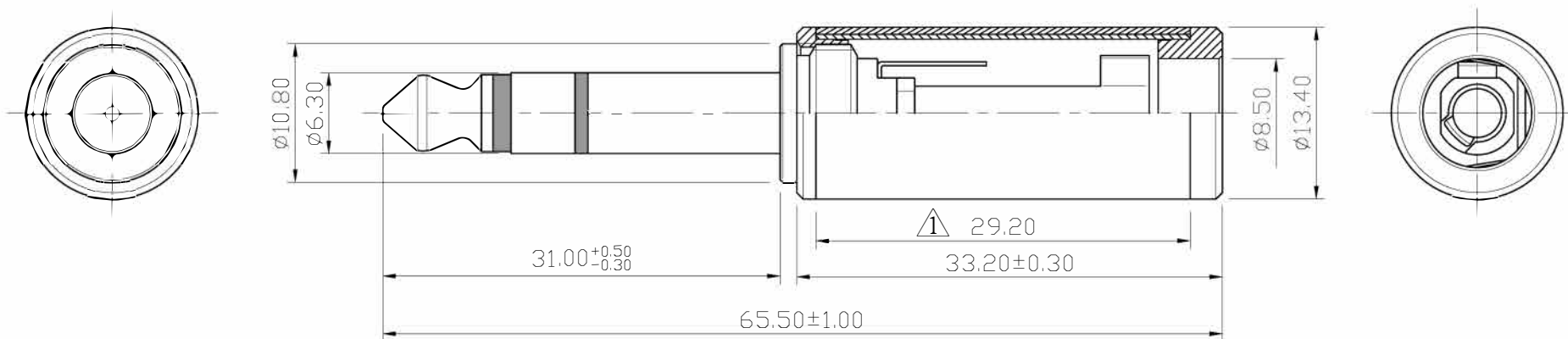
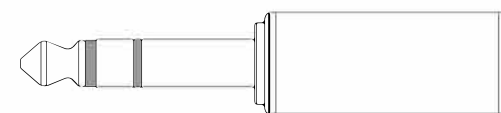


No.	DATE	DESCRIPTION	REV
△	2014. 11. 13	Drawing revised (圖面修正)	A



-	ferrule	1	brass	nature
-	sleeve	1	brass	gold
-	headlock	1	brass	gold
-	shell	1	black carbon fiber	nature
-	tube	1	brass	nature
-	contact pin	1	iron	gold
-	clip	1	brass	gold
-	solder tab	1	brass	gold
-	solder tab	1	brass	gold
-	insulator	1	POM	black
-	insulator	1	POM	black
-	insulator	1	POM	white
-	insulator	1	POM	white
-	body	1	brass	gold
-	body	1	brass	gold
-	body	1	brass	gold
-	body	1	brass	gold



S 1 : 1

NO.	Description	Unit	Materials	Finish	Drawing No.	SCALE	2 : 1	UNIT	MM	CHECKED	Linkman MODEL No. 【AP6.3-4042BKFGG-Stereo-8.5】
										DRAWN <i>Sun</i>	TITLE AUDIO PLUG
										DATE 2012. 05. 25	DRAWING NO. AP6.3-4042BKFGG-Stereo-8.5
											FILE NO. DRAWINGAUDIO\AP\AP6.3-4042BKFGG-Stereo-8.5

DIMENSIONS ARE IN MILLIMETERS
UNLESS OTHERWISE SPECIFIED
TOLERANCES
(一般公差)
0.5~6 = ±0.2
>6~30 = ±0.4
>30~120 = ±0.6
>120~315 = ±1
>315~1000 = ±1.6
ANGLES(角度) = ±5°

CHECKED

DRAWN
Sun
DATE
2012. 05. 25