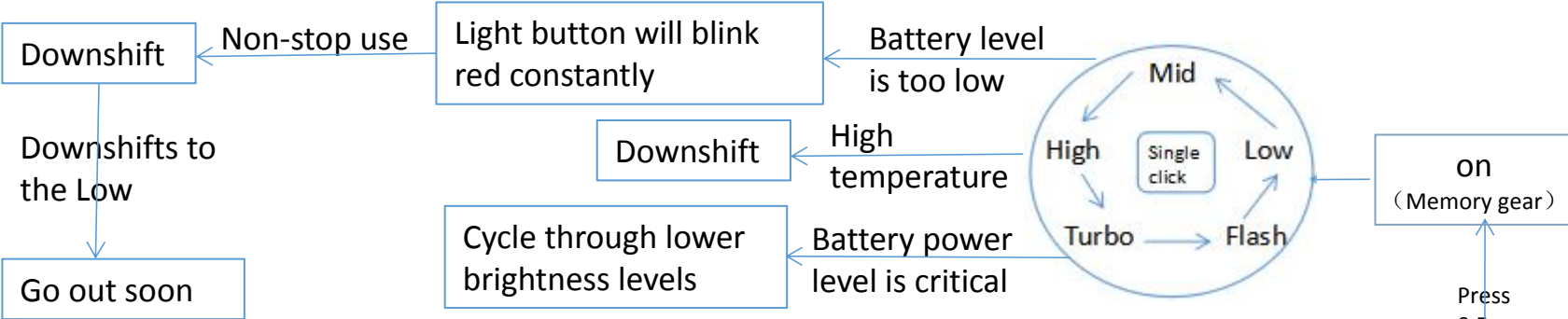
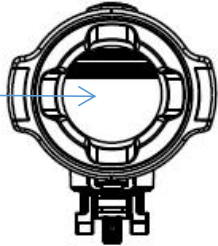


# Fenix BC21R

Cree XM-L2 T6



Downshift

Non-stop use

Light button will blink red constantly

Battery level is too low

Downshift

High temperature

Cycle through lower brightness levels

Battery power level is critical

Downshifts to the Low

Go out soon

on (Memory gear)

Press 0.5s

Off

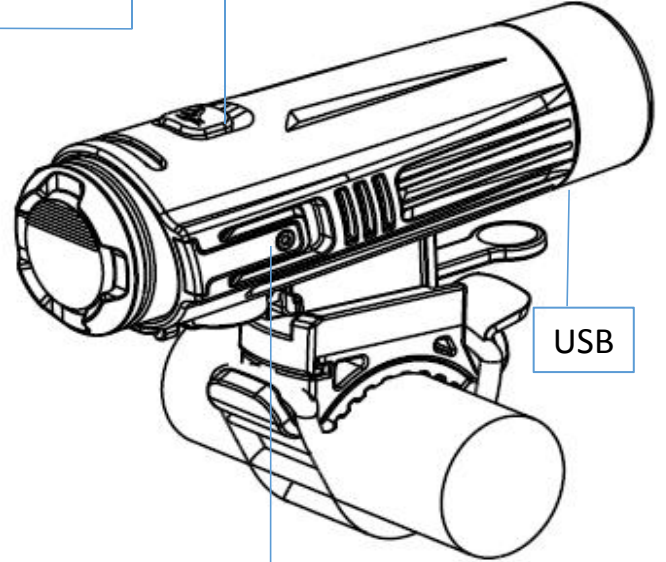
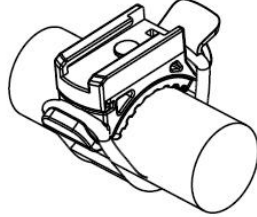
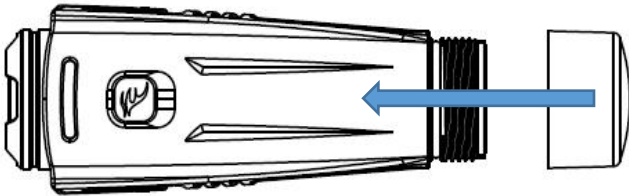
Side light (5s)

Single click

Constant on:sufficient

Slow flashing:low

Quick flashing:critical



USB

Side light