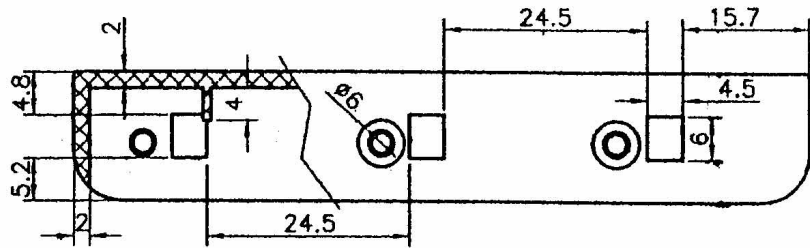
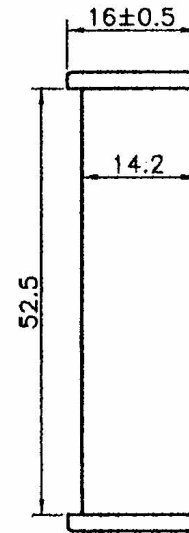
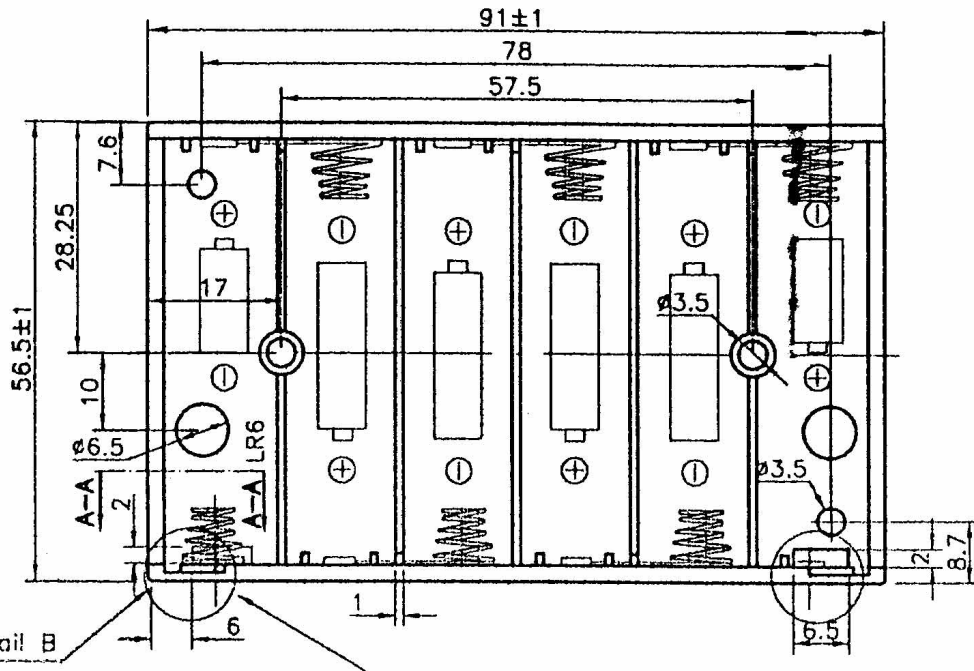


NO.	MODIFICATION	DATE



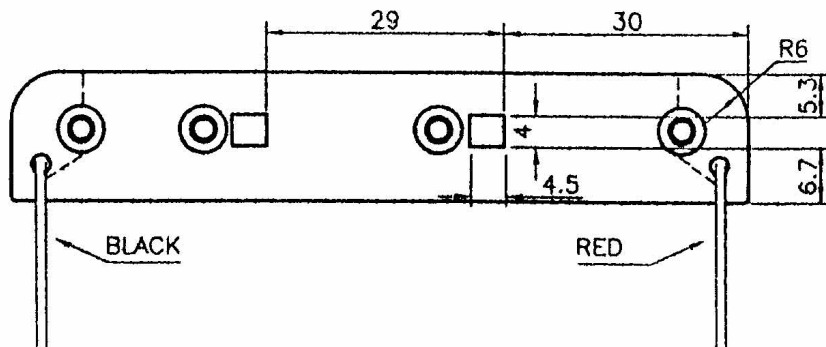
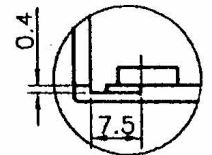
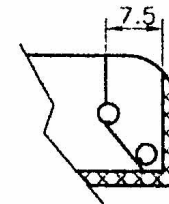
SPECIFICATION

- (1) ITEM NO.:BH-364A
- (2) WIRE: UL1007 AWG#26  
BLACK & RED 150±5MM  
STRIP & TIN 5±1MM
- (3) MATERIAL: ABS RESIN, BLACK COLOR
- (4) SPRING: 0.6 MM 65C SPRING WIRE



VIEW A-A  
旋轉

detail B



BATTERY HOLDER BH-364A			
NAME	BATTERY HOLDER BH-364A		
SCALE	1:1	APPD.	<i>Juhir 7/5/01</i>
UNIT	MM	CHKD.	<i>Wang Yong Jian</i>
MAT'L	ABS	DWN.	LING*XIAO
DATE	MAR.25.2001	DR NO.	3640A-0301