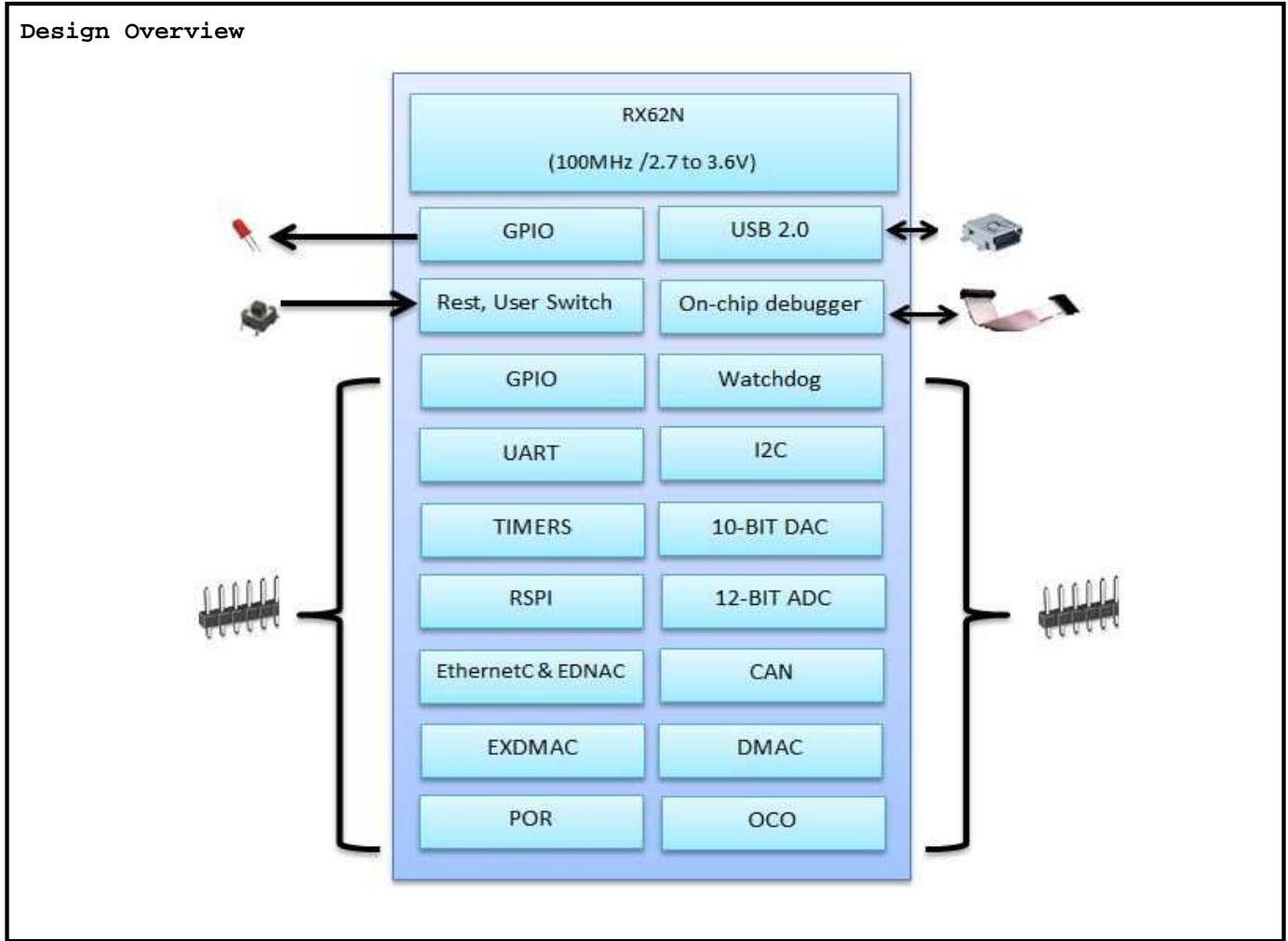


### Design Overview

Page 2  
Rx62N



**Disclaimer:**

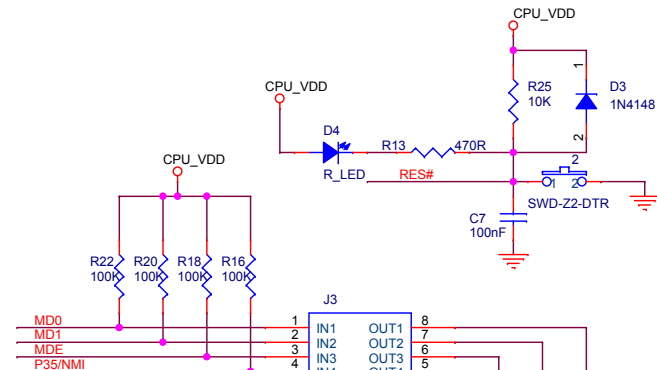
Schematic's are for reference only.  
NGX Technologies Pvt. Ltd. provides no warranty for the use of these schematics.

		NGX Technologies Pvt. Ltd.	
Title		01 COVER	
Size	Document Number	Rev	
B	<Doc>	(A)	
Date:	Monday, May 28, 2012	Sheet	1 of 2

J1A	U2A
1	VCC
2	EMLE
3	VSS
4	MDE
5	VCL
6	MD1
7	MDO
8	XCIN
9	XCOUT
10	RES#
11	XTAL
12	VSS
13	EXTAL
14	VCC
15	P35/NMI
16	TRST
17	P3
18	P32
19	TMS
20	TDI
21	TCK
22	TDO
23	P25
24	P24
25	P23

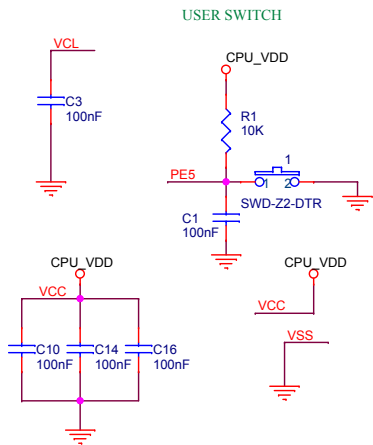
U2B	J1B
P22/PO2/MTIOC3B/MTCLKC-A/TMO0/SCK0/USB0_DRPD	26 P22
P21/PO1/MTIOC1B/TMCI0/RXD0/USB0_EXICEN	27 P21
P20/PO0/MTIOC1A/TMRI0/TXD0/USB0_ID	28 P20
PLLVCC	29 PLLVCC
P16/PO14/MTIOC3C/TMO2/IRQ6-B/USB0_VBUS/USB0_OVRCURB/USB0_VBUSEN-B	30 P16
PLLVSS	31 PLLVSS
P14/PO15/MTIOC3A/TMRI2/IRQ4-B/USB0_OVRCURA/USB0_DPUPE-B	32 P14
P13/ADTRG1#/PO13/MTIOC0B/TMO3/TXD2-A/SDA0/IRQ3-B	33 P13
P12/TMCI1/RXD2-A/SCLO/IRQ2-B	34 P12
VCC_USB	35 VCC_USB
USB0_DM	36 USB0_DM
USB0_DP	37 USB0_DP
VSS_USB	38 VSS_USB
P55/WAIT#-B/MTIOC4-B	39 P55
P54/MTIOC4-B	40 P54
P53/BCLK	41 P53
P52/RD#/RXD2-B/SSLB3-A	42 P52
P51/WR1#/BC1#/WAIT#-D/SCK2/SSLB2-A	43 P51
P50/WR0#/WR#/TXD2-B/SSLB1-A	44 P50
PC7/A23/CS#/MTIC11U-A/MTCLKB-B/MOSIA-A/ET_EXCOL	45 PC7
PC6/A22/CS1#/MTIC11V-A/MTCLKA-B/MOSIA-A/ET_EXD3	46 PC6
PC5/A21/CS2#/WAIT#-C/MTIC11W-A/MTCLKD-B/RSPCKA-A/ET_ETXD2	47 PC5
PC4/A20/CS3#/MTCLKC-B/SSLA0-A/ET_TX_CLK	48 PC4
PC3/A19/MTCLKF-A/TXD5/ET_TX_ER	49 PC3
PC2/A18/MTCLKE-A/RXD5/SSLA3-A/ET_RX_DIV	50 PC2

RESET SECTION



2x25 RX62N LQFP100

J6B	U2D
26	PE2
27	PE1
28	PE0
29	PD7
30	PD6
31	PD5
32	PD4
33	PD3
34	PD2
35	PD1
36	PD0
37	P47
38	P46
39	P45
40	P44
41	P43
42	P42
43	P41
44	VREFL
45	P40
46	VREFH
47	AVCC
48	P07
49	AVSS
50	P05

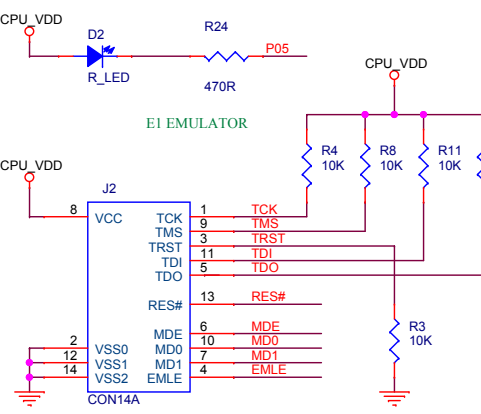


USER SWITCH

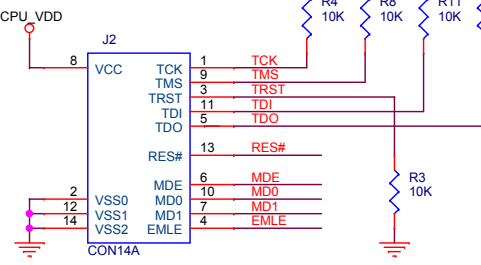
2x25 RX62N LQFP100

U2C	J6A
PC1/A17/MTCLKH-A/SCK5/SSLA2-A/ET_ERXD2	51 PC1
PC0/A16/MTCLKG-A/SSLA1-A/ET_ERXD3	52 PC0
PB7/A15/PO3/MTIOC10D/ET_CRSRMIL_CR5_DV	53 PB7
PB6/A14/PO30/MTIOC10B/ET_ETXD1/RMIL_TXD1	54 PB6
PB5/A13/PO29/MTIOC10C/MTCLKF-B/ET_ETXD0/RMIL_TXD0	55 PB5
PB4/A12/PO28/MTIOC10A/MTCLKE-B/ET_TX_EN/RMIL_TXD_EN	56 PB4
PB3/A11/PO27/MTIOC9D/MTCLKH-B/ET_RX_ER/RMIL_RX_ER	57 PB3
PB2/A10/PO26/MTIOC9B/MTCLKG-B/ET_RX_CLK/REF50CK	58 PB2
PB1/A9/PO25/MTIOC9C/ET_ERXD0/RMIL_RXD0	59 PB1
VCC3	60 VCC
PB0/A8/PO24/MTIOC9A/ET_ERXD1/RMIL_RXD1	61 PB0
VSS3	62 VSS
PA7/A7/PO23/MTIOC8B/MISOA-B/ET_WOL	63 PA7
PA6/A6/PO22/MTIOC8A/MOSIA-B/ET_EXOUT	64 PA6
PA5/A5/PO21/MTIOC7B/RSPCKA-B/ET_LINKSTA	65 PA5
PA4/A4/PO20/MTIOC7A/SSLA0-B/ET_MDC	66 PA4
PA3/A3/PO19/MTIOC6D/ET_MDIO	67 PA3
PA2/A2/PO18/MTIOC6C/SSLA3-B	68 PA2
PA1/A1/PO17/MTIOC6B/SSLA2-B	69 PA1
PA0/A0/BC0#/PO16/MTIOC6A/SSLA1-B	70 PA0
PE7/D15/MISOB-B/IRQ7	71 PE7
PE6/D14/MOSIB-B/IRQ6-A	72 PE6
PE5/D13/RSPCKB-B/IRQ5	73 PE5
PE4/D12/SSLB0-B	74 PE4
PE3/D11/POE8#	75 PE3

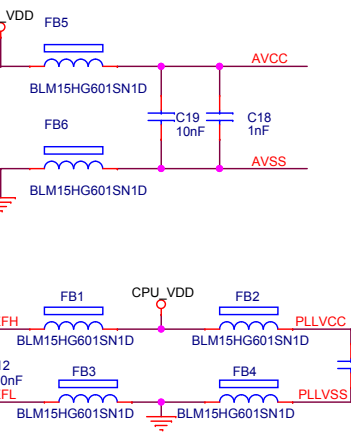
USER LED



EI EMULATOR

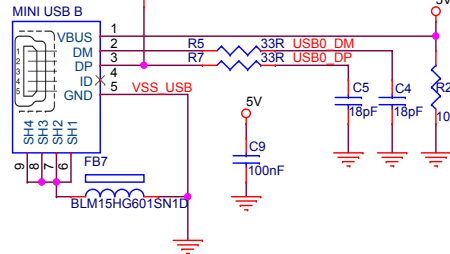


2x25 RX62N LQFP100

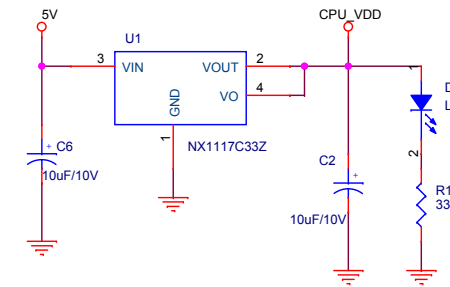


CRYSTAL

USB SECTION



POWER SUPPLY SECTION



NGX TECHNOLOGIES		
Title 02 RL78 LQFP 100		
Size B	Document Number <Doc>	Rev (A)
Date: Monday, May 28, 2012	Sheet 2	of 2