

# The Fifth Generation, Ultra Small Size, Isolated DC-DC Converter

## Bellnix®

## 1.5Watt BTA Series

BTA series is a thin, high efficiency, low noise isolated DC-DC converter. Contrived to adopt new circuit to achieve miniaturization. Circuit construction is high-efficiency and simple. Adjustable output voltage and remote ON/OFF control has been added as a new function.



### <Features>

- Adjustable Output Voltage
- Remote ON/OFF Control
- Dual Power Supply usable as Single Power Supply
- Isolation Voltage AC500V
- Built-in over-Current Protection
- Built-in Low Input Voltage Protection
- Built-in Over Input Current Protection element
- No electrolytic Capacitor, No Tantalum Capacitor
- MTTF 2,000,000 Hrs
- Metallic Shield Cover
- Halogen-Free PCB Used
- Between Primary and Secondary combination capacitance approx. 60 to 140pF
- Operating Temp. Range -40°C to 85°C (Temp. Derating required)
- RoHS Compliance

### <Model, Rating>

Table 1

Model	Input V Vdc	Output V Vdc	Output I mA	Line Reg. mV(max.)	Load Reg. mV(max.)	Noise mVpp(typ.)	Efficiency %(typ.)
BTA05-03S40	4.5 to 9	3.3	0 to 400	20	40	40	71
BTA05-05S30		5	0 to 300				77
BTA05-12S12		12(15)	0 to 125 (100)	40	100	30	80
BTA05-12W06		±12(±15)	0 to 60 (50)	80	600		79
BTA12-03S40	9 to 18	3.3	0 to 400	20	40	40	73
BTA12-05S30		5	0 to 300				78
BTA12-12S12		12(15)	0 to 125 (100)	40	100	30	82
BTA12-12W06		±12(±15)	0 to 60 (50)	80	600		81
BTA24-03S40	18 to 36	3.3	0 to 400	20	40	40	72
BTA24-05S30		5	0 to 300				77
BTA24-12S12		12(15)	0 to 125 (100)	40	100	30	81
BTA24-12W06		±12(±15)	0 to 60 (50)	80	600		79
BTA48-03S40	36 to 76	3.3	0 to 400	20	40	40	70
BTA48-05S30		5	0 to 300				75
BTA48-12S12		12(15)	0 to 125 (100)	40	100	30	80
BTA48-12W06		±12(±15)	0 to 60 (50)	80	600		79

Note1 : Specify the type in the column of the model name. D:DIP type, S:SMD type

Ex.) DIP type: BTA05-03S40D, SMD type: BTA05-03S40S

Note2 : The Output voltage inside ( ) is when it is short between Vadj and -Vout.

Note3 : The output current inside ( ) is when adjusted to the max. output voltage.

# The Fifth Generation, Ultra Small Size, Isolated DC-DC Converter

**Bellnix®**

**1.5Watt BTA Series**

<Specification>

Table2

Input Voltage Range	Refer to Table 1
Rating Output Voltage	3.3V±3%, 5V±3%, 12V±3%, ±12V±5% (Vadj pin at open)
Adjustable Output Voltage Range	3.15 to 3.6V (For 3.3V), 4.75 to 6.0V (For 5V), 11.4 to 15V (For 12V), ±11.4 to ±15V (For 12V)
Line Regulation	Please refer to Table1 (rating Output, for the regulation of Input Voltage Range of Table1)
Load Regulation	Refer to table1 (Rating Input/Output Voltage, for the regulation of load 0 to 100% (±Output is when load is at balance))
Temp. Regulation	80mV max. (For 3.3V, 5V), 200mV max. (For 12V), 300mV max. (For ±12V) (Input/Output rating, For operating temp. -40°C to 50°C)
Ripple/Noise	Refer to Table 1 (Rating Input/Output, At room temp, 20MHz bandwidth)
Efficiency	70% to 82% typ. (Rating Input/Output, At room temp., Refer to table 1)
Over Current Protection Circuit	Operates at 105% or more rating load current, auto recovery type. Avoid long time short-circuit Condition.
Over Voltage Protection Circuit	None
Low Input Voltage Protection	Available (Refer to p.11)
Over Input Current Protection	Built-in fuse in the input (refer to p.12)
Remote ON/OFF	Between 2pin (ON/OFF) and -3pin (-Vin) : Output goes OFF at open, Output goes ON when in short. (Refer to p.9)
Stand by Current	0.6 to 2.4mA typ. (Depend on the model)
Isolation Voltage	Input - Output , Input - Case, Output - Case AC500V 1min.
Isolation resistance	Input - Output , Input - Case, Output - Case Over 50MΩ at DC500V.
Primary-Secondary capacitance	Approx. 60 to 140pF (Depend on the model)
Operating Temp. Range	Operating Temp. -40°C to 85°C (Need temp. derating from 50°C)
Storage Temp. Range	Storage Temp.-40°C to 85°C
Humidity Range	Humidity range 95%R.H. max. (Max. wet bulb 38°C, non-condensing)
Cooling Condition	Air Convection (Set in a place where good convection is ensured)
Vibration	10 to 55Hz All amplitude 1.52mmp-p (2 hours in each orthogonal axes), Scanning time 15min.
Shock	Acceleration 100G (3directions, 3times each, 18times in total), Persistent time 6ms
Weight	3.2g typ.
Outline	DIP type W=16.6 L=16.8 H=8.4 typ. (mm) (For detail dimensions, refer to the outline on p.7)
	SMD type W=16.6 L=19.8 H=8.5 typ.(mm) (For detail dimensions, refer to the outline on p.7)

NOTE : Unless condition is specified, above specification is regulated as rating value.

# The Fifth Generation, Ultra Small Size, Isolated DC-DC Converter

**Bellnix®**

**1.5Watt BTA Series**

## 1- Application Range

This datasheet applies to the isolated DC/DC converter, BTA series.

## 2- Model/Rating

Model	Rating Input Voltage	Rating Output	Package
BTA05-03S40D	DC5V	3.3V, 400mA	DIP
BTA05-03S40S			SMD
BTA05-05S30D		5.0V, 300mA	DIP
BTA05-05S30S			SMD
BTA05-12S12D		12V, 125mA	DIP
BTA05-12S12S			SMD
BTA05-12W06D		±12V, each60mA	DIP
BTA05-12W06S			SMD
BTA12-03S40D	DC12V	3.3V, 400mA	DIP
BTA12-03S40S			SMD
BTA12-05S30D		5.0V, 300mA	DIP
BTA12-05S30S			SMD
BTA12-12S12D		12V, 125mA	DIP
BTA12-12S12S			SMD
BTA12-12W06D		±12V, each60mA	DIP
BTA12-12W06S			SMD
BTA24-03S40D	DC24V	3.3V, 400mA	DIP
BTA24-03S40S			SMD
BTA24-05S30D		5.0V, 300mA	DIP
BTA24-05S30S			SMD
BTA24-12S12D		12V, 125mA	DIP
BTA24-12S12S			SMD
BTA24-12W06D		±12V, each60mA	DIP
BTA24-12W06S			SMD
BTA48-03S40D	DC48V	3.3V, 400mA	DIP
BTA48-03S40S			SMD
BTA48-05S30D		5.0V, 300mA	DIP
BTA48-05S30S			SMD
BTA48-12S12D		12V, 125mA	DIP
BTA48-12S12S			SMD
BTA48-12W06D		±12V, each60mA	DIP
BTA48-12W06S			SMD

## 3- Environmental Condition

### 3-1 Temp. range

When Operating : 40°C to 85°C (Derating required from 50°C)

When Storage : -40°C to 85°C

### 3-2 Humidity Range

When Operating : 95%R.H. max. (Max. wet-bulb temp. 38°C, non-condensing)

When storage : 95%R.H. max. (Max. wet-bulb temp. 38°C, non-condensing)

# The Fifth Generation, Ultra Small Size, Isolated DC-DC Converter

**Bellnix®**

## 1.5Watt BTA Series

### 4-Specification

#### 4-1 Input Condition, Output Characteristics

When condition is not mentioned in this data sheet, input is rating input, output is rating output, ambient temp. is 25°C±5°C.

Model *1	Input Voltage (V)	Output Voltage (V) <sup>2</sup>	Output Current (mA)	Max. Output Voltage Constancy.			Output Ripple/Noise *5 (mVp-p)typ./ max.	Efficiency (%)typ.*6
				Input(mV)	Load(mV)	Temp. *4 (mV)		
BTA05-03S40	4.5 to 9	3.3±3%	0 to 400	20	40	80	40 / 120	71
BTA05-05S30		5.0±3%	0 to 300	20	40	80	40 / 120	77
BTA05-12S12		12±3%	0 to 125	40	100	200	30 / 120	80
		15±3%	0 to 100	40	100	200	30 / 120	80
BTA05-12W06		±12±5%	0 to 60 × 2	80	600	300	30 / 120	79
		±15±5%	0 to 50 × 2	80	600	300	30 / 120	79
BTA12-03S40	9 to 18	3.3±3%	0 to 400	20	40	80	40 / 120	73
BTA12-05S30		5.0±3%	0 to 300	20	40	80	40 / 120	78
BTA12-12S12		12±3%	0 to 125	40	100	200	30 / 120	82
		15±3%	0 to 100	40	100	200	30 / 120	82
BTA12-12W06		±12±5%	0 to 60 × 2	80	600	300	30 / 120	81
		±15±5%	0 to 50 × 2	80	600	300	30 / 120	81
BTA24-03S40	18 to 36	3.3±3%	0 to 400	20	40	80	40 / 120	72
BTA24-05S30		5.0±3%	0 to 300	20	40	80	40 / 120	77
BTA24-12S12		12±3%	0 to 125	40	100	200	30 / 120	81
		15±3%	0 to 100	40	100	200	30 / 120	81
BTA24-12W06		±12±5%	0 to 60 × 2	80	600	300	30 / 120	79
		±15±5%	0 to 50 × 2	80	600	300	30 / 120	79
BTA48-03S40	36 to 76	3.3±3%	0 to 400	20	40	80	40 / 120	70
BTA48-05S30		5.0±3%	0 to 300	20	40	80	40 / 120	75
BTA48-12S12		12±3%	0 to 125	40	100	200	30 / 120	80
		15±3%	0 to 100	40	100	200	30 / 120	80
BTA48-12W06		±12±5%	0 to 60 × 2	80	600	300	30 / 120	79
		±15±5%	0 to 50 × 2	80	600	300	30 / 120	79

\*1 Specify the package in column. D: DIP type(Flow)S: SMD type(Reflow)

\*2 Output Voltage includes line regulation, load regulation(Balance Load), temp. regulation.

\*3 2 output type is when 2 output type has same current.

\*4 For temp. regulation -40 to 50°C.

\*5 Bandwidth 20MHz

\*6 When Rating Input Voltage, max. Output Current.

4-2 Capacity of External Capacitor

This product has limit to the capacity of external capacitor. Please refer to the below table.

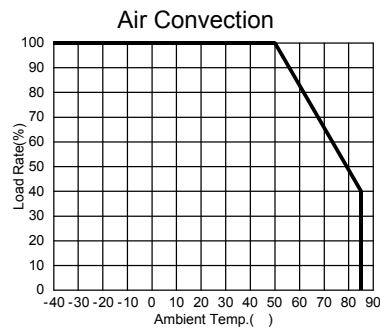
Model	Output External Capacitor Capacity	
	+output side	-output side
BTAXX-03SXXX	0 to 100 $\mu$ F <sup>*1</sup>	—
BTAXX-05SXXX	0 to 100 $\mu$ F <sup>*1</sup>	—
BTAXX-12SXXX	0 to 47 $\mu$ F <sup>*1</sup>	—
BTAXX-12WXXX	0 to 22 $\mu$ F <sup>*2</sup>	0 to 22 $\mu$ F <sup>*3</sup>

\*1 Sum of C2 and C3 in standard connecting circuit in section 6,1

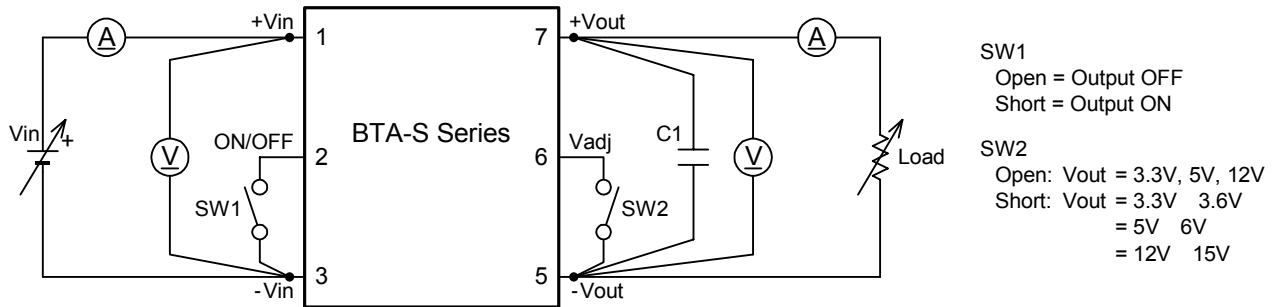
\*2 Sum of C2 and C4 in standard connecting circuit in section 6,2

\*3 Sum of C3 and C5 in standard connecting circuit in section 6,2

4-3 Temp. Derating



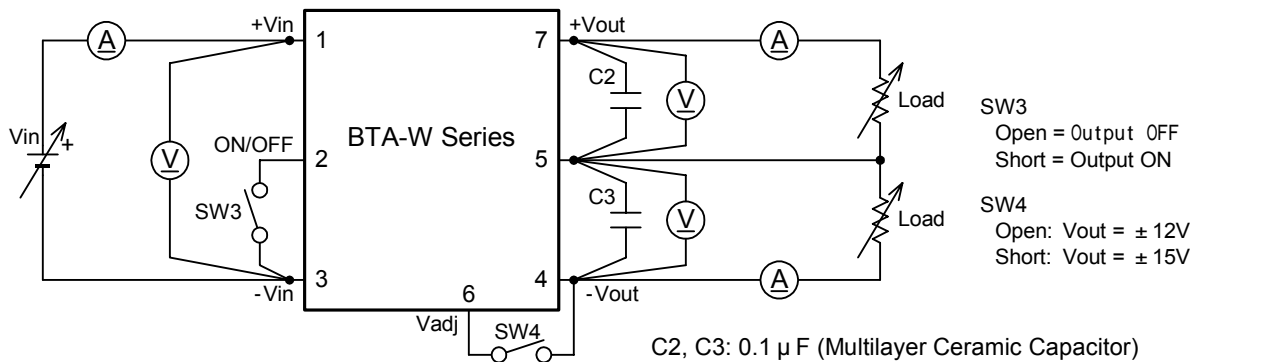
4-4 Measurement Circuit



SW1  
Open = Output OFF  
Short = Output ON

SW2  
Open: Vout = 3.3V, 5V, 12V  
Short: Vout = 3.3V 3.6V  
= 5V 6V  
= 12V 15V

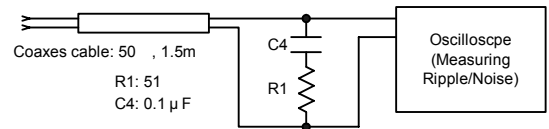
C1: 0.1 μ F (Multilayer Ceramic Capacitor)



SW3  
Open = Output OFF  
Short = Output ON

SW4  
Open: Vout = ± 12V  
Short: Vout = ± 15V

C2, C3: 0.1 μ F (Multilayer Ceramic Capacitor)



4-5 Additional Function

Article	Specification/Standardization	Condition
Over Current Protection Circuit	Operates above 105%, Auto-recovery type	
Over Voltage Protection Circuit	None	
Low Input Voltage Protection Function	Available	
Output Voltage Adjustable Range	3.15 to 3.6V(BTAXX-03SXXX) 4.75 to 6.0V(BTAXX-05SXXX) 11.4 to 15V(BTAXX-12SXXX) ±11.4 to ±15V(BTAXX-12WXXX)	By External Resistor. Refer to 7-2
ON/OFF Control	Output ON at Low(0 - 0.4V) Output OFF at open	Refer to 7-1

4-6 Isolation Voltage , Isolation Resistance

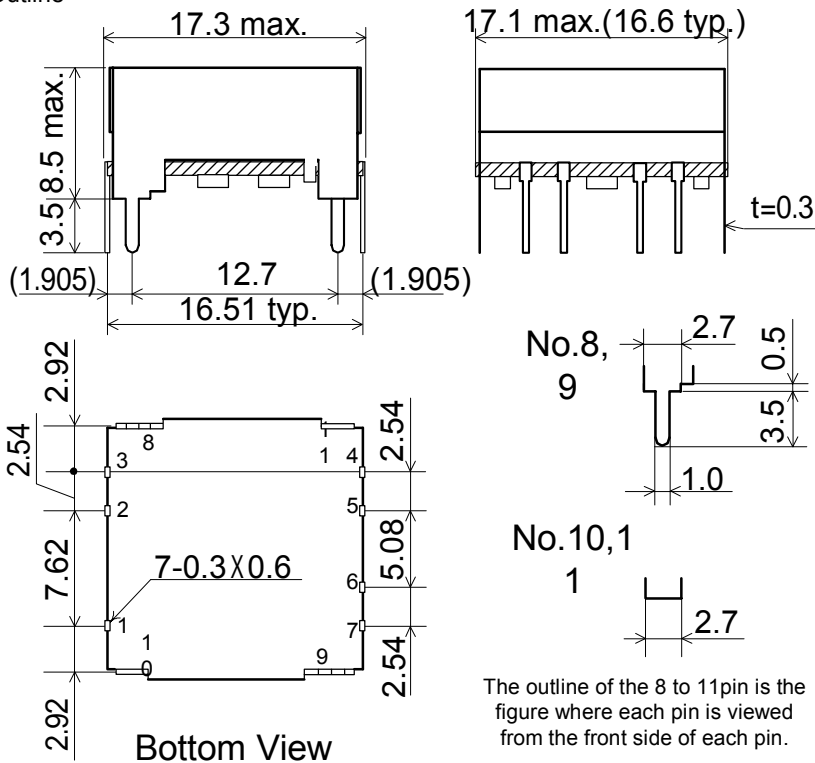
1- Isolation Voltage

Input - Output , Input - Case , Output - Case : AC500V , 1min.

2- Isolation Resistance

Input - Output , Input - Case , Output - Case : Over 50M (At DC500V)

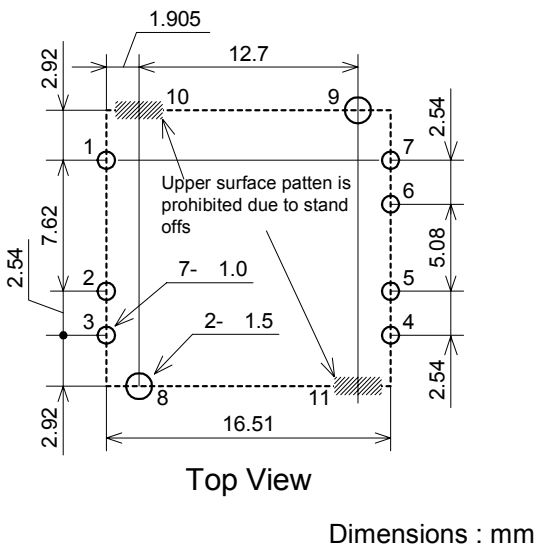
5. Outline and Pin  
5-1 DIP type  
1- Outline



Dimensions : mm  
Tolerance unless otherwise specified : ±0.5

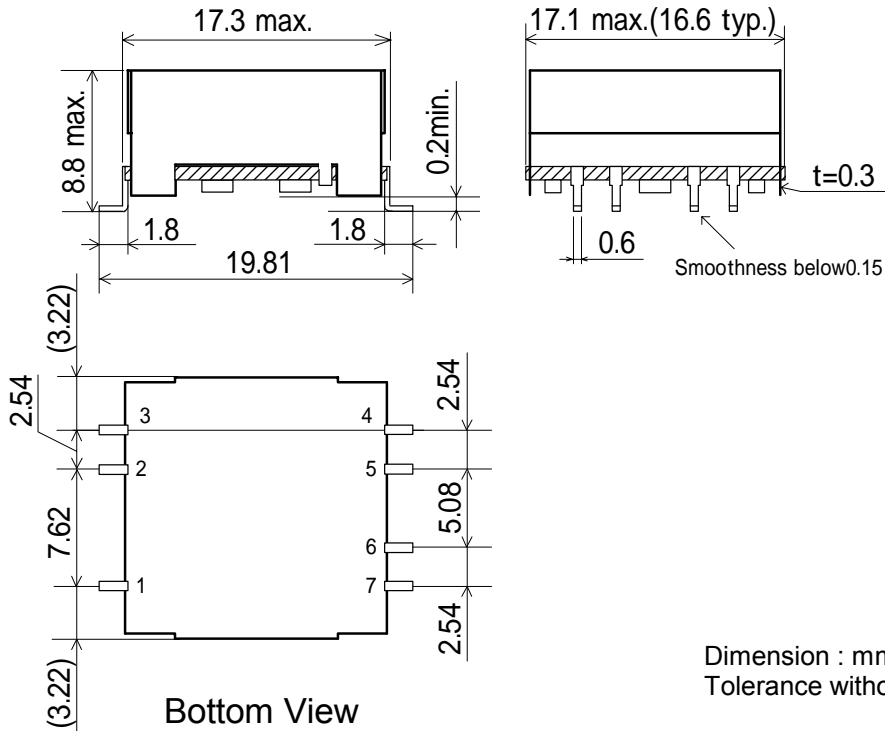
Model name and Manufacturing LOT no. is indicated on upper side.

2- Recommended dimension of the board , Pin function



Pin	Function	
	BTA-S	BTA-W
1	+Vin	+Vin
2	ON/OFF	ON/OFF
3	-Vin	-Vin
4	NC	-Vout
5	-Vout	Common
6	Vadj	Vadj
7	+Vout	+Vout
8, 9	Connected to Case	Connected to Case
10, 11	Stand off	Stand off

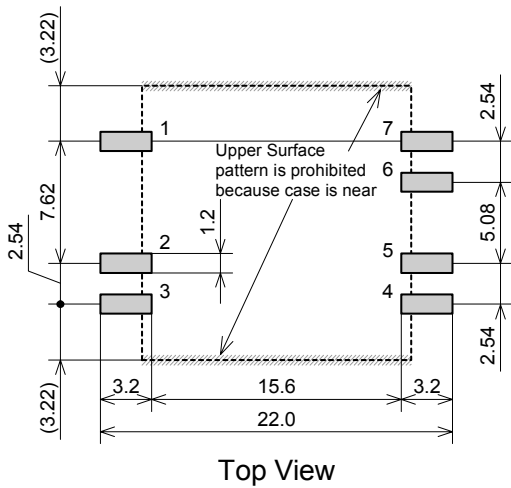
5-2 SMD type  
1-Outline



Dimension : mm  
Tolerance without otherwise specified :  $\pm 0.5$

Model name and Manufacturing LOT no. is indicated on upper side.

2- Recommended dimension of the board , Pin function

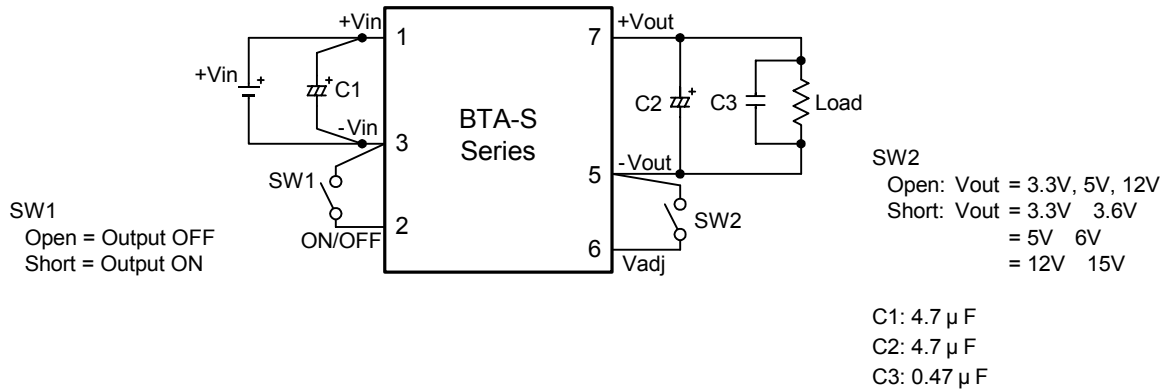


Dimension : mm

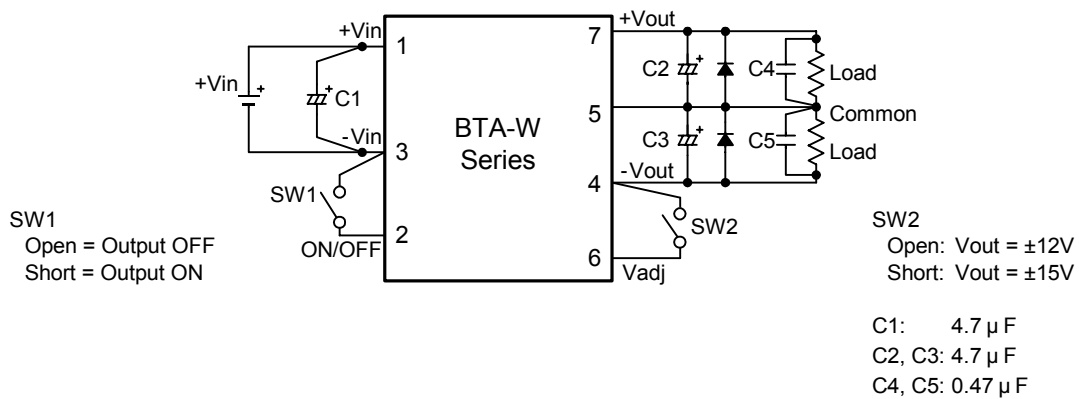
Pin	Function	
	BTA-S	BTA-W
1	+Vin	+Vin
2	ON/OFF	ON/OFF
3	-Vin	-Vin
4	NC	-Vout
5	-Vout	Common
6	Vadj	Vadj
7	+Vout	+Vout



6. Standard Connection Circuit  
1-BTA-S Series



2-BTA-W Series



7. Function $\pm$

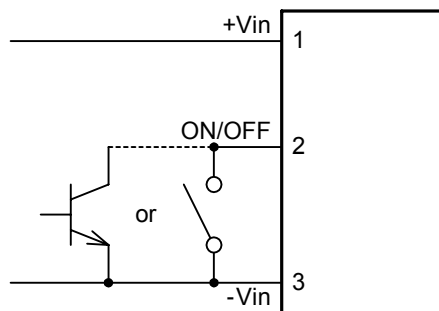
7-1 ON/OFF Control

By using ON/OFF Control, output voltage can be ON/OFF controlled without charging or discharging input.

Between -Vin pin (Pin3) and ON/OFF pin (Pin2)

Low (0 - 0.4V 1mA max.): Output ON

Open (Max. +Vin voltage will generate) : Output OFF



### 7-2 Adjustable Output Voltage

Output voltage can be set as follow when Vadj pin and -Vout pin is short.  
Please open this pin when not adjusting the output voltage.

Output voltage to connection of Vadj pin

Model	Open	-Vout and Short
BTAXX-03SXXX	3.3V	3.6V
BTAXX-05SXXX	5.0V	6.0V
BTAXX-12SXXX	12V	15V
BTAXX-12WXXX	±12V	±15V

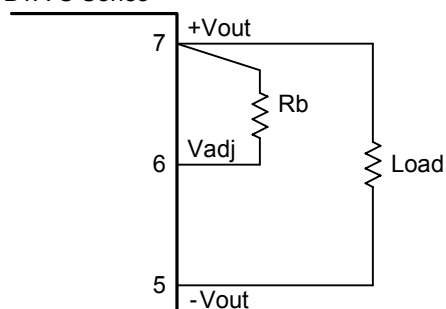
Output voltage is adjustable by connecting resistor between Vadj pin and +Vout pin. (Or between Vadj pin and -Vout pin)

Note : When adjusting the output voltage, please operate below max. power

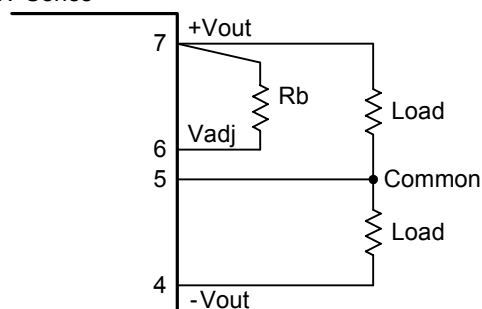
#### 7-2-1 To lower the output voltage

Output voltage can be lowered by connecting resistor Rb between Adjustable Output Pin (Vadj) and Plus Output Pin (+Vout). Calculation is as below. (Unit of Rb is [kΩ]).

BTA-S Series



BTA-W Series



Output Voltage : Vo[V] , Connecting resistor : Rb[kΩ]

#### BTAXX-03SXXX

$$V_o = 1.26 \times (91.5 + 2.62 R_b) / (39.6 + R_b)$$

$$R_b = (39.6 V_o - 115.3) / (3.30 - V_o)$$

Adjustable range is up to 3.15V. ( Rb 62 )

#### BTAXX-05SXXX

$$V_o = 1.26 \times (84.8 + 3.98 R_b) / (31.8 + R_b)$$

$$R_b = (31.8 V_o - 106.85) / (5.01 - V_o)$$

Adjustable range is up to 4.75V. ( Rb 160 )

#### BTAXX-12SXXX

$$V_o = 1.26 \times (201 + 9.53 R_b) / (57 + R_b)$$

$$R_b = (57 V_o - 253.26) / (12.01 - V_o)$$

Adjustable range is up to 11.4V. ( Rb 620 )

#### BTAXX-12WXXX

$$V_o = \{1.26 \times (429 + 19.1 R_b) / (103 + R_b)\} / 2$$

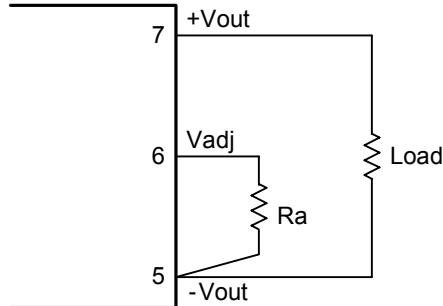
$$R_b = (206 V_o - 540.54) / (24.07 - 2 V_o)$$

Adjustable range is up to ±11.4V. (Rb 1500)

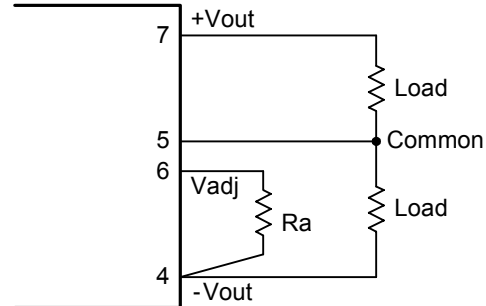
7-2-2 To raise the output voltage

Output voltage can be raised by connecting resistor Ra between Adjustable Output Pin (Vadj) and Minus Output Pin (-Vout). (Unit for Ra is[kΩ])

BTA-S Series



BTA-W Series



Output Voltage : Vo[V] , Connecting resistor : Ra[kΩ]

BTAXX-03SXXX

$$Vo = 1.26 \times (91.5 + 2.62 Ra) / (32 + Ra)$$

$$Ra = (115.3 - 32 Vo) / (Vo - 3.30)$$

BTAXX-05SXXX

$$Vo = 1.26 \times (84.8 + 3.98 Ra) / (17.8 + Ra)$$

$$Ra = (106.85 - 17.8 Vo) / (Vo - 5.01)$$

BTAXX-12SXXX

$$Vo = 1.26 \times (201 + 9.53 Ra) / (16.9 + Ra)$$

$$Ra = (253.26 - 16.9 Vo) / (Vo - 12.01)$$

BTAXX-12WXXX

$$Vo = \{1.26 \times (429 + 19.1 Ra) / (18 + Ra)\} / 2$$

$$Ra = (540.54 - 36 Vo) / (2 Vo - 24.07)$$

7-3 Output Over Current Protection Function

Output voltage will be lowered when output current is in state of over current and start operating over current protection circuit. (Over current protection set point : 105 to 250% of rating current value)

It will automatically recover when over current state is released. In order to avoid from damage, please do not hold the over current state for more than 30sec.

If by any reason does not auto recover after releasing, please off the output at ON/OFF control or switch off to reactivate.

7-4 Low Input Voltage Protection Function

This product builds in low input voltage protection function to avoid malfunction at low input voltage. Commencing operation and termination voltage range is within the below table.

Model	Commencing operation Termination Voltage
BTA05	3.0 to 4.5V
BTA12	6.0 to 9.0V
BTA24	13 to 18V
BTA48	27 to 36V

7-5 Input Circuit Protection Function

Fuse is built in at input in order to protect circuit at secondary side when overcurrent flows to input by some abnormalities.

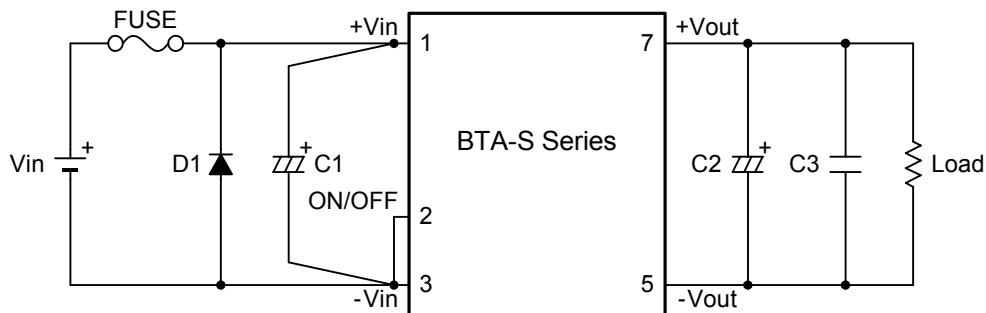
Rating current and fusing current of the Built-in fuse is as below table. To assure fusing at abnormality, current capacity of power supply should be more than fusing current which is stated in below table.

Model	Rating Current	Fusing Current
BTA05	1.25A	Above 2.5A
BTA12	0.75A	Above 1.5A
BTA24	0.75A	Above 1.5A
BTA48	0.75A	Above 1.5A

8. An example method to prevent inverse connection of input power supply.

This product will be damaged when input polarity is connected reversely. Please add protection circuit when connection may be reversed.

Below diagram is an example of using fuse and diode.



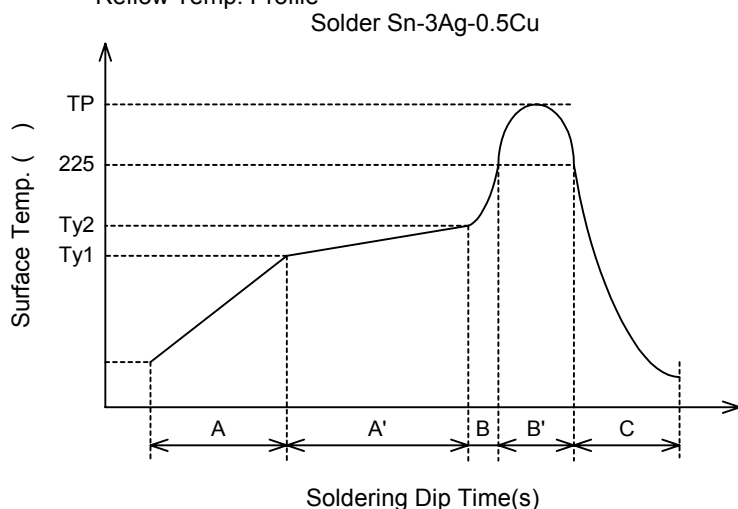
9. Soldering Conditions

Soldering is to be executed under the following conditions.

1- Soldering Iron (DIP Type, SMD Type)  
380°C 3sec.

2- Soldering Dip (DIP type)  
260°C 10sec.

3- Reflow (SMD type)  
Reflow Temp. Profile



A	1.0 to 3.0 /s
A'	Ty1: 150±10 Ty2: 170±10 Ty1 to Ty2: 40 to 100s
B	1.0 to 4.0 /s
B'	TP: 245 max. Above 225 : 20 to 40s
C	1.0 to 5.0 /s

Do not vibrate the product during reflow.  
Reflow can be done only once. (Please do not mount backside.)  
NOTE: Eutectic soldering can be used within condition as above.

10. Material of Pin and case

Pin : Phosphor bronze (Ni Foundation Sn Plating)  
Case : SPCC (Ni Plating)

11. Vibration / Shock Test

Vibration : 10 to 55Hz All Amplitude 1.52mm-p (2 hours in each of 3 orthogonal axes)  
Scanning time 15min.

Shock : Acceleration 100G (3 times in each of 3 orthogonal axes, Total 18 times )  
Duration 6ms

12. Cleaning Condition

This product can not be washed whole. No clean solder paste is recommended for this product. When and if cleaning should be necessary only for DIP type, use IPA and hand-wash only soldered surface by brush cleaning. After cleaning be sure to dry up before using.

13. Environmental Compliance

This product is RoHS compliance.

Halogen free material is used for PCB.

{Note} RoHS Compliance : Based on EU Directive2002/95/EC.

14. Precautions

-This product intends to be used for general electronic equipments (Clerical work machines, Telecommunications equipments, and Measurement equipments). Therefore, do not use for medical equipments, nuclear power equipments, and trains, etc. the malfunction and damage of which may influence directly to human life and property. Please confirm when using it in the case except general electronic equipment.

-For this product, parallel operation is not possible.

-For mounting this product, please do not use connector or socket. The performance may not be fulfilled by the effect of contacting resistor. Please mount to PCB by soldering.

-This product has a built-in over-current, short protection, but long time short circuit will cause failure, so avoid it.

-The product may be damaged if it is used under nonstandard electric and environmental conditions such as temperature. Please be sure to keep the standards.

-Do not store in a place where corrodible gas may be generated or at a dusty place.

-The soldering may degrade, so be careful when safekeeping in a place with high-temperature, humidity and rapid temperature change for more than 1 year.

-There is a possibility of damage by static. When the worker has electrified static, please earth discharge and working on an earthed worktable will be recommended.

-This product does not have a built in over voltage protection.

-No test certificate is attached to this product.

15. Guarantee

This product shall be guaranteed for 5 years. During this period, if there should be any failure definitely due to our designing or manufacturing workmanship, we will repair or replace it with new one at our own expense. But in case that it should be modified and/or made internal remodeling by buyer itself whatsoever, we can not guarantee it.

This guarantee shall cover only 1.5Watt BTA series.