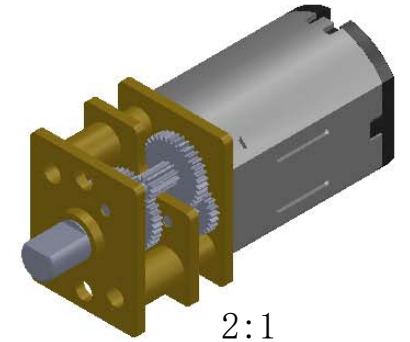


Characteristics/主要技术特性参数:

| Item/项目 | Voltage/电压 | No-load speed/空载转速 | No-load current/空载电流 | Terminal resistance/端电阻 | Load torque/额定负载 | Load speed/负载转速 | Load current/负载电流 | Reduction ratio/减速比 | Max Rated torque/最大额定容许扭力 | Max momentary torque/最大瞬间容许扭力 |
|---------|------------|--------------------|----------------------|-------------------------|------------------|-----------------|-------------------|---------------------|---------------------------|-------------------------------|
| UNIT/单位 | V          | RPM                | mA                   | Ω                       | gf. cm           | RPM             | mA                |                     | gf. cm                    | gf. cm                        |
| Date/数值 | 6.0        | 230±15%            | 80 Max               | 46.5±15%                | —                | —               | —                 | 36/1                | 300                       | 900                           |



- 技术要求:
- 1、Unit/单位: mm;
  - 2、未注尺寸公差按: DIN ISO 2768-m T1 and T2;
  - 3、符合欧盟ROHS最新指令要求, 具体限值要求详见我司最新版《符合产品环境管理物质保证书》。

|         |     |                 |          |      |                                   |     |       |       |                 |  |
|---------|-----|-----------------|----------|------|-----------------------------------|-----|-------|-------|-----------------|--|
|         |     |                 |          |      | 图面番号<br>C1224-230-6.0-12MS36-0216 |     |       |       | Outline Drawing |  |
| REV     | QTY | document number | SIGN     | Date | Marking                           | qty | Wight | scale |                 |  |
| Design  | 黄水辉 | 2019/06/27      | Standard |      |                                   | 1   |       | 3:1   |                 |  |
| Check   | 邱传松 | 2019/06/27      | Process  |      |                                   |     |       |       |                 |  |
| Approve |     |                 | REV      | 01   | page 1/1                          |     |       |       |                 |  |
|         |     |                 |          |      |                                   |     |       |       |                 |  |