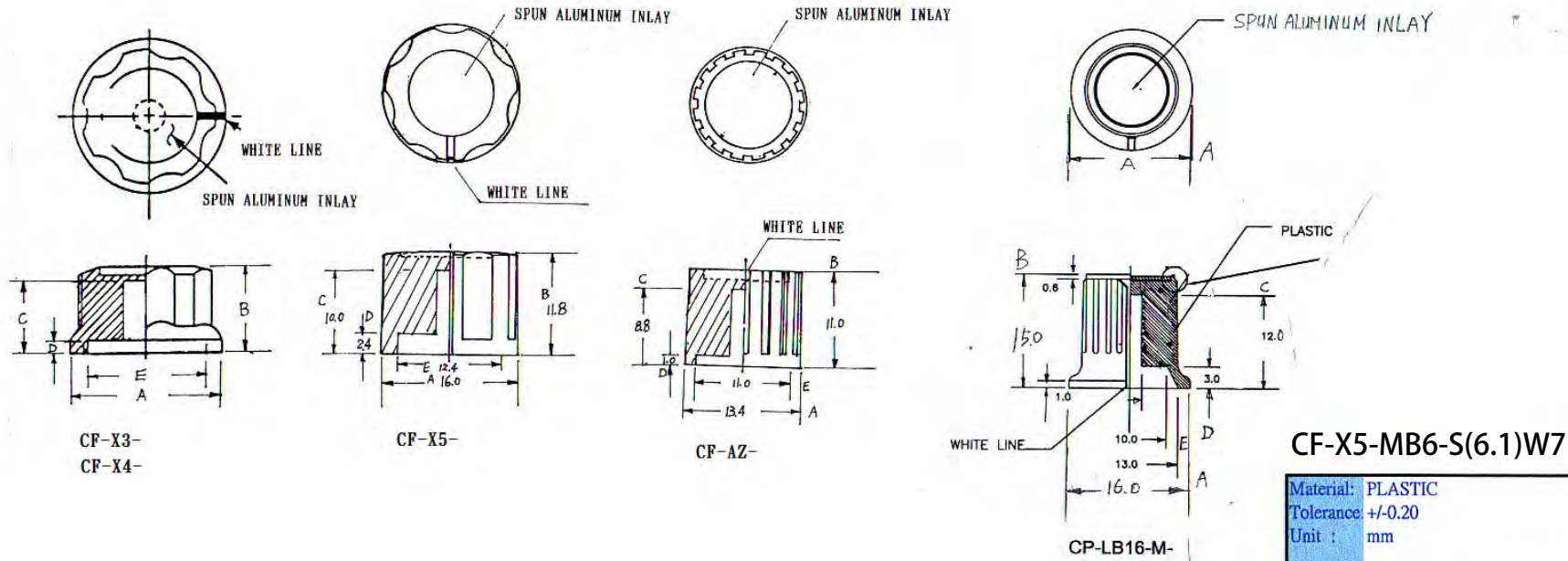


P/N	A	B	C	D	E
CF-X1-M-	45.0	20.3	18.5	4.5	33.9
CF-X2-M-	33.0	16.2	13.5	4.5	25.0
CF-X3-M-	27.0	16.0	13.8	3.8	21.7
CF-X4-M-	20.0	12.0	10.0	1.8	13.8
CF-X5-M-	16.0	11.8	10.0	2.4	12.4
CF-AZ-M-	13.4	11.0	8.8	1.0	11.0
CP-LB16-M-	16.0	15.0	12.0	3.8	12.0

Shaft
 6.4/6.1/6.0/T18
 6.4/6.1/6.0/T18
 6.4/6.1/6.0/T18
 6.4/6.1/6.0/T18
 6.4/6.1/6.0/T18
 6.4/6.1/6.0/T18
 6.4/6.1/6.0/T18



P/N:		
	M	SERIES
Date:	1-Sep-07	