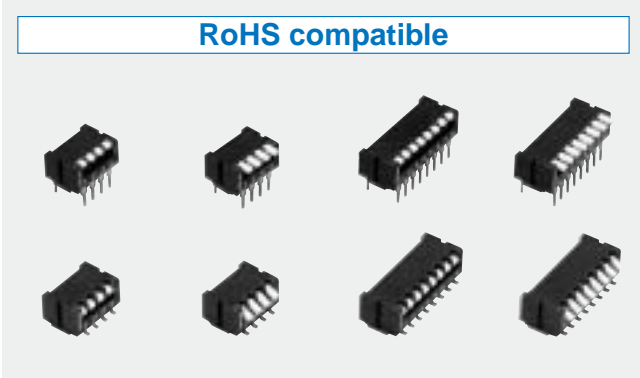


CFP

PIANO SWITCHES (FULL PITCH)

RoHS compatible



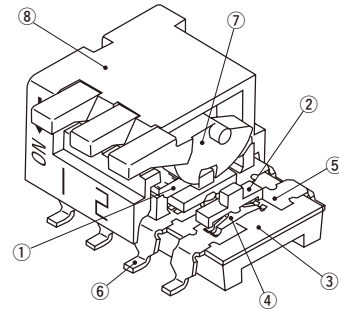
FEATURES

- Lead-free soldering
- High-reliability

APPLICATIONS

- Communication devices, Air-conditioning equipment, Vending machines and various control equipment

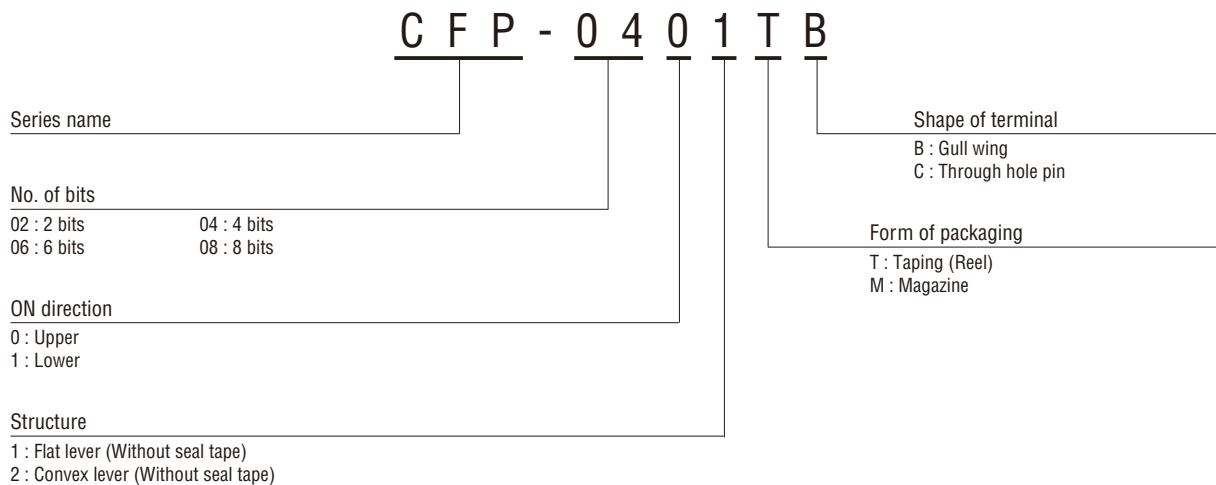
INTERNAL STRUCTURE



Part name	Material	Flammability
① Cover	PPS (Polyphenylenesulphide)	UL-94V-0
② Slider	PA (Polyamide)	
③ Housing	PPS (Polyphenylenesulphide)	
④ Slider contact	Copper alloy, Gold-plated	-
⑤ Fixed contact		
⑥ Terminal pin		
⑦ Piano lever	PA (Polyamide)	UL-94V-0
⑧ Piano cover	PPS (Polyphenylenesulphide)	

CFCs, Halon, Carbon tetrachloride and designated bromic flame retardant PBBs and PBBs are not used in our products.

PART NUMBER DESIGNATION



✳ Please refer to the LIST OF PART NUMBERS when placing orders.

CFP
PIANO SWITCHES (FULL PITCH)

LIST OF PART NUMBERS

No. of bits	ON direction	Structure	Form of packaging	Shape of terminals		Pieces in package
				B (Gull wing)	C (Through hole pins)	
2	Upper	Flat lever (without seal tape)	Taping	CFP-0201TB		500 pcs./reel
			Magazine	CFP-0201MB	CFP-0201MC	62 pcs./stick
		Convex lever (without seal tape)	Taping	CFP-0202TB		500 pcs./reel
			Magazine	CFP-0202MB	CFP-0202MC	62 pcs./stick
	Lower	Flat lever (without seal tape)	Taping	CFP-0211TB		500 pcs./reel
			Magazine	CFP-0211MB	CFP-0211MC	62 pcs./stick
		Convex lever (without seal tape)	Taping	CFP-0212TB		500 pcs./reel
			Magazine	CFP-0212MB	CFP-0212MC	62 pcs./stick
4	Upper	Flat lever (without seal tape)	Taping	CFP-0401TB		500 pcs./reel
			Magazine	CFP-0401MB	CFP-0401MC	36 pcs./stick
		Convex lever (without seal tape)	Taping	CFP-0402TB		500 pcs./reel
			Magazine	CFP-0402MB	CFP-0402MC	36 pcs./stick
	Lower	Flat lever (without seal tape)	Taping	CFP-0411TB		500 pcs./reel
			Magazine	CFP-0411MB	CFP-0411MC	36 pcs./stick
		Convex lever (without seal tape)	Taping	CFP-0412TB		500 pcs./reel
			Magazine	CFP-0412MB	CFP-0412MC	36 pcs./stick
6	Upper	Flat lever (without seal tape)	Taping	CFP-0601TB		500 pcs./reel
			Magazine	CFP-0601MB	CFP-0601MC	26 pcs./stick
		Convex lever (without seal tape)	Taping	CFP-0602TB		500 pcs./reel
			Magazine	CFP-0602MB	CFP-0602MC	26 pcs./stick
	Lower	Flat lever (without seal tape)	Taping	CFP-0611TB		500 pcs./reel
			Magazine	CFP-0611MB	CFP-0611MC	26 pcs./stick
		Convex lever (without seal tape)	Taping	CFP-0612TB		500 pcs./reel
			Magazine	CFP-0612MB	CFP-0612MC	26 pcs./stick
8	Upper	Flat lever (without seal tape)	Taping	CFP-0801TB		500 pcs./reel
			Magazine	CFP-0801MB	CFP-0801MC	20 pcs./stick
		Convex lever (without seal tape)	Taping	CFP-0802TB		500 pcs./reel
			Magazine	CFP-0802MB	CFP-0802MC	20 pcs./stick
	Lower	Flat lever (without seal tape)	Taping	CFP-0811TB		500 pcs./reel
			Magazine	CFP-0811MB	CFP-0811MC	20 pcs./stick
		Convex lever (without seal tape)	Taping	CFP-0812TB		500 pcs./reel
			Magazine	CFP-0812MB	CFP-0812MC	20 pcs./stick

☐ : Not manufactured

※ : Verify the above part numbers when placing orders.

Taping and magazine version can be supplied only in reel or stick units.

CFP
PIANO SWITCHES (FULL PITCH)

STANDARD SPECIFICATIONS

Operating temp. range	- 40 ~ 85 °C
Storage temp. range	
Sealing	Non-washable
Net weight	Approx. 0.55 g (CFP-02) Approx. 0.86 g (CFP-04) Approx. 1.19 g (CFP-06) Approx. 1.54 g (CFP-08)

ELECTRICAL CHARACTERISTICS

Contact rating Non-switching Switching Minimum	DC50 V 100 mA DC6 V, 100 mA DC24 V, 25 mA DC20 mV 1 μA
Contact resistance	50 mΩ maximum
Insulation resistance	1000 MΩ (DC100 V) minimum
Dielectric strength	AC500 V, 60 s

MECHANICAL CHARACTERISTICS

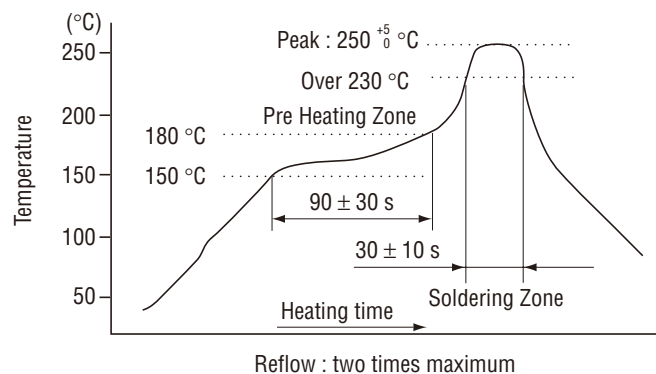
Operation angle	21 °
Operation force	7 N (0.71 kgf) maximum
Stop strength	10 N (1.02 kgf) 60 s
Solderability	245 ± 3 °C, 2 ~ 3 s
Soldering heat	Flow : 260 ± 3 °C, 5 ~ 6 s, two times maximum Reflow : 255 °C (Peak temperature) (Please refer to the profile below) Manual soldering : 350 ± 10 °C, 3 ~ 4 s
Shear (Adhesion)	5 N (0.51 kgf) 10 s
Substrate bending	Width 90 mm, bend 3 mm, 5 s, 1 time
Pull-off strength	5 N (0.51 kgf) 10 s

ENVIRONMENTAL CHARACTERISTICS

Vibration	Amplitude 1.5 mmor Acceleration 98 m/s ² , 10-500 Hz, 3 directions for 10 cycles each
Shock	490 m/s ² , 11 ms 6 directions for 3 times each
Load life	Continuous load 1000 cycles, DC6 ± 0.5 V, 100 ± 10 mA
Humidity	-10 ~ 65 °C, Relative humidity 0 ~ 96 %, 24 h for 10 cycles
High temp. exposure	85 °C, 96 h
Low temp. exposure	-40 °C, 96 h
Thermal shock	-40 (0.5 h) ~ 85 °C (0.5 h), 5 cycles

{ } : Reference only

Reflow profile for soldering heat evaluation

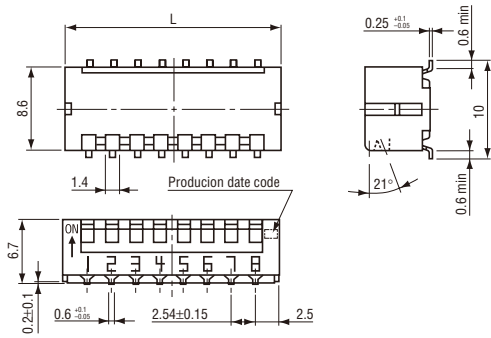


CFP
PIANO SWITCHES (FULL PITCH)

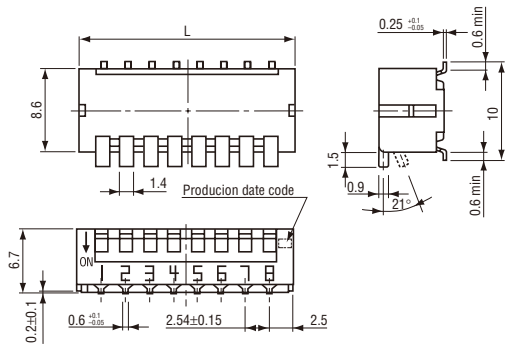
OUTLINE DIMENSIONS

Unless otherwise specified, tolerance : ± 0.3 (Unit : mm)

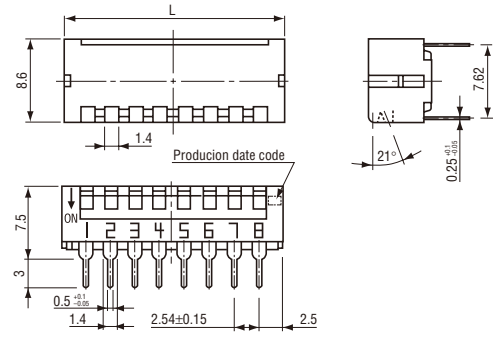
● Flat lever, Gull wing



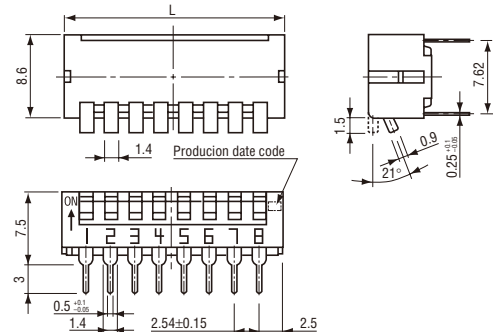
● Convex lever, Gull wing



● Flat lever, Through hole pin



● Convex lever, Through hole pin

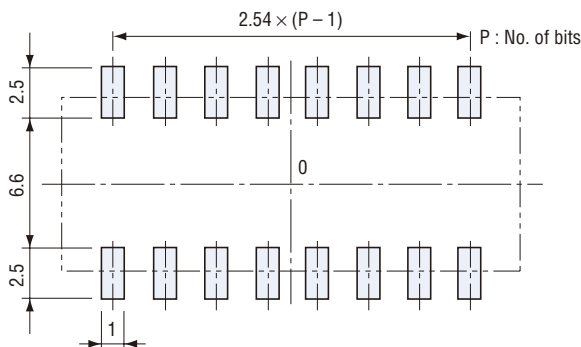


Part number	Schematic	No. of bits.	L dimension
CFP-02		2	7.5
CFP-04		4	12.6
CFP-06		6	17.7
CFP-08		8	22.8

Part number	Schematic	No. of bits.	L dimension
CFP-02		2	7.5
CFP-04		4	12.6
CFP-06		6	17.7
CFP-08		8	22.8

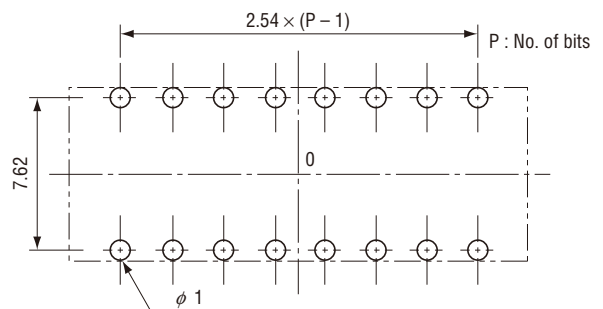
RECOMMENDED P.C.B. PAD DIMENSIONS

(Unit : mm)



SIZE OF P.C.B. PROCESSING

(Unit : mm)



CFP
PIANO SWITCHES (FULL PITCH)

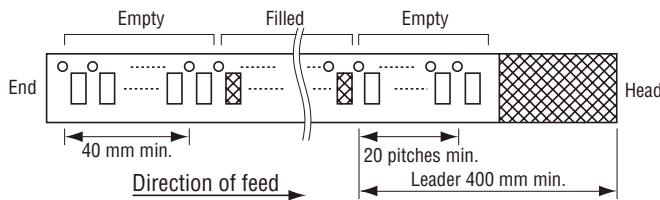
PACKAGING SPECIFICATIONS

<Taping packaging specifications>

- Taping version are packaged in 500 pcs. per reel. Orders will be accepted for units of 500 pcs., i.e., 500, 1000, 1500 pcs., etc.
- Taping version is boxed with two reels.

Maximum number of consecutive missing pieces = 2
Leader length and reel dimension are shown in the diagrams below:

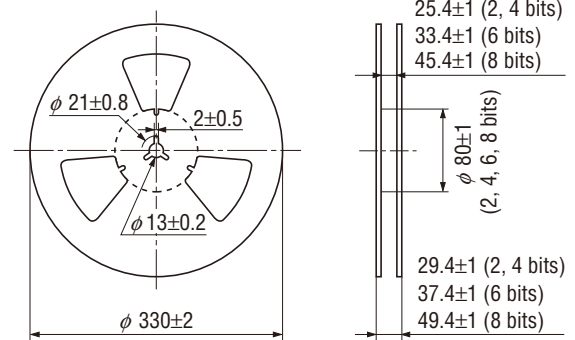
● Embossed tape dimensions



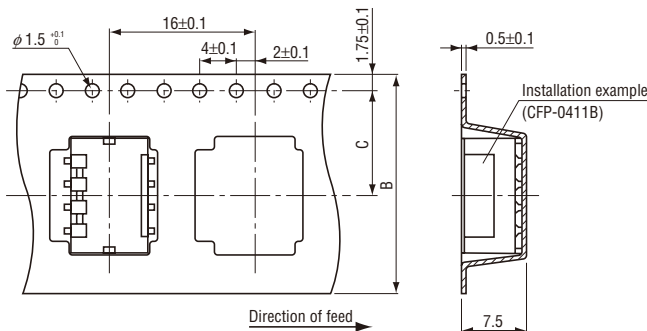
● Reel dimensions

(Unit: mm)

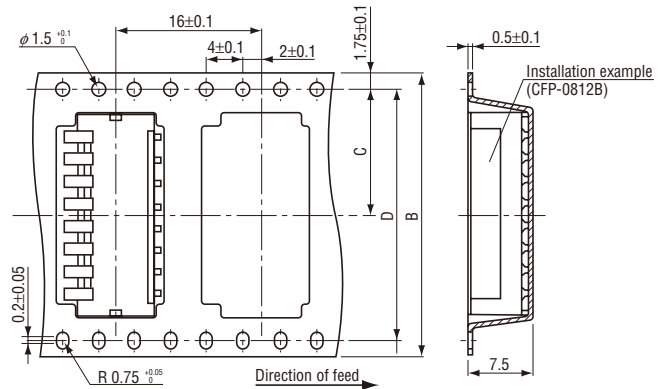
(Conforms to JIS C 0806-3)
(In accordance with EIAJ ET-7200A)



● 2 bits, 4 bits



● 6 bits, 8 bits



No. of bits	B	C	D
2, 4	24	11.5 ± 0.1	—
6	32	14.2 ± 0.1	28.4 ± 0.1
8	44	20.2 ± 0.1	40.4 ± 0.1

<Magazine packaging specifications>

- Packing quantities of magazines are different depending on the bit number of the switches. Please order the multiple numbers of the specific packing quantities. (e.g. 62 pcs., 124 pcs., 186 pcs., etc., in case of 4 bits version)

Pieces in package : 2 bits, 62 pcs./stick
4 bits, 36 pcs./stick
6 bits, 26 pcs./stick
8 bits, 20 pcs./stick