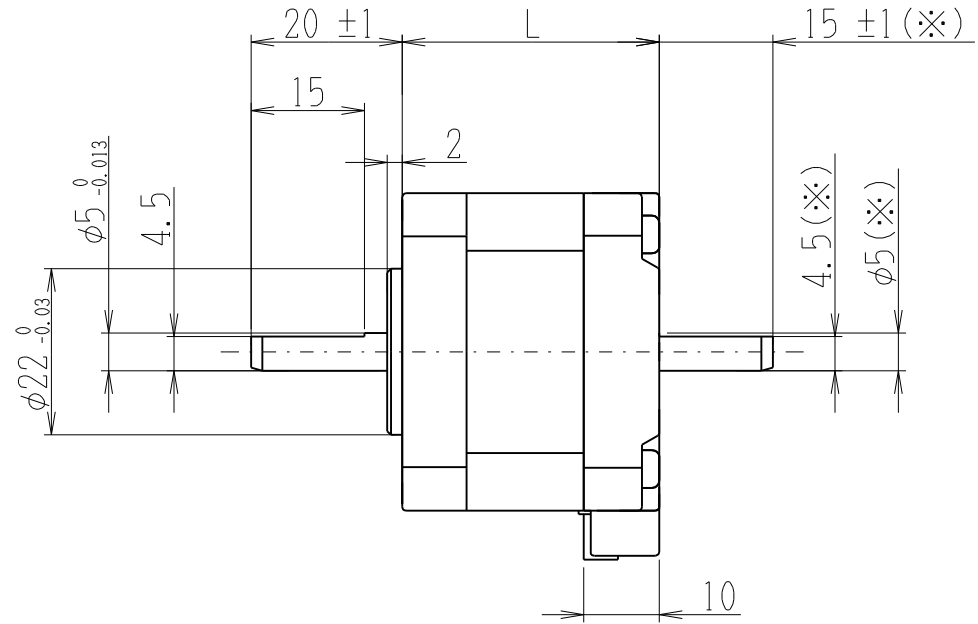
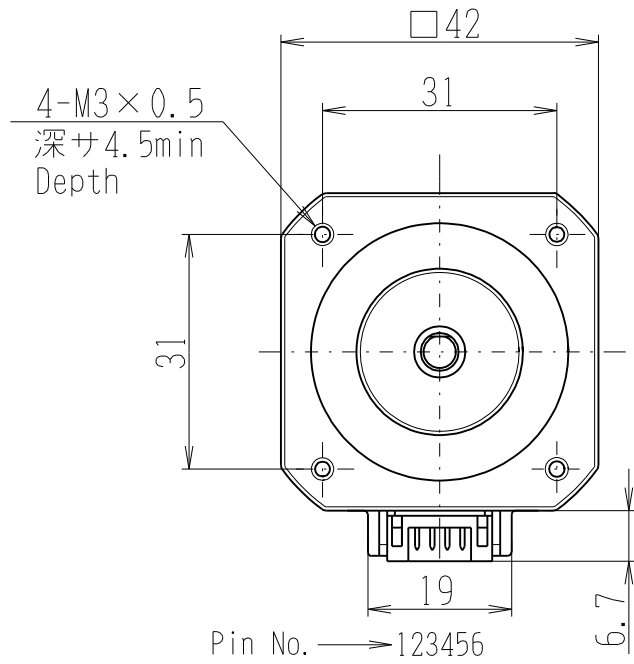


(C)Shinano Kenshi Co., Ltd. All rights reserved.



※両軸タイプのみの寸法です  
Dimensions apply to double shaft models.

Header	JST:S 6B-PH-K-S
Mating connector	JST:PHR-6

品名 Model No.	モータ長L(mm) Motor length
PMSA-U42D1	34.0
PMSA-U42D2	40.0
PMSA-U42D3	47.5