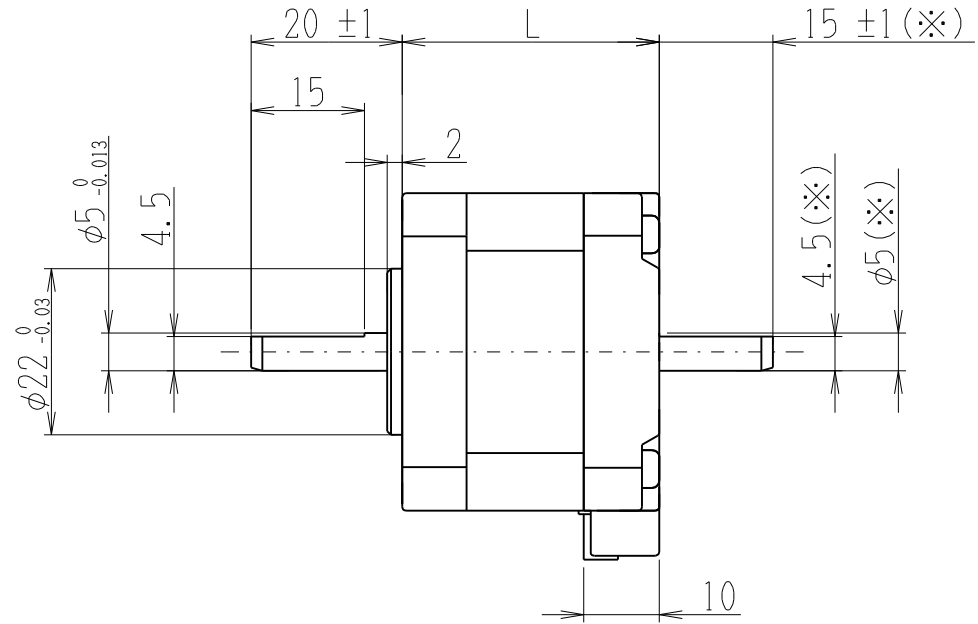
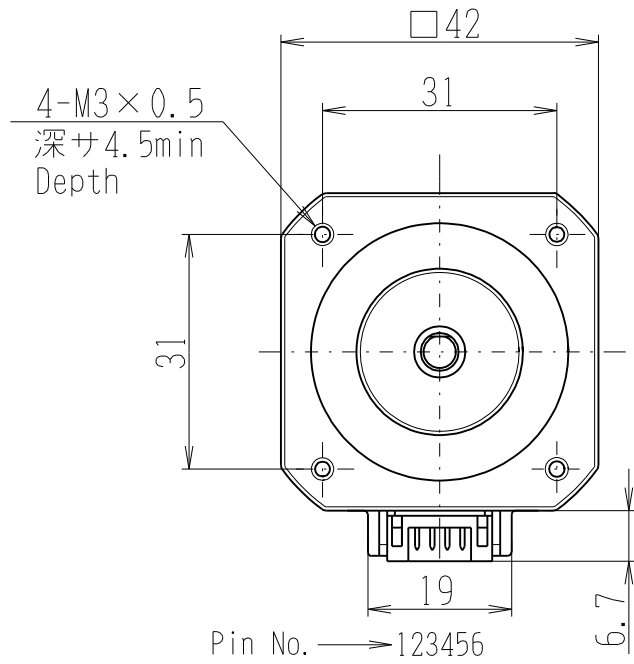


(C)Shinano Kenshi Co., Ltd. All rights reserved.



※両軸タイプのみの寸法です
Dimensions apply to double shaft models.

| | |
|------------------|-----------------|
| Header | JST:S 6B-PH-K-S |
| Mating connector | JST:PHR-6 |

| 品名 Model No. | モータ長L(mm) Motor length |
|-----------------|---------------------------|
| PMSA-U42D1 | 34.0 |
| PMSA-U42D2 | 40.0 |
| PMSA-U42D3 | 47.5 |