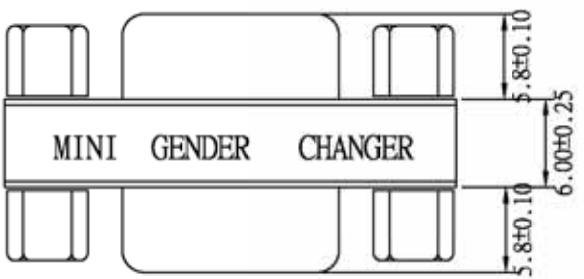
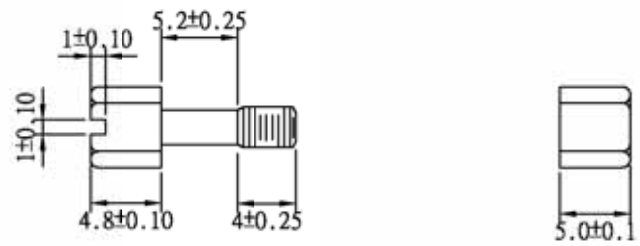
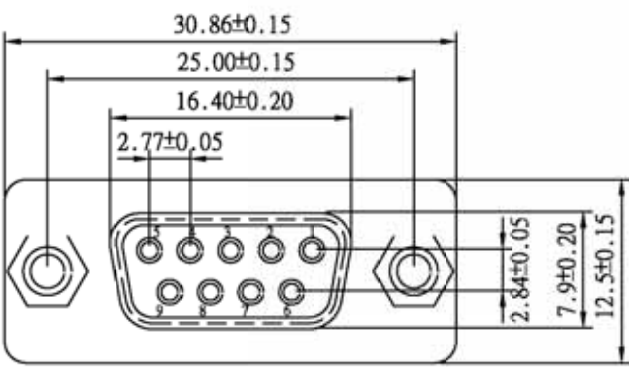
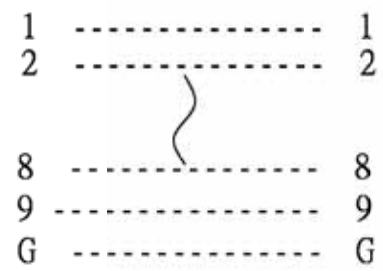


UNC #4-40 Hexscrew      UNC #4-40 Hexnut



DB 09 F/F GENDER CHANGER  
PIN OUT: 9Female      9Female



Label: yellow color with black charactor  
 One side: MINI GENDER CHANGER  
 The other side: U.S.A. PATENT 5199906 GENDER CHANGER  
 SPECIFICATION  
 INSULATOR: PBT Glass fibre reinforced UL 94 VO  
 CONTACT: Brass  
 CONTACT PLATING: Gold plated over nickel  
 SHELL: Tin Plated Shell (Nickel Silver)  
 CURRENT RATING: 3 AMP  
 DIELECTRIC STRENGTH: 1000V AC for one minute  
 INSULATOR RESISTANCE: 1000MΩ min at 500V DC  
 TEMPERATURE: -55°C—+105° C

DBX2-FS-0909-LF  
LEADFREE

RoHS Compliant

PART NO. DBX2-FS-0909				TOLERANCES ARE X ± 0.2 XX ± XXX ± AWG		DESCRIP TION: <b>DBX2-FS-0909-LF</b>					
DWG NO. DBX2-FS-0909		CHECKED BY CY									
FILE NO.		DRAWING BY		AREA		REVISIONS		HK		DATE	
UNIT / mm	SCALE 1:1	PROJECTION									