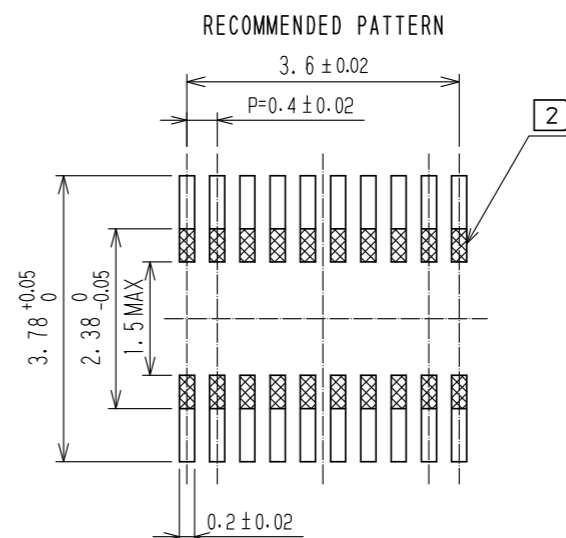
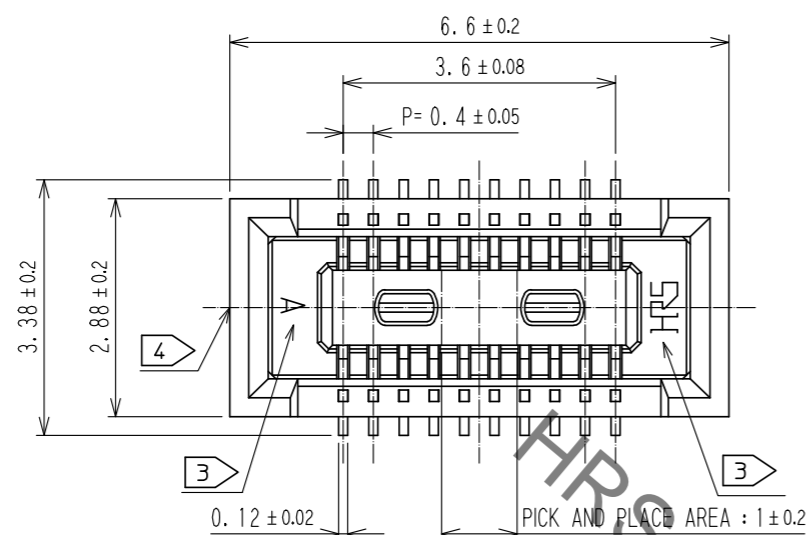
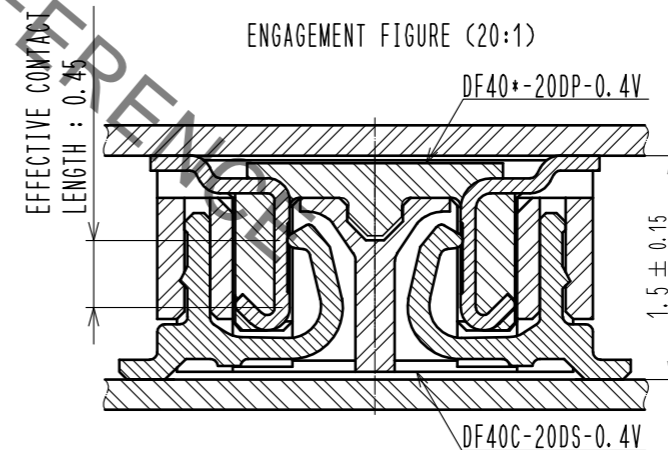
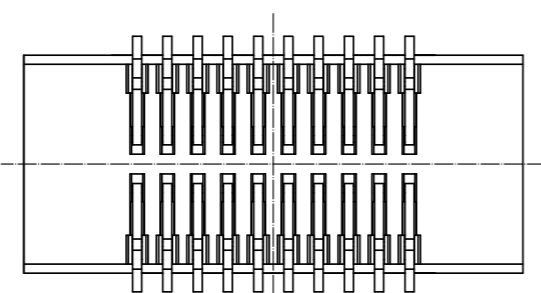
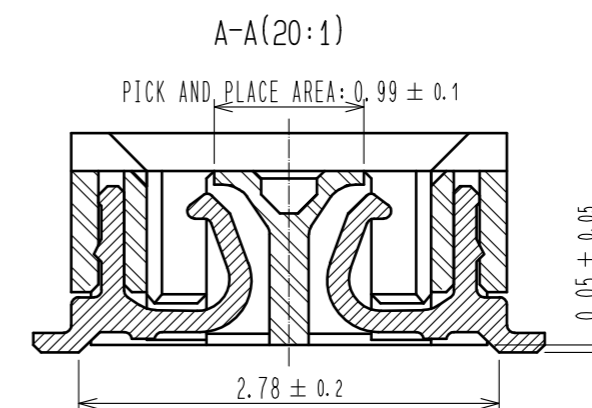
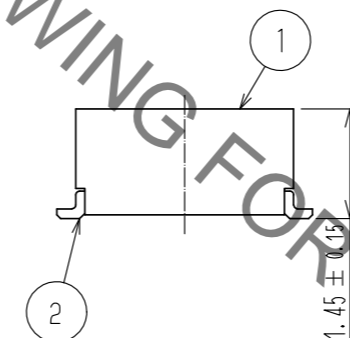
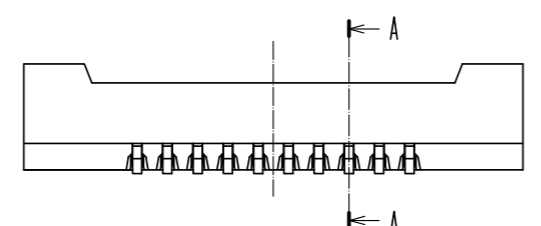


Sep.1.2019 Copyright 2019 HIROSE ELECTRIC CO., LTD. All Rights Reserved.  
In case of consideration for using Automotive equipment / device which demand high reliability, kindly contact our sales window correspondents.



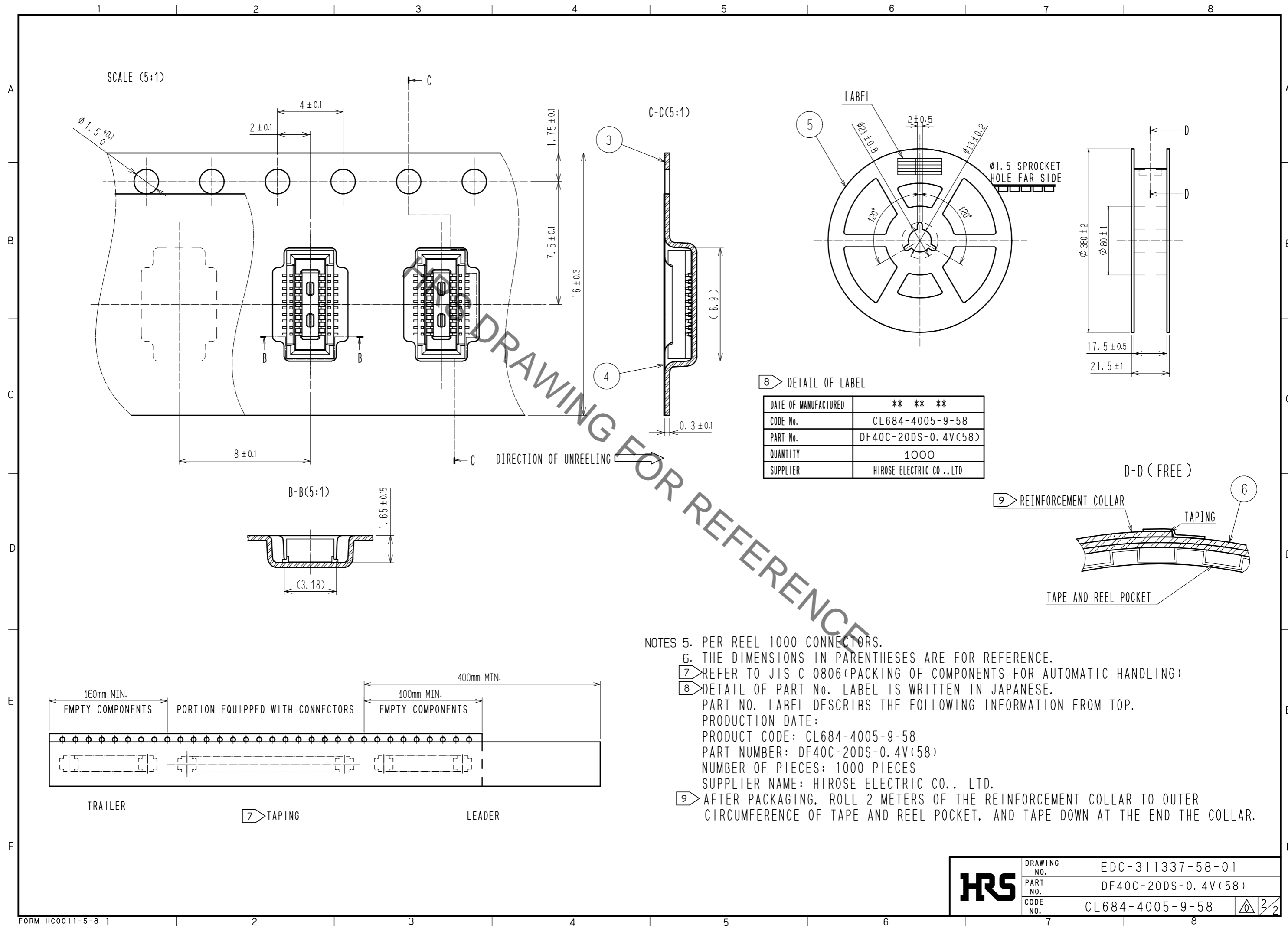
RECOMMENDED METAL MASK THICKNESS : 120 $\mu$ m  
RECOMMENDED METAL MASK OPENING RATIO : 80% FOR LEAD PAD



- NOTES ) 1. ALL LEADS METAL FITTINGS CO-PLANARITY SHALL BE 0.1mm MAX.  
 2. IS NO PATTERN AREA OTHER THAN THE SAME CIRCUIT.  
 3. HRS MARK AND CAV NO. ARE INDICATED IN APPROXIMAL POSITION SHOWN.  
 4. GATE POSITION IS POSITIONED IN APPROXIMAL AREA SHOWN.

2	PHOSPHOR BRONZE	CONTACT AREA:GOLD 0.05 $\mu$ m MIN	6	PS	CLEAR, REINFORCEMENT COLLAR			
		SMT LEAD:GOLD 0.05 $\mu$ m MIN	5	PS	BLACK, PLASTIC REEL			
		UNDERPLATING:NICKEL 1 $\mu$ m MIN	4	POLYESTER	CLEAR, COVER TAPE			
1	LCP	BLACK, UL94V-0	3	PS	CLEAR, EMBOSSED CARRIER TAPE			
NO.	MATERIAL	FINISH . REMARKS	NO.	MATERIAL	FINISH . REMARKS			
UNITS mm		SCALE 10:1	COUNT 	DESCRIPTION OF REVISIONS		DESIGNED	CHECKED	DATE
<b>HRS</b> HIROSE ELECTRIC CO., LTD.		APPROVED : MO. ISHIDA	16. 10. 05	DRAWING NO.		EDC-311337-58-01		
		CHECED : TS. MIYAZAKI	16. 10. 05	PART NO.		DF40C-20DS-0.4V(58)		
		DESIGNED : SH. HOSODA	16. 10. 05	CODE NO.		CL684-4005-9-58		
		DRAWN : SN. NUMAZAKI	16. 10. 04			1/2		

Sep.1.2019 Copyright 2019 HIROSE ELECTRIC CO., LTD. All Rights Reserved.  
In case of consideration for using Automotive equipment / device which demand high reliability, kindly contact our sales window correspondents.



8 > DETAIL OF LABEL

DATE OF MANUFACTURED	** ** *
CODE No.	CL684-4005-9-58
PART No.	DF40C-20DS-0.4V(58)
QUANTITY	1000
SUPPLIER	HIROSE ELECTRIC CO., LTD

- NOTES
- 5. PER REEL 1000 CONNECTORS.
  - 6. THE DIMENSIONS IN PARENTHESES ARE FOR REFERENCE.
  - 7 > REFER TO JIS C 0806 (PACKING OF COMPONENTS FOR AUTOMATIC HANDLING)
  - 8 > DETAIL OF PART No. LABEL IS WRITTEN IN JAPANESE.  
PART NO. LABEL DESCRIBES THE FOLLOWING INFORMATION FROM TOP.  
PRODUCTION DATE:  
PRODUCT CODE: CL684-4005-9-58  
PART NUMBER: DF40C-20DS-0.4V(58)  
NUMBER OF PIECES: 1000 PIECES  
SUPPLIER NAME: HIROSE ELECTRIC CO., LTD.
  - 9 > AFTER PACKAGING, ROLL 2 METERS OF THE REINFORCEMENT COLLAR TO OUTER CIRCUMFERENCE OF TAPE AND REEL POCKET, AND TAPE DOWN AT THE END THE COLLAR.

<b>HRS</b>	DRAWING NO.	EDC-311337-58-01
	PART NO.	DF40C-20DS-0.4V(58)
	CODE NO.	CL684-4005-9-58
		2/2