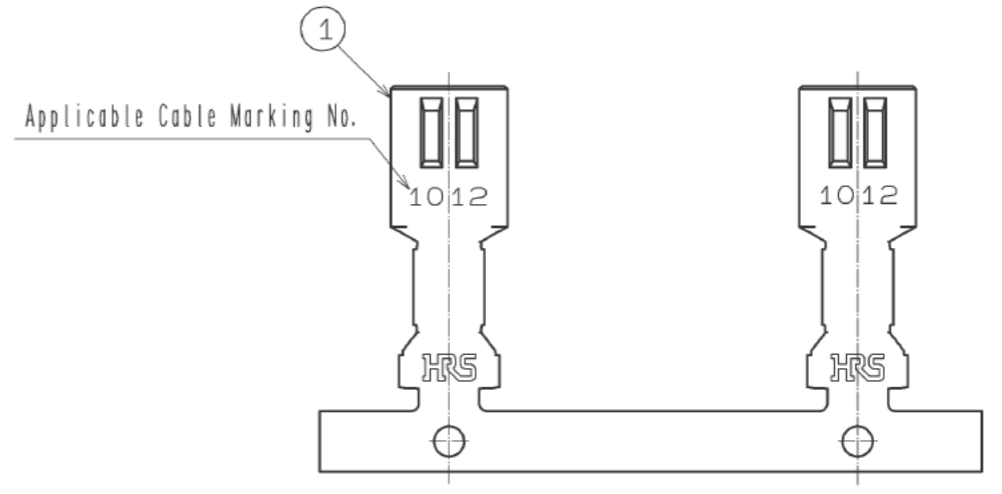
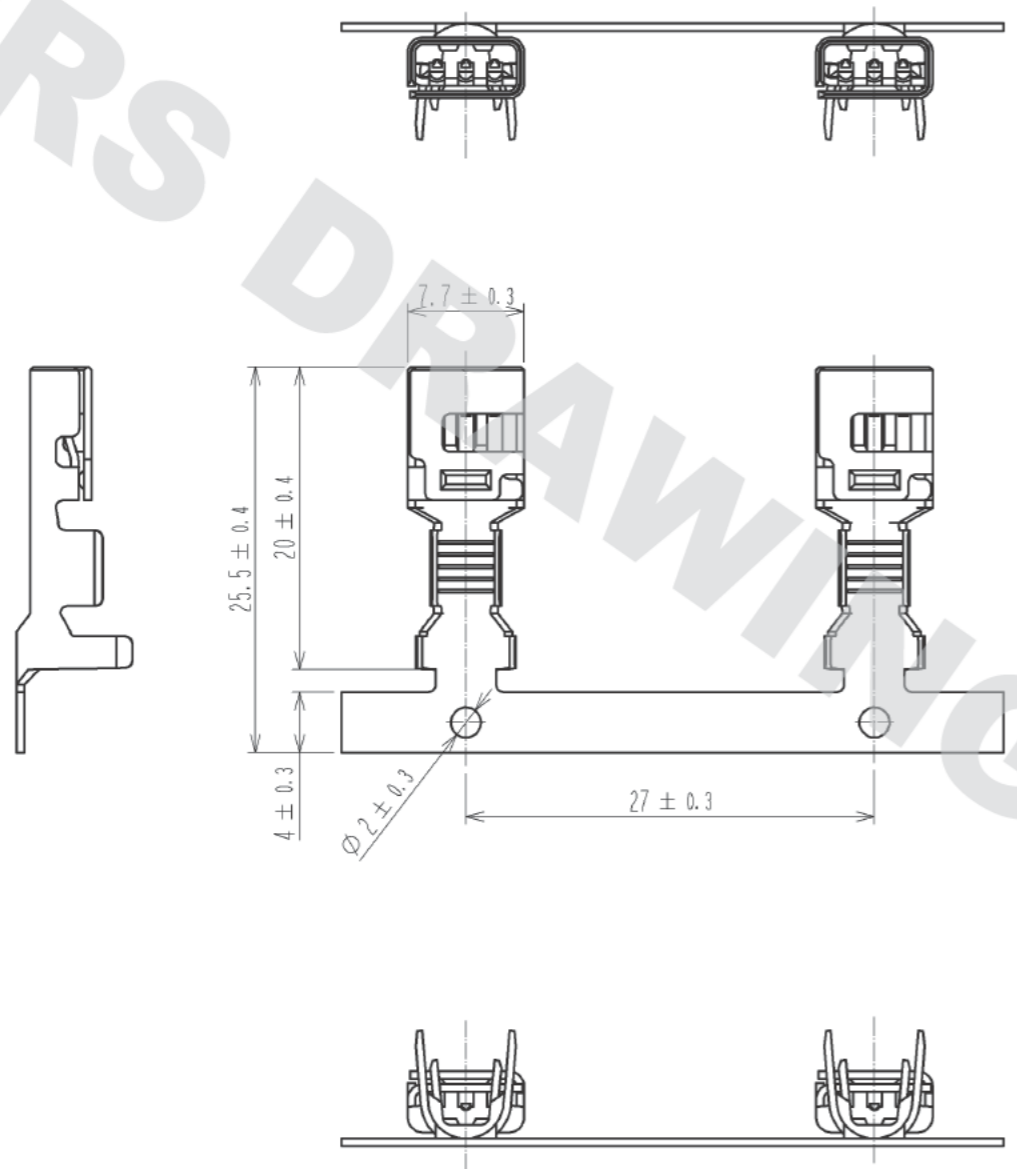
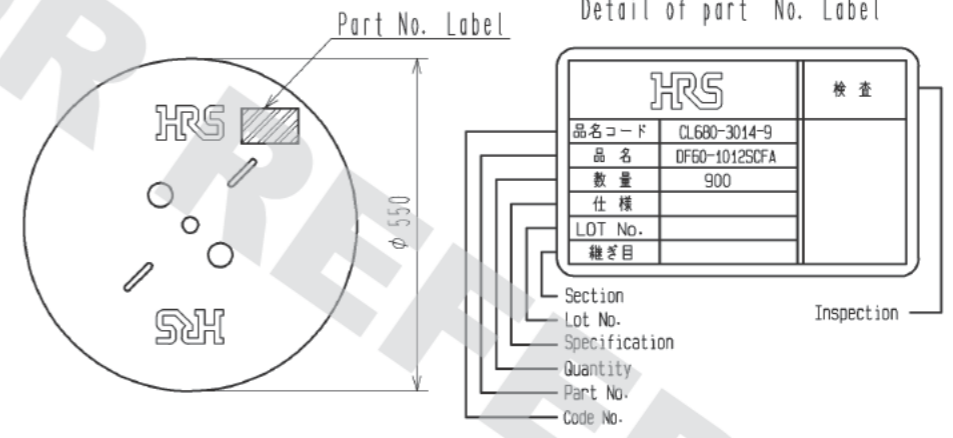


DRAWING FOR REFERENCE: This is subject to change without notice
05/31/2013



2 Style and Dimension of Reel



- NOTE 1. 1RL:900 Contacts.
 2 Style of Reel and Box Shows in Figure.
 3. Please be sure to check the form of crimping using a cable. When you adjust Applicator.

NO.		MATERIAL		FINISH . REMARKS		NO.		MATERIAL		FINISH . REMARKS	
		1		COPPER ALLOY						Contact Area : Au Plating 0.2μm min Under Plating : Ni Plating 1μm min	
UNITS	mm	SCALE	2 : 1	COUNT	△	DESCRIPTION OF REVISIONS		DESIGNED	CHECKED	DATE	
HRS HIROSE ELECTRIC CO., LTD.		APPROVED : OM. MIYAMOTO		12.10.09		DRAWING NO.		EDC3-341029-00			
		CHECKED : SZ. ONO		12.10.09		PART NO.		DF60-1012SCFA			
		DESIGNED : TH. YOSHIZAWA		12.10.09		CODE NO.		CL680-3014-9-00			
		DRAWN : TH. YOSHIZAWA		12.10.09				△ 1/1			