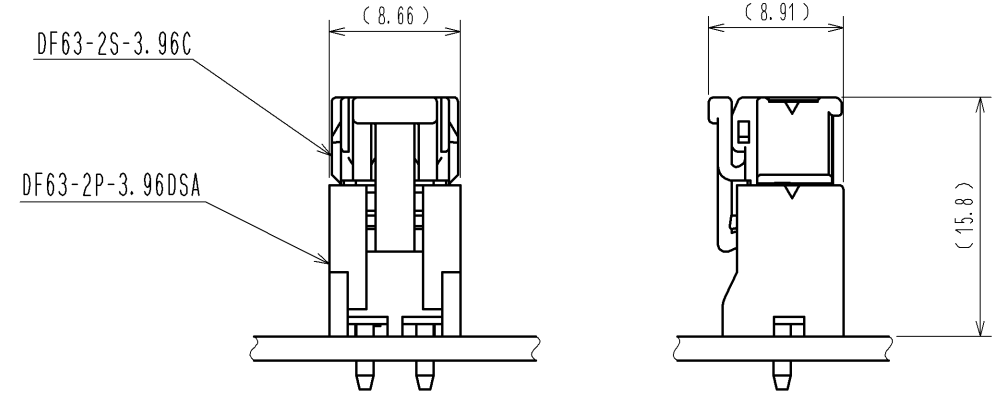


Mating Figure



NOTE. 1. Per pack:100 Pieces.
2. The dimensions in parenthesis are for reference.

NO.		MATERIAL		FINISH . REMARKS		1	PBT	UL94V-0(BLACK)		
UNITS mm		SCALE 2 : 1		COUNT		DESCRIPTION OF REVISIONS		DESIGNED	CHECKED	DATE
HIROSE ELECTRIC CO., LTD.		APPROVED : KI. AKIYAMA		14. 02. 07		DRAWING NO.		EDC3-348364-00		
		CHECKED : OM. MIYAMOTO		14. 02. 07		PART NO.		DF63-2S-3. 96C		
		DESIGNED : TO. HORII		14. 02. 06		CODE NO.		CL680-0509-5-00		
		DRAWN : TO. HORII		14. 02. 06						