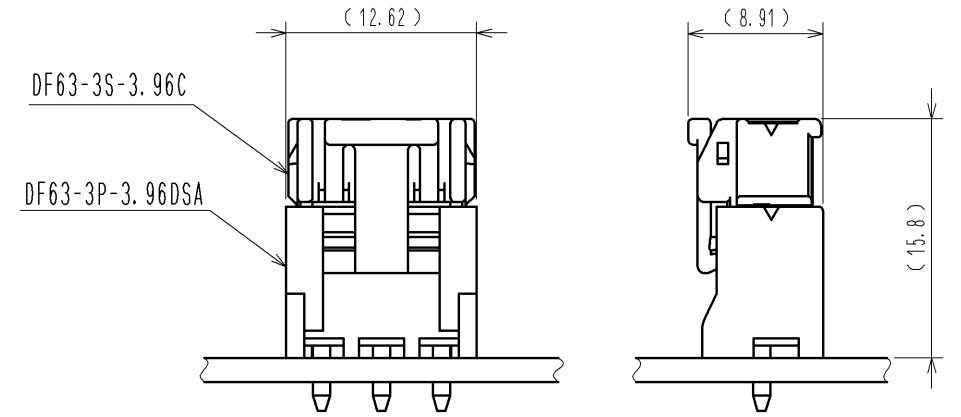


Mating Figure



NOTE. 1. Per pack:100 Pieces.
2. The dimensions in parenthesis are for reference.

NO.		MATERIAL		FINISH . REMARKS		1	PBT	UL94V-0(BLACK)
UNITS mm		SCALE 2 : 1		COUNT		DESIGNED		CHECKED
		HIROSE ELECTRIC CO., LTD.		APPROVED : KI. AKIYAMA		13.06.15		DRAWING NO.
				CHECKED : OM. MIYAMOTO		13.06.14		PART NO.
				DESIGNED : TO. HORII		13.06.14		CODE NO.
				DRAWN : TO. HORII		13.06.14		CL680-0502-6-00
							EDC3-347136-00	
							DF63-3S-3.96C	
							CL680-0502-6-00	
							1/1	