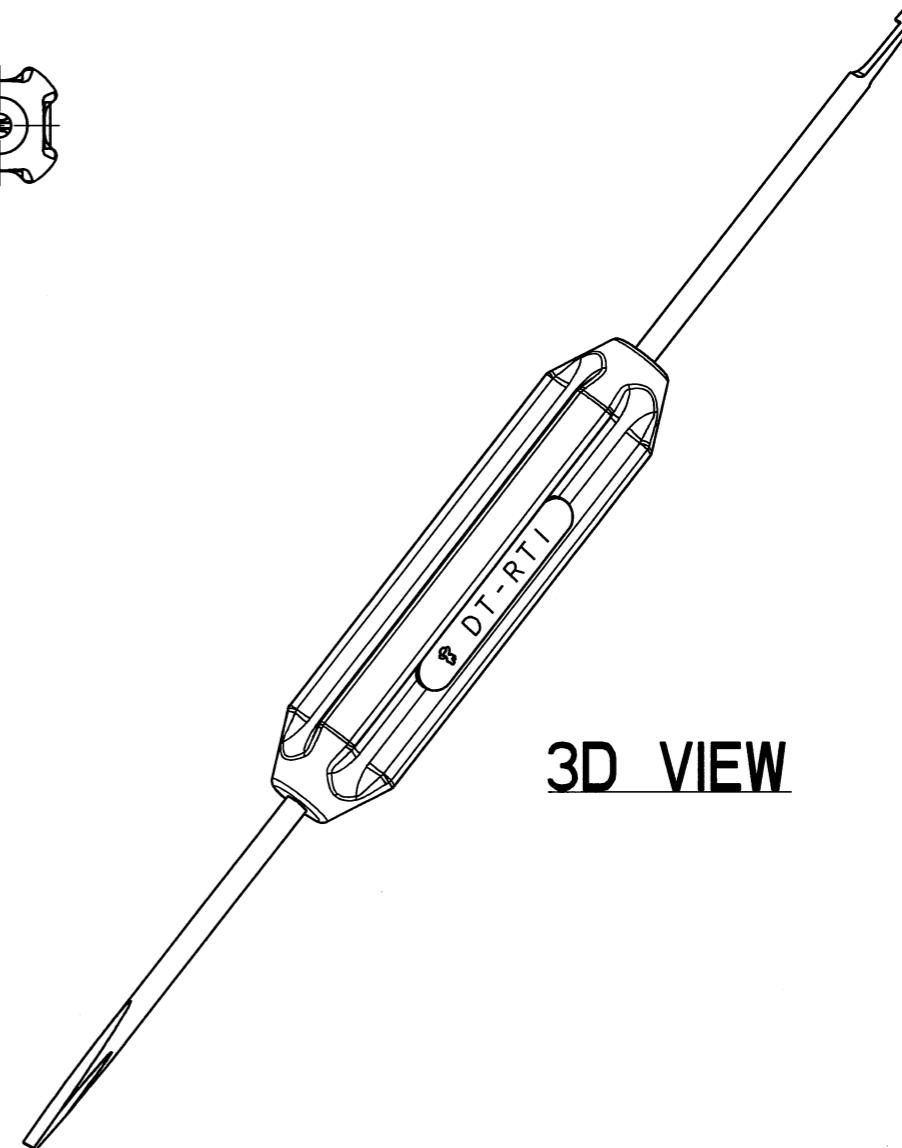
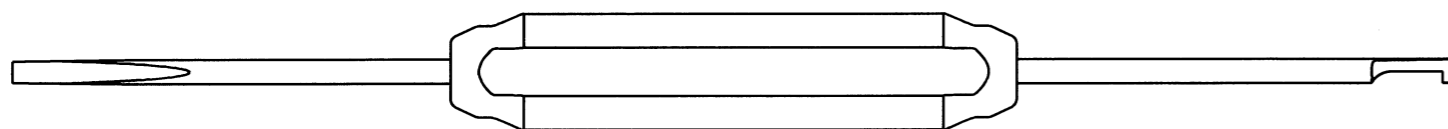
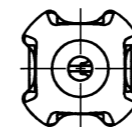
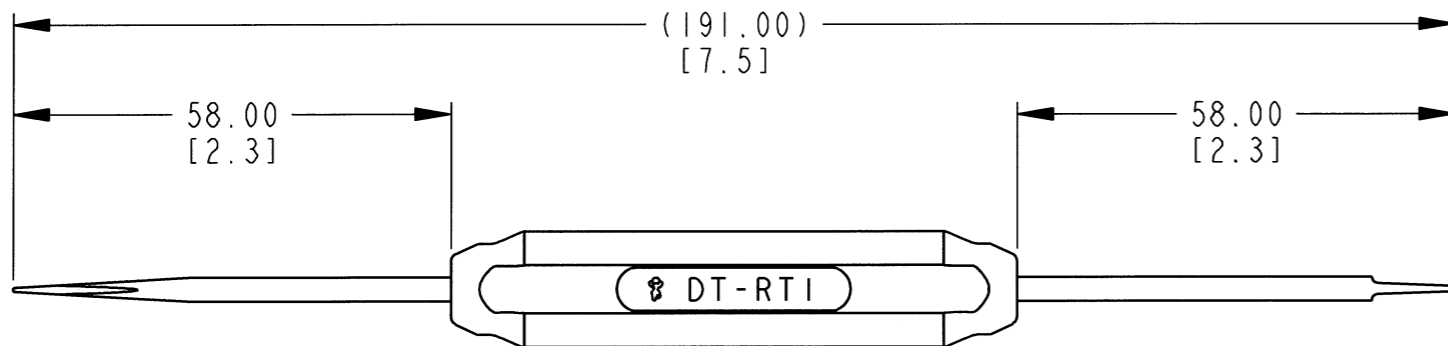


REV
NC

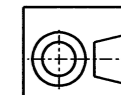
DT-RT1

REVISIONS

SYM	DESCRIPTION	DATE	APPROVED
NC	NEW RELEASE PER E.O. P21252	1-2-12	ADR



3D VIEW




- 3. MATERIAL: STEEL WITH PLASTIC BURGUNDY HANDLE.
- 2. DIMENSION TOLERANCE: ± 1.25 [0.049].
- 1. DIMENSIONS ARE IN MILLIMETERS [INCHES].

NOTES: UNLESS OTHERWISE SPECIFIED

SIGNATURE & DATE	
DR	J. APOSTOL 19DEC2011
CHK	R. Lefferts 12-19-11
PE	R. Lefferts 12-19-11
APPD	D. Meyer 1/2/12
SCALE	NONE WT

REMOVAL TOOL, CONTACT

ENVELOPE

EP 224	MATL. CODE
 3850 INDUSTRIAL AVE. HEMET, CA 92545	
DEUTSCH INDUSTRIAL	
B	DT-RT1
DWG SIZE	CODE SHEET OF
11139	1 1