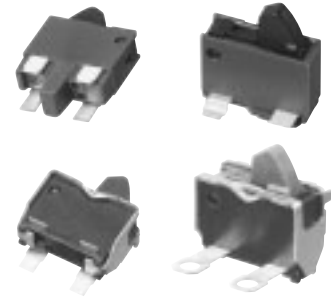


### 2N Detector Switches

Type: **ESE22**



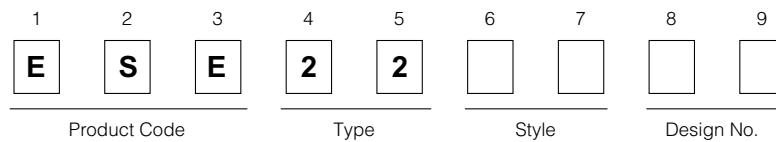
#### ■ Features

- Can be operated with different actuation angles (horizontally and vertically)
- Reflow soldering
- Light operating force

#### ■ Recommended Applications

- Detection of media in portable electronic equipment

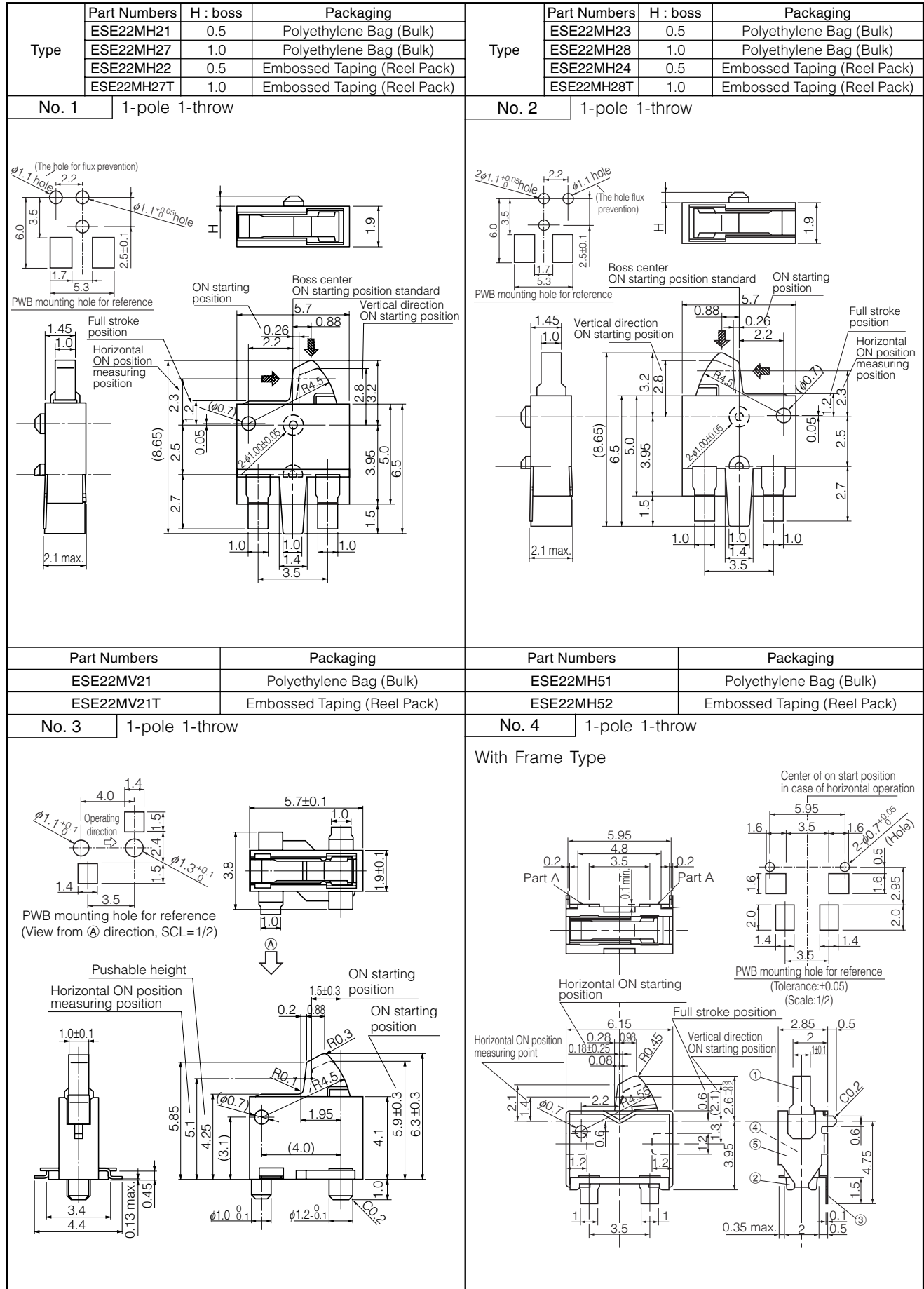
#### ■ Explanation of Part Numbers



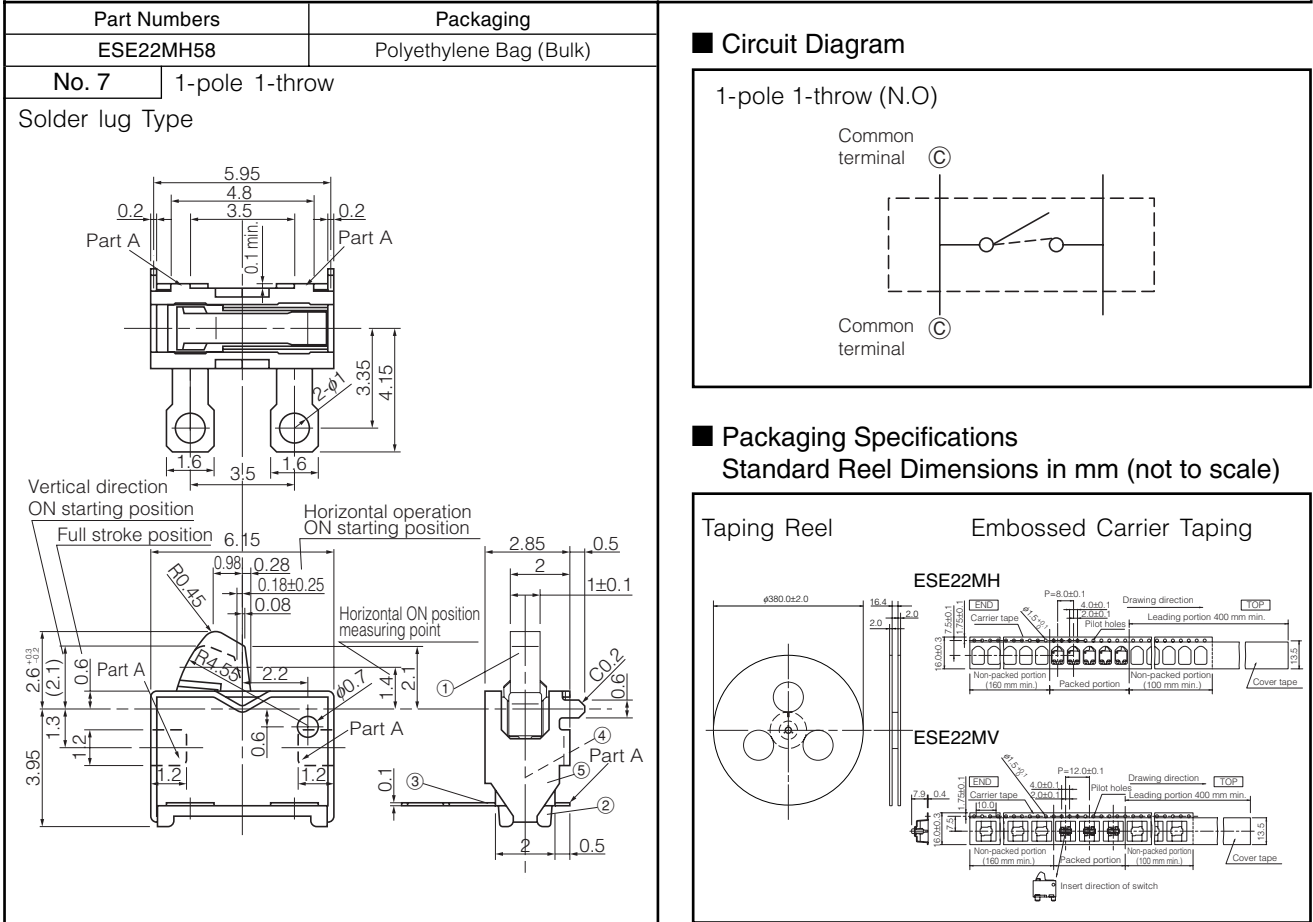
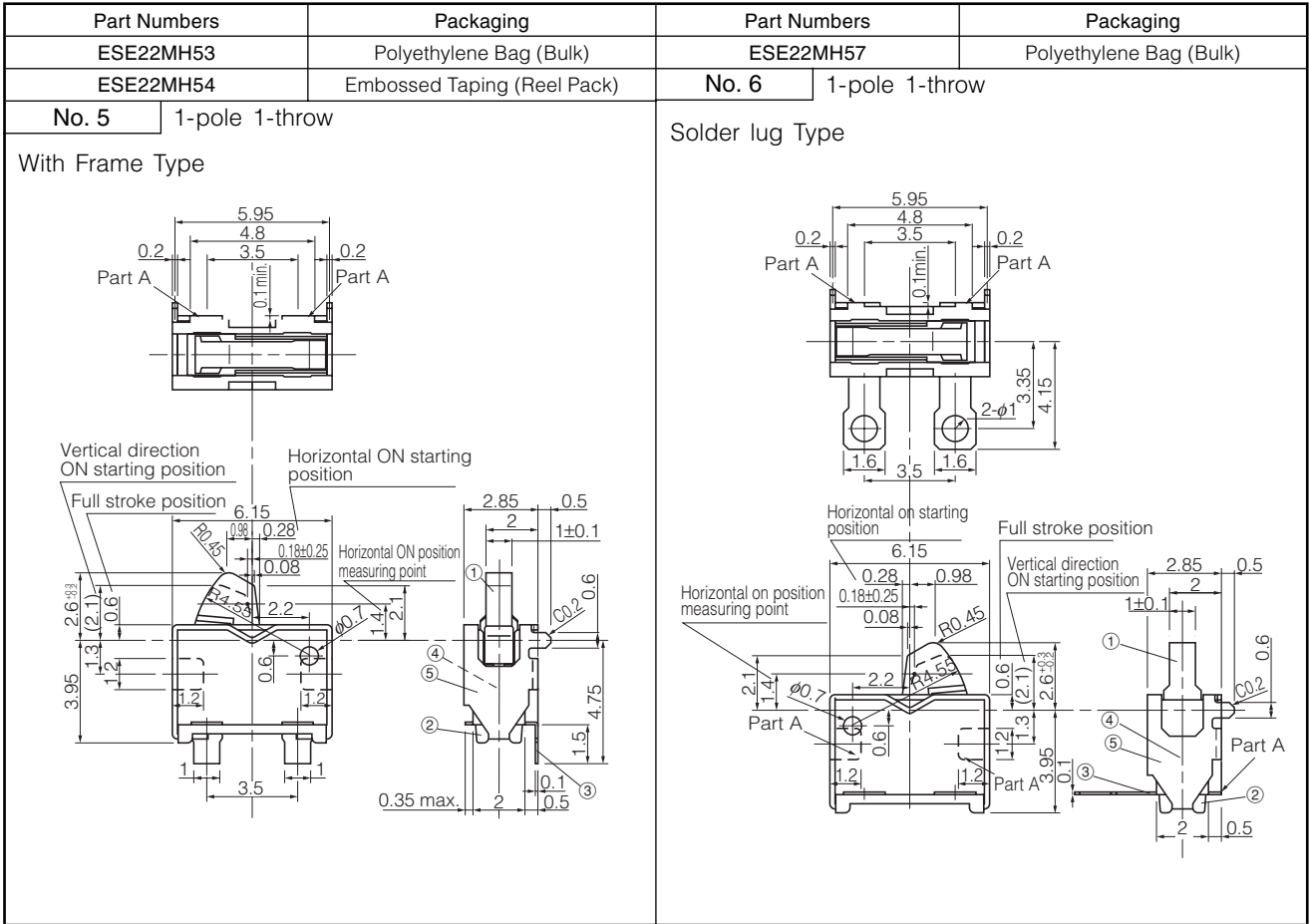
#### ■ Specifications

Rating	50 $\mu$ A 3 Vdc to 10 mA 5 Vdc (Resistive load)	
Contact Resistance	500 m $\Omega$ max.	
Insulation Resistance	100 M $\Omega$ min. (100 Vdc)	
Dielectric Withstanding Voltage	100 Vac for 1 minute	
Operating Force	300 mN max.	
Mounting Height	<ul style="list-style-type: none"> <li>· Type MV 4.1 mm</li> <li>· Type MH 2.1 mm</li> <li>· Type MH with Frame 2.85 mm</li> </ul>	
Poles and Throws	1-pole 1-throw	
Full Travel (Pushing distance)	<ul style="list-style-type: none"> <li>· Type MV 4.25 mm(2.05 mm)</li> <li>· Type MH 1.2 mm(2.0 mm)</li> <li>· Type MH with Frame 0.6 mm(2.0 mm)</li> </ul>	
Operating Life	50000 cycles min.	
Temperature Range	-10 °C to +70 °C	
Heat Resistance	+80 °C for 96 hours	
Low Temperature Resistance	-25 °C for 96 hours	
Humidity Resistance	+40 °C 90 % to 95 % RH for 96 hours	
Minimum Quantity/Packing Unit	500 pcs. Polyethylene Bag (Bulk)	
	<ul style="list-style-type: none"> <li>· Type MV 1000 pcs. Embossed Taping (Reel Pack)</li> <li>· Type MH with Frame 3000 pcs. Embossed Taping (Reel Pack)</li> <li>· Type MH 4000 pcs. Embossed Taping (Reel Pack)</li> </ul>	
	10000 pcs. Polyethylene Bag (Bulk)	
Quantity/Carton	10000 pcs. Polyethylene Bag (Bulk)	
	<ul style="list-style-type: none"> <li>· Type MV 6000 pcs. Embossed Taping (Reel Pack)</li> <li>· Type MH with Frame 18000 pcs. Embossed Taping (Reel Pack)</li> <li>· Type MH 24000 pcs. Embossed Taping (Reel Pack)</li> </ul>	
	10000 pcs. Polyethylene Bag (Bulk)	

### ■ Dimensions in mm (not to scale)



■ Dimensions in mm (not to scale)



Design and specifications are each subject to change without notice. Ask factory for the current technical specifications before purchase and/or use. Should a safety concern arise regarding this product, please be sure to contact us immediately.