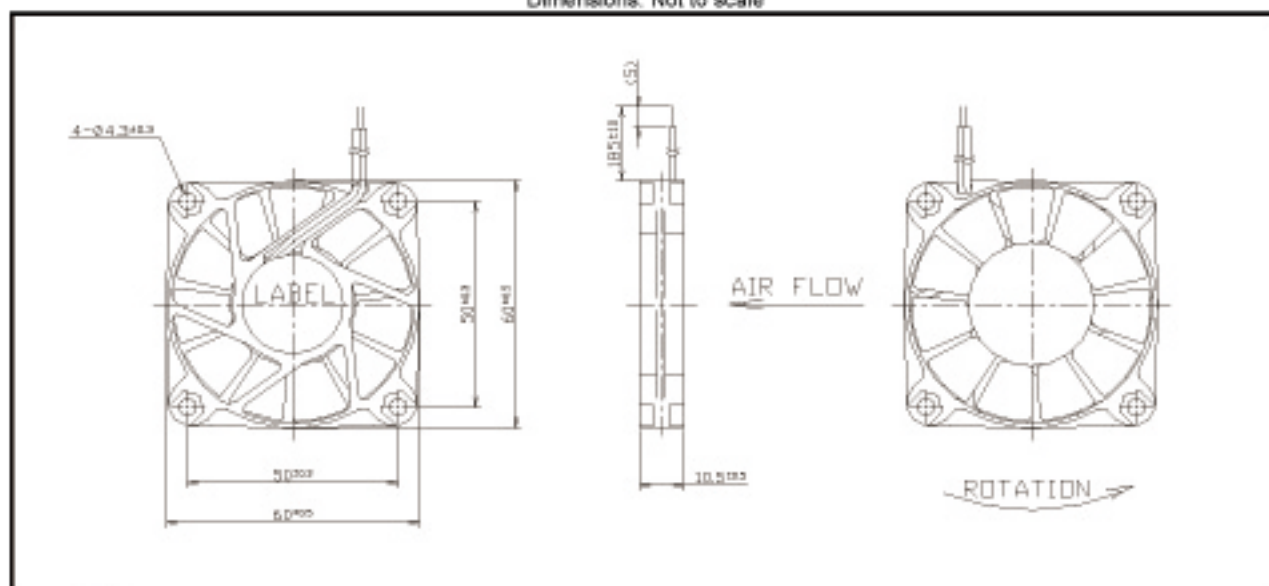


# F6010AP TYPE

1ボール1スリーブ

(60x60x10.3mm)

Dimensions: Not to scale



## Specifications

機種名 (Model) F6010AP-05LCW F6010AP-12KCW F6010AP-12LCW F6010AP-12NCW F6010AP-12PCW F6010AP-24MCW

定格電圧 (DCV)	5	12	12	12	12	24
Rated voltage						
使用電圧範囲 (DCV)	4.5~5.5	10.2~13.8	10.2~13.8	10.2~13.8	10.2~13.8	20.4~27.6
Operating voltage range						
定格電流 (A)	0.18	0.08	0.1	0.13	0.15	0.08
Rated current						
定格入力 (W)	0.9	0.96	1.2	1.56	1.8	1.92
Rated input						
最大風量 (m <sup>3</sup> /min)	0.3	0.28	0.33	0.36	0.4	0.35
Max Air Volume						
最大静圧 (Pa)	16.7	12.7	16.7	22.5	29.4	20.6
Max Static Pressure						
A特性音圧レベル (dB)	28	25	30	36	38	33
Noise Lv at 1m (A-weighted)						
回転速度 (min <sup>-1</sup> )	3,200	2,800	3,300	3,800	4,200	3,500
Rotation frequency						
期待寿命 (h)	50,000					
Life expectancy	★ Room temp-humidity					

使用温度範囲(Operating temp. range) :

-5~+60°C(5V), -10 ~ +60°C(12V, 24V) ★★

保存温度範囲(Storage temp. range) :

-40 ~ +70 ★★

リード線(Lead Wire) :

UL 2468 AWG28: (Red+), Green(-), (12V: Red+), Black(-), (24V: Red+), Blue(-)

重量(Weight):

27g

絶縁抵抗(Insulation resist.):

Min 10M Ω at DC500V (Between frame and leadwire)

耐電圧(Voltage withstand):

5mA (AC500V 1minute or AC500V 1 second, between frame and leadwire)

★ In room temperature and humidity ★★ In room humidity Room temp.=20±15°C, Room humidity=65±20%

0203

Specifications subject to change without notice. Copyright ©2002 Shicoh Engineering Co., Ltd.

<http://www.shicoh.com>

 SHICOH