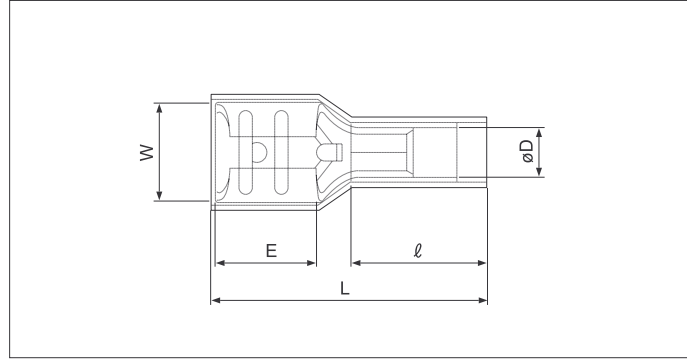
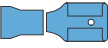


QUICK DISCONNECT *Female, Fully-insulated with copper sleeve*

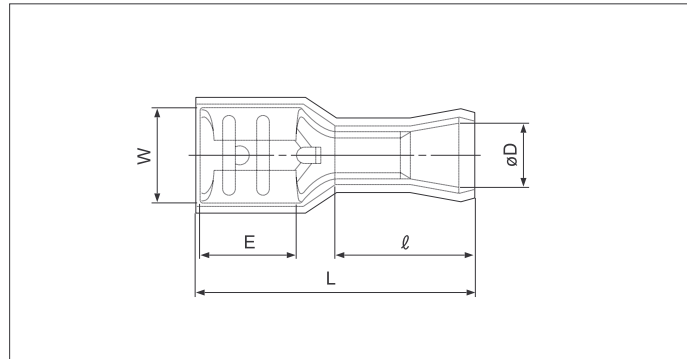


With straight insulation

File No.: E70188 LR20812

	Applicable Wire AWG#(mm ²)	Part No.	Standard	Dimensions mm (in.)							Color	Tool No.						Qty/box
				W	L	E	øD	ℓ	Material Thickness	Mating Tab Thickness		YNT-2216	YNT-1614	YNT-1210S	YA-1	YA-2	YA-4	
187	22 to 16 (0.25 to 1.65)	LVDDF1.25-187A-5		5.7 (.224)	20.0 (.787)	6.0 (.236)	2.7 (.106)	11.0 (.433)	0.35(.014)	0.5 (.020)	Red	0			0	0	0	1,000
		LVDDF1.25-187A-8		5.7 (.224)	20.0 (.787)	6.0 (.236)	2.7 (.106)	11.0 (.433)	0.35(.014)	0.8 (.031)		0			0	0	0	
	16 to 14 (1.04 to 2.63)	LVDDF2 -187A-5		5.7 (.224)	20.0 (.787)	6.0 (.236)	3.2 (.126)	11.0 (.433)	0.35(.014)	0.5 (.020)	Blue	0			0	0	0	1,000
		LVDDF2 -187A-8		5.7 (.224)	20.0 (.787)	6.0 (.236)	3.2 (.126)	11.0 (.433)	0.35(.014)	0.8 (.031)		0			0	0	0	
250	22 to 16 (0.25 to 1.65)	LVDDF1.25-250A		7.4 (.291)	22.0 (.866)	7.8 (.307)	2.7 (.106)	11.0 (.433)	0.4 (.016)	0.8 (.031)	Red	0			0	0	0	500
	16 to 14 (1.04 to 2.63)	LVDDF2 -250A		7.4 (.291)	22.0 (.866)	7.8 (.307)	3.2 (.126)	11.0 (.433)	0.4 (.016)	0.8 (.031)	Blue	0			0	0	0	500
	12 to 10 (2.63 to 6.64)	LVDDF5.5 -250A		7.4 (.291)	25.0 (.984)	7.8 (.307)	4.5 (.177)	14.0 (.551)	0.4 (.016)	0.8 (.031)	Yellow		0			0	0	500

Note:1) Delivery lead times may vary depending on the product. Contact JST for details.



With flared insulation

File No.: E70188 LR20812

	Applicable Wire AWG#(mm ²)	Part No.	Standard	Dimensions mm (in.)							Color	Tool No.						Qty/box
				W	L	E	øD	ℓ	Material Thickness	Mating Tab Thickness		YNT-2216	YNT-1614	YNT-1210S	YA-1	YA-2	YA-4	
187	22 to 16 (0.25 to 1.65)	FLVDDF1.25-187A-5		5.7 (.224)	19.0 (.748)	6.0 (.236)	3.5 (.138)	9.5 (.374)	0.35(.014)	0.5 (.020)	Red	0			0	0	0	1,000
		FLVDDF1.25-187A-8		5.7 (.224)	19.0 (.748)	6.0 (.236)	3.5 (.138)	9.5 (.374)	0.35(.014)	0.8 (.031)		0			0	0	0	
	16 to 14 (1.04 to 2.63)	FLVDDF2 -187A-5		5.7 (.224)	19.0 (.748)	6.0 (.236)	4.3 (.169)	9.5 (.374)	0.35(.014)	0.5 (.020)	Blue	0			0	0	0	1,000
		FLVDDF2 -187A-8		5.7 (.224)	19.0 (.748)	6.0 (.236)	4.3 (.169)	9.5 (.374)	0.35(.014)	0.8 (.031)		0			0	0	0	
250	22 to 16 (0.25 to 1.65)	FLVDDF1.25-250A		7.4 (.291)	21.0 (.827)	7.8 (.307)	3.5 (.138)	9.5 (.374)	0.4 (.016)	0.8 (.031)	Red	0			0	0	0	500
	16 to 14 (1.04 to 2.63)	FLVDDF2 -250A		7.4 (.291)	21.0 (.827)	7.8 (.307)	4.3 (.169)	9.5 (.374)	0.4 (.016)	0.8 (.031)	Blue	0			0	0	0	500

Note:1) Delivery lead times may vary depending on the product. Contact JST for details.