

Impulse Withstand Voltage as High as 10 kV with 4kV Dielectric Strength: Ideal for Power Supply Switching

- ROHS compliant.
- Creepage distance of 8 mm min.
- Dielectric strength of 4,000 VAC min.
- SPST-NO types conform to TV-8 rating.
- DPST-NO types conform to TV-5 rating.
- International 2.54mm terminal pitch.



Ordering Information

Contacts		SPST-NO	DPST-NO
Mounting style	Terminals		
General purpose	PCB (straight)	G4W-1112P-US-TV8	G4W-2212P-US-TV5

Note: When ordering, add the rated coil voltage to the model number.
 Example: G4W-1112P-US-TV8 12 VDC

Rated coil voltage

Model Number Legend

G4W - - - - - **VDC**
 1 2 3 4 5 6 7 8

1. Contact Form

- 11: SPST-NO
- 22: DPST-NO

2. Contact Type

- 1: Single Button

3. Enclosure Ratings

- 2: Unsealed

4. Terminals

- P: Straight PCB

5. Approved Standards

- US: UL, CSA certified

6. TV Ratings

- TV5: TV-5
- TV8: TV-8

7. Special Function

- None: General purpose
- Z: Full-wave rectifier

8. Rated Coil Voltage

- 12, 24, 100 VDC

Specifications

■ Coil Ratings

Single-side Stable Type

Rated voltage	12 VDC	24 VDC	100 VDC
Rated current	66.7 mA	33.3 mA	8 mA
Coil resistance	180 Ω	720 Ω	12,500 Ω
Coil inductance	Armature OFF 0.93	3.7	61.8
(H) (ref. value)	Armature ON 1.65	6.4	106
Must operate voltage	80% max. of rated voltage		
Must release voltage	10% min. of rated voltage		
Max. voltage	130% of rated voltage (at 23°C)		
Power consumption	Approx. 800 mW		

Note: 1. The rated current and coil resistance are measured at a coil temperature of 23°C with a tolerance of ±15%.

2. Operating characteristics are measured at a coil temperature of 23°C.

■ Contact Ratings

Item	SPST-NO		DPST-NO	
	Resistive load ($\cos\varphi = 1$)	Inductive load ($\cos\varphi = 0.4$; L/R = 7 ms)	Resistive load ($\cos\varphi = 1$)	Inductive load ($\cos\varphi = 0.4$; L/R = 7 ms)
Rated load	15A at 250 VAC; 15A at 24 VDC	10A at 250 VAC; 7.5A at 24 VDC	10A at 250 VAC; 10A at 24 VDC;	7.5A at 250 VAC; 5A at 24 VDC
Contact material	AgSnIn			
Rated carry current	15A		10A	
Max. switching voltage	250 VAC, 125 VDC			
Max. switching current	15A		10A	
Max. switching power	3,750 VA, 375 W	2,500 VA, 255 W	2,500 VA, 240 W	1,850 VA, 120 W
Failure rate (reference value)	100 mA at 5 VDC			

Note: P level: $\lambda_{60} = 0.1 \times 10^{-6}$ /operation

■ Characteristics

Contact resistance		30 mΩ max.
Operate time		20 ms max. (mean value: approx. 13 ms)
Release time		5 ms max. (mean value: approx. 2.5 ms)
Bounce time		Operate: approx. 3 ms
Max. Operating Frequency		Mechanical: 18,000 operations/hr Electrical: 1,800 operations/hr (under rated load)
Insulation resistance		100 MΩ max. (at 500 VDC)
Dielectric strength		4,000 VAC, 50/60 Hz for 1 min between coil and contacts 2,000 VAC, 50/60 Hz for 1 min between contacts of different polarities (DPST-NO) 1,500 VAC, 50/60 Hz for 1 min between contacts of same polarity
Insulation Distance	Creepage (Typ)	8.0 mm
	Clearance (Typ)	8.0 mm
Tracking Resistance (CTI)		175 V
Impulse withstand voltage		10,000 V (1.2 x 50 μs) between coil and contacts
Vibration resistance		Destruction: 10 to 55 to 10 Hz, 0.75mm single amplitude (1.5mm double amplitude) Malfunction: 10 to 55 to 10 Hz, 0.75mm single amplitude (1.5mm double amplitude)
Shock resistance		Destruction: 1,000 m/s ² Malfunction: 150 m/s ²
Endurance		Mechanical: 5,000,000 operations min. (at 18,000 operations/hr) Electrical: 100,000 operations min. (at 1,800 operations/hr)
Ambient temperature		Operating: -25°C to 55°C (with no icing)
Ambient humidity		Operating: 5% to 85% RH
Weight		Approx. 29 g

■ Approved Standards

UL508 (File No. E41643)/CSA C22.2 No.14 (File No.LR31928)

Model	Contact Form	Coil ratings	Contact ratings
G4W-1112P-US-TV8	SPST-NO	6 to 120 VDC	15 A, 250 VAC (general use) 15 A, 24 VDC TV-8 1/2 hp, 125 VAC 1 hp, 250 VAC 3/4 hp, 240 VAC
G4W-2212P-US-TV5	DPST-NO		15 A, 250 VAC (general use) 10 A, 250 VAC (general use) 15 A, 24 VDC TV-5 1/2 hp, 250 VAC 1/3 hp, 125/250 VAC

SEMKO (File No. 204772)

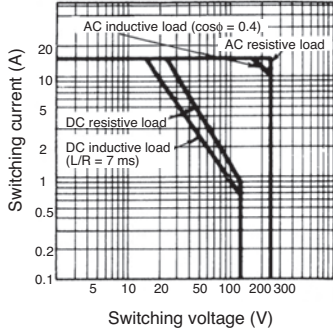
Contact form	Coil ratings	Contact ratings
SPST-NO	6-100 VDC	15/120 A, 250 VAC
DPST	6-120 VDC	10/80 A, 250 VAC

EN 61810-1 (VDE0435 (File No. 1907)

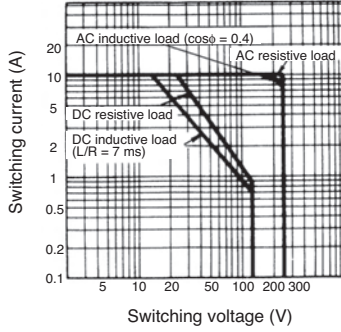
Contact form	Coil ratings	Contact ratings
SPST-NO	6, 12, 24, 48, 100 VDC	15 A, 250 VAC ($\cos\varphi = 1.0$) 10 A, 250 VAC ($\cos\varphi = 0.4$) 15 A, 24 VDC (0 ms) 7.5 A, 24 VDC (40 ms)
DPST-NO		10 A, 250 VAC ($\cos\varphi = 1.0$) 7.5 A, 250 VAC ($\cos\varphi = 0.4$) 10 A, 24 VDC (0 ms) 5 A, 24 VDC (40 ms)

Engineering Data

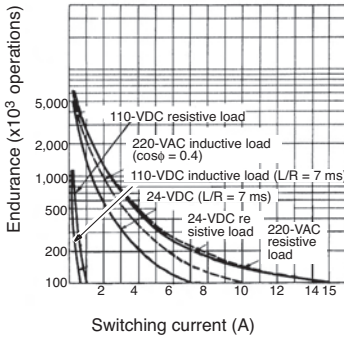
Maximum Switching Power
G4W-1112P-US-TV8



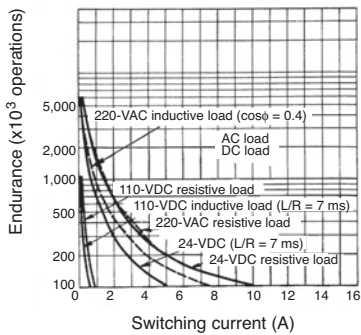
G4W-2212P-US-TV5



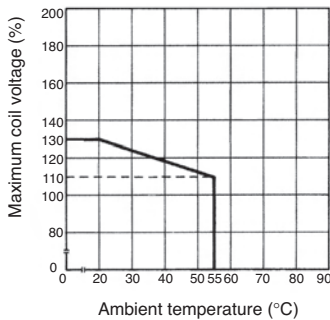
Endurance
G4W-1112P-US-TV8



G4W-2212P-US-TV5



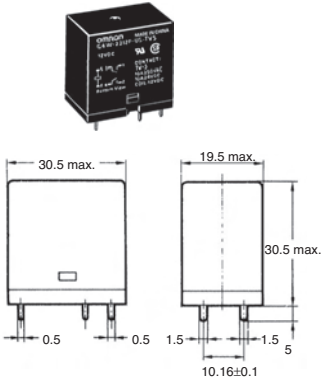
Ambient Temperature vs. Maximum Coil Voltage



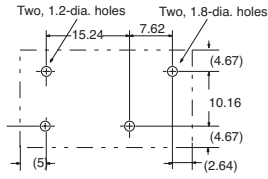
Note: The maximum coil voltage refers to the maximum value in a varying range of operating power voltage, not a continuous voltage.

Dimensions

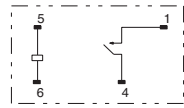
G4W-□12P-US-TV



Mounting Holes (Bottom View)
G4W-1112P-US-TV-8



Terminal Arrangement/Internal Connections (Bottom View)



Mounting Holes (Bottom View)
G4W-2212P-US-TV-5

