



REV.	ECN NO.	REVISED	DATE

NOTE:

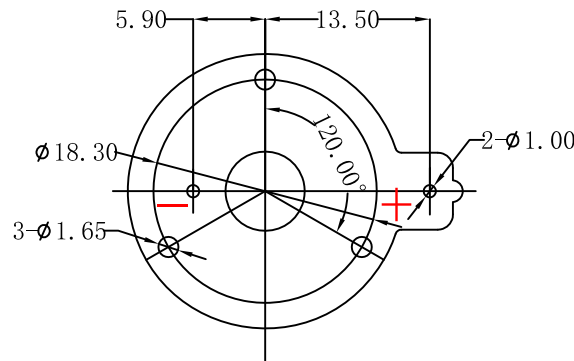
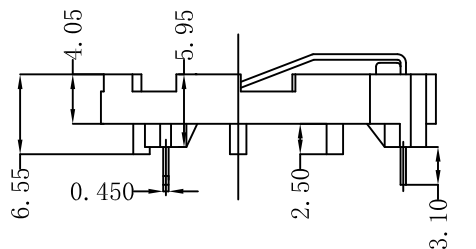
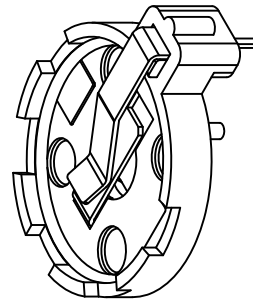
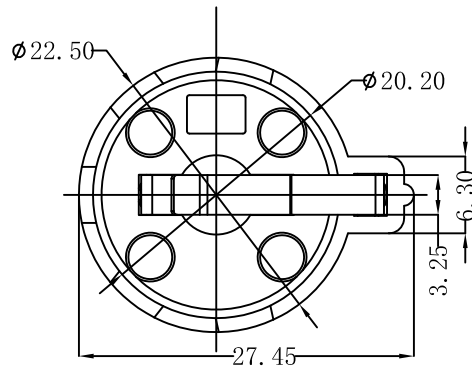
1. MATERIAL:

- a. HOUSING: THERMOPLASTIC GLASS FIBRE UL94V-0
- b. CONTACT: MN Steel
(SURFACE PLATING: Ni100u")

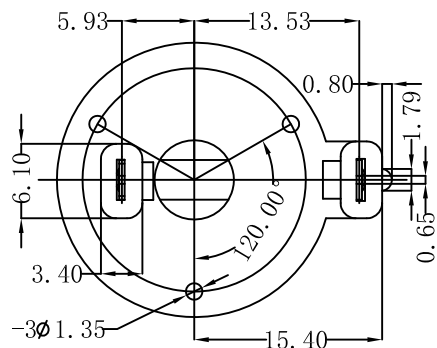
SEE ORDERING INFORMATION

2. ELECTRIC:

- a. CONTACT RESISTANCE: 30 MILLIOHMS MAX
- b. INSULATION RESISTANCE: 1000 MEGA OHMS MIN
- c. DIELECTNIC VOLTAGE: 500V AC ONE SEC LEVEL
- d. OPERATING TEMPERATURE: -25° C ~ +85° C



PCB Layout Diagram
Top View



3	TERMINAL (-)	1	Mn Steel, T=0.45MM	Ni-Plating
2	TERMINAL (+)	1	Mn Steel, T=0.45MM	Ni-Plating
1	HOUSING	1	PBT	BLACK
NO.	PART NAME	Q' TY	MATERIAL	PLATING & COLOR

UNLESS OTHERWISE SPECIFIED TOLERANCES		GB-BHH-2032RO-MR				
DECIMALS: X : ±0.30 X.X : ±0.25 X.XX : ±0.20 X.XXX : ±0.10	ANGLES: X : ±1° X.X : ±0.5°	SCALE: 1:1	SIZE: A4	VIEW:	PART NO: BS-03-A1AJ002	
WEIGHT: 1.75 g		UNIT: mm	REV.: A/0	OBJECT: MY	TITLE: BS-2032-3-1	
SHEET 1 OF 1		DSND	YangFeng	DATE		2011.1.11
		CHKD	ZhouRuicai	DATE		2011.1.13
		APVD	XueZhengy	DATE	2011.1.13	