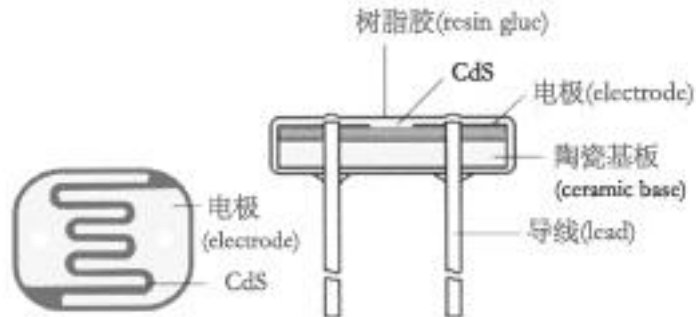


GL5516

Schematic Drawing



Performances and Features

Coated with epoxy

Small volume

Quick response

Good reliability

High sensitivity

Good spectrum characteristic

Typical Applications

Camera automation photometry

Indoor sunlight control

Industrial control

Optical control lamp

Photoelectric control

Annunciator

Optical control switch

Electronic toy

Standard Type and Specifications

Specification	Type	Maximum Load Voltage (VDC)	Maximum power consumption (mw)	Environmental temperature (°C)	Spectrum peak value (nm)
Φ5	GL5516	150	90	-30~+70	540

Specification	Light resistance (10Lux) (KΩ)	Dark resistance (MΩ)	γ_{10}^{100}	Response time (ms)		Illuminance resistance characteristic
				Increase	Decrease	
Φ5	5-10	0.5	0.5	30	30	2

Testing Conditions

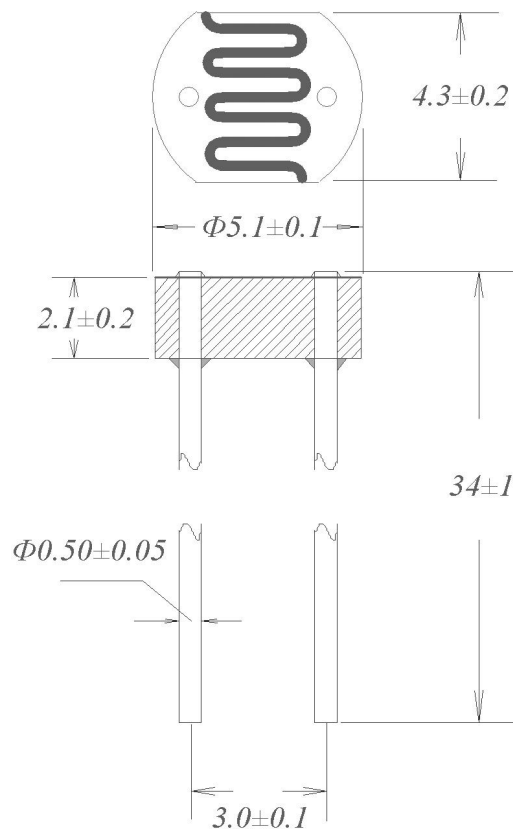
Max external voltage: Maximum voltage to be continuously given to component in the dark.

Max power consumption: Maximum power at the environmental temperature 25°C.

Light resistance Irradiate by 400-600Lux light for two hours, then test with 10Lux under standard light source A(as colour temperature 2856K)

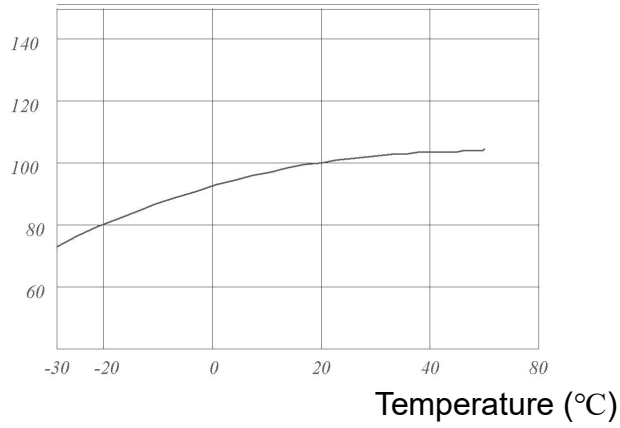
Dark resistance: Refer to the resistance value ten seconds after the 10Lux light is shut up.

Main Characteristics Curve and Dimensions



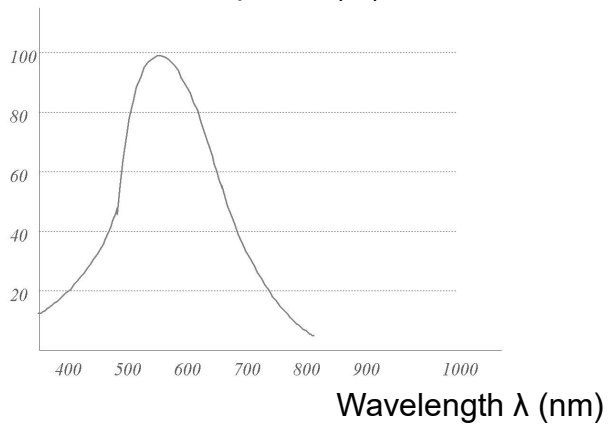
Specification unit: mm

Relative Resistance (%)



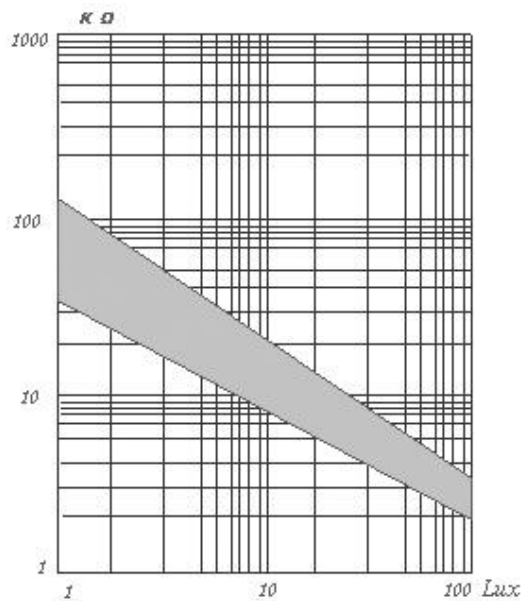
Temperature-Property

Relative Response (%)



Spectrum Response Characteristic

Illuminance-Resistance Characteristics Curve



Packing and Precaution

1. This product is packed with the environmental protection material, 100pcs per small package, 1000pcs per big package.
2. Avoid high temperature and humidity for storing.
3. Soldering should be completed in the shortest possible time.
4. It is recommended that the soldering should keep 4mm away from ceramic substrate. If with wave soldering, the furnace temperature shall not be higher than 250°C.



Senba Sensing Technology Co., Ltd.

Add: 2nd Floor, #D Building, HuaWan Industrial Zone, GuShu, XiXiang Street, Bao'an Dist., ShenZhen City, GuangDong Province, China (518102)

Tel: +86-755-82594732 / 86-16620455140

Fax: +86-755-82594762

Email: haily@nysenba.com

Website: www.senbasensor.com