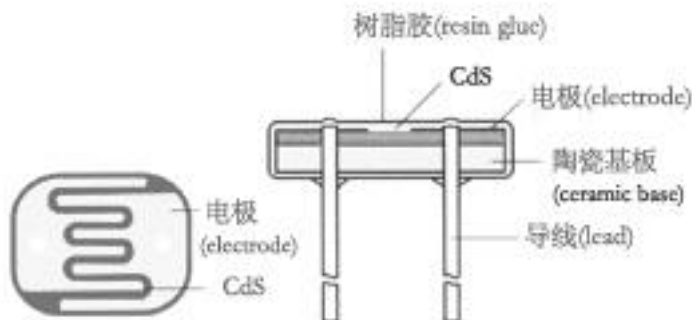


GL5537-2

Schematic Drawing



Performances and Features

Coated with epoxy

Small volume

Quick response

Good reliability

High sensitivity

Good spectrum characteristic

Typical Applications

Camera automation photometry

Indoor sunlight control

Industrial control

Optical control lamp

Photoelectric control

Annunciator

Optical control switch

Electronic toy

Standard Type and Specifications

Specification	Type	Maximum Voltage	Maximum power	Environmental temperature	Spectrum peak value
Φ5	GL5537-2	150	100	-30~+70	540

Specification	Light resistance (10Lux) (KΩ)	Dark resistance (MΩ)	γ_{10}^{100}	Response time (ms)		Illuminance resistance characteristic
				Increase	Decrease	
Φ5	30-50	3	0.7	20	30	

Testing Conditions

Max external voltage: Maximum voltage to be continuously given to component in the dark.

Max power consumption: Maximum power at the environmental temperature 25°C.

Light resistance Irradiate by 400-600Lux light for two hours, then test with 10Lux under standard light source A(as colour temperature 2856K)

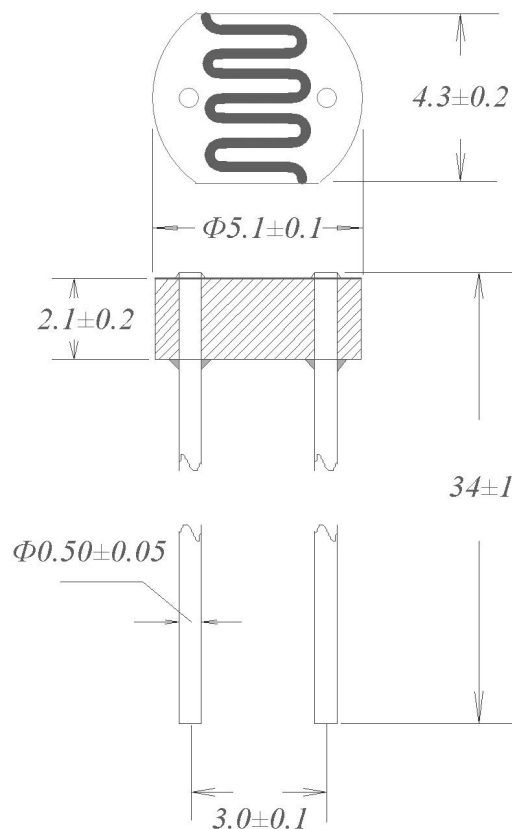
Dark resistance Refer to the resistance value ten seconds after the 10Lux light is shut up.

Packaging and Notice

1000PCS/ Bag

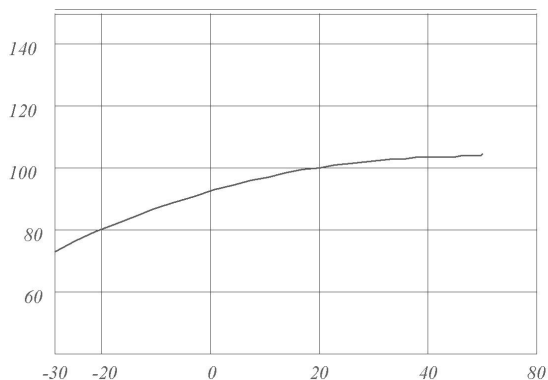
20000PCS/ Carton

Main Characteristics Curve and Dimensions



Specification unit: mm

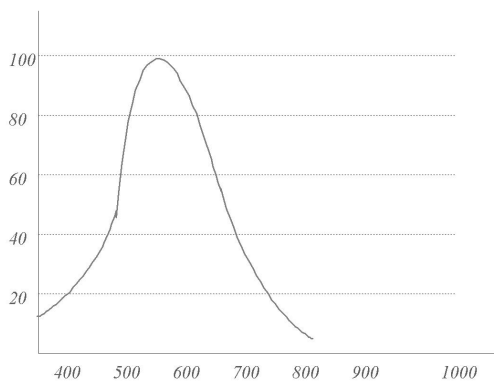
Relative Resistance (%)



Temperature (°C)

Temperature-Property

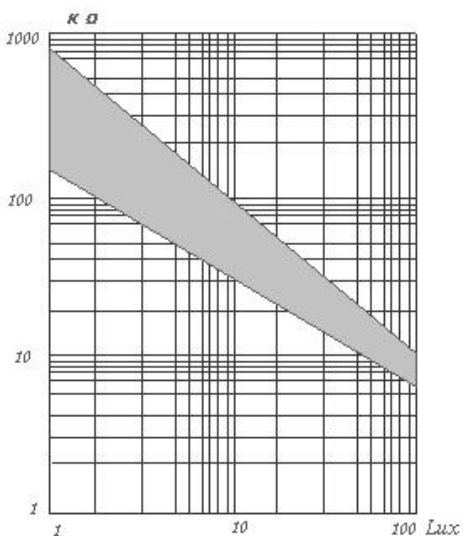
Relative Response (%)



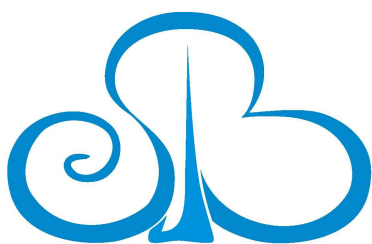
Wavelength λ (nm)

Spectrum Response Characteristic

Illuminance-Resistance Characteristics Curve



Illuminance –Resistance Curve



SENBA OPTOELECTRONIC **Nanyang Senba Optical&Electronic Co., Ltd**

Add: 2nd Floor, #D Building, HuaWan Industrial Zone,
GuShu, XiXiang Street, Bao'an Dist., ShenZhen City,
GuangDong Province, China (518102)

Tel: +86-755-82594732/86-16620455140

Fax: +86-755-82594762

Email: haily@nysenba.com

Website: <http://www.senbasensor.com>