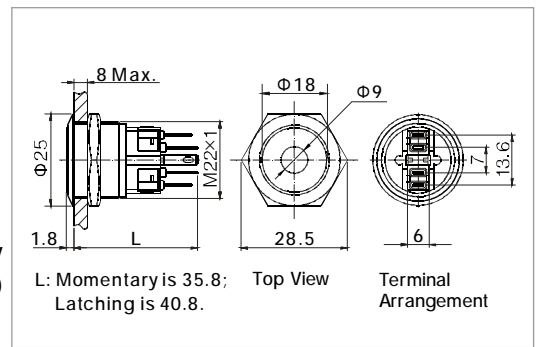


(LAS1-B)GQ22

Anti-vandal dot illuminated push button



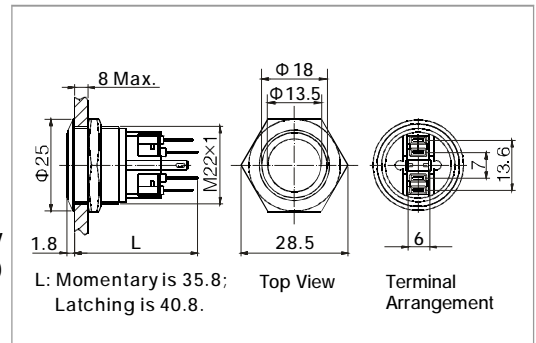
- ⊙ Φ22mm Diameter
- ⊙ Switch Rating: Ith:5A, Ui:250V
- ⊙ Contact Configuration: 1NO1NC
- ⊙ Operation Type(■): Momentary/Latching(Z)
- ⊙ Dot illuminated
- ⊙ LED Color(Δ): R G Y O B W
- ⊙ LED Voltage(▲): 6V/12V/24V/110V/220V
- ⊙ The Crust Material(○): Stainless steel(S) Anodized(A)
- ⊙ IP Degree: IP65(IP67made to order),IK10



Anti-vandal ring illuminated push button



- ⊙ Φ22mm Diameter
- ⊙ Switch Rating: Ith:5A, Ui:250V
- ⊙ Contact Configuration: 1NO1NC
- ⊙ Operation Type(■): Momentary/Latching(Z)
- ⊙ Ring illuminated
- ⊙ LED Color(Δ): R G Y O B W
- ⊙ LED Voltage(▲): 6V/12V/24V/110V/220V
- ⊙ The Crust Material(○): Stainless steel(S) Anodized(A)
- ⊙ IP Degree: IP65(IP67made to order),IK10



Specification	GQ22-11 ■D/Δ/▲/○	GQ22-11 ■E/Δ/▲/○
The Front Shape	Flat Round	Flat Round
Terminal Type	Pin Terminal(2.8×0.5mm)	Pin Terminal(2.8×0.5mm)
Switching	Za(double-break fast-motion changeover contact)	Za(double-break fast-motion changeover contact)
Max. Switch Rating	Ith:5A Ui:250V	Ith:5A Ui:250V
Contact Resistance	≤50mΩ	≤50mΩ
Insulation Resistance	≥1000MΩ	≥1000MΩ
Dielectric Intensity	2000VAC	2000VAC
Operating Temp	-20℃ ~ +55℃	-20℃ ~ +55℃
Mechanical Life	1,000,000 cycles	1,000,000 cycles
Electrical Life	50,000 cycles	50,000 cycles
Panel Thickness	1 ~ 8mm	1 ~ 8mm
Torque	5 ~ 14Nm	5 ~ 14Nm
Operation Pressure	About 5.5N	About 5.5N
Operation Travel	About 2.5 mm	About 2.5 mm
IP Degree	IP65(IP67 Made to order),IK10	IP65(IP67 Made to order),IK10
Material	Contact	Silver Alloy
	Button	Stainless Steel / Aluminum alloy(Black)
	Body	Stainless Steel / Aluminum alloy(Black)
	Base	PA
LED	RoHS	Made to order
	Type	Dot Illuminated(LED)
	Rated Voltage	6V / 12V / 24V / 110V / 220V
Spec.	Color	R G Y O B W
	Life	40000 hours