

HD14585B

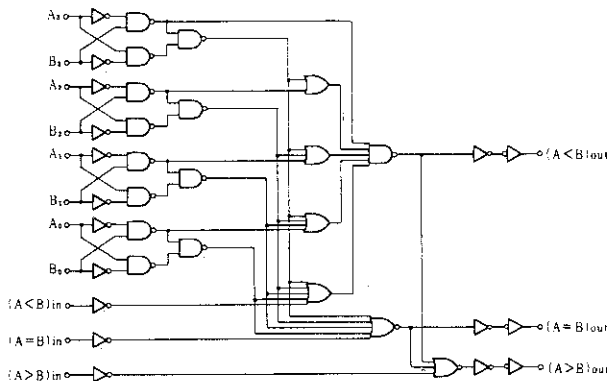
4-bit Magnitude Comparator

The HD14585B 4-bit Magnitude Comparator has eight comparing inputs ($A_3, B_3, A_2, B_2, A_1, B_1, A_0, B_0$), three cascading inputs ($A < B, A = B$ and $A > B$), and three outputs ($A < B, A = B, A > B$). This device compares two 4-bit words (A and B) and determines whether they are "less than", "equal to", or "greater than" by a high level on the appropriate output. For words greater than 4-bits, units can be cascaded by connecting outputs ($A < B$), and ($A = B$) to the corresponding inputs of the next significant comparator (input $A > B$ is connected to a high). Inputs ($A < B$), ($A = B$), and ($A > B$) on the least significant (first) comparator are connected to a low, a high, and a high, respectively. Applications include logic in CPU's, correction and/or detection of instrumentation conditions, comparator in testers, converters, and controls.

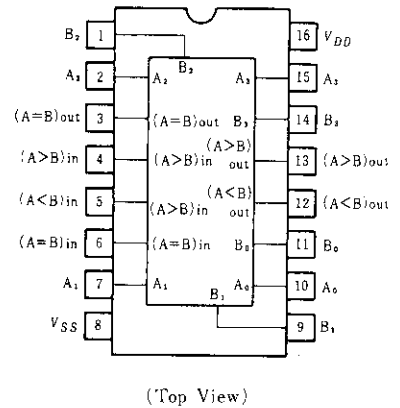
FEATURES

- Quiescent Current = 5nA/pkg typ. @5V
- Expandable
- Applicable to Binary or 8421-BCD Code
- Supply Voltage Range = 3 to 18V
- Capable of Driving One Low-power Schottky TTL Load Over the Rated Temperature Range

LOGIC DIAGRAM



PIN ARRANGEMENT



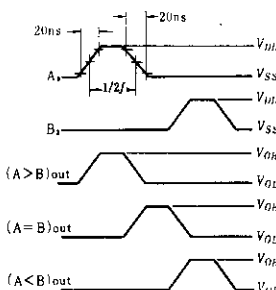
TRUTH TABLE

Inputs			Outputs			
Comparing			Cascading			
A_3, B_3	A_2, B_2	A_1, B_1	A_0, B_0	$A < B$	$A = B$	$A > B$
$A_3 > B_3$	x	x	x	x	1	0
$A_3 = B_3$	$A_2 > B_2$	x	x	x	1	0
$A_3 = B_3$	$A_2 = B_2$	$A_1 > B_1$	x	x	1	0
$A_3 = B_3$	$A_2 = B_2$	$A_1 = B_1$	$A_0 > B_0$	x	x	1
$A_3 = B_3$	$A_2 = B_2$	$A_1 = B_1$	$A_0 = B_0$	0	0	1
$A_3 = B_3$	$A_2 = B_2$	$A_1 = B_1$	$A_0 = B_0$	0	1	1
$A_3 = B_3$	$A_2 = B_2$	$A_1 = B_1$	$A_0 = B_0$	1	0	1
$A_3 = B_3$	$A_2 = B_2$	$A_1 < B_1$	x	x	x	1
$A_3 = B_3$	$A_2 < B_2$	x	x	x	x	1
$A_3 < B_3$	x	x	x	x	x	1

x : Don't Care

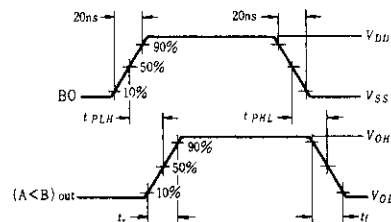
DYNAMIC SIGNAL WAVEFORMS

Power Dissipation Signal Waveform



Notes) 1. Inputs ($A > B$) and ($A = B$) high, and inputs $B_2, A_2, B_1, A_1, B_0, A_0$ and ($A < B$) low.
2. f in respect to a system clock.

Dynamic Signal Waveforms



Note) Inputs ($A > B$) and ($A = B$) high, and inputs $B_2, A_2, B_1, A_1, B_0, A_0$ and ($A < B$) low.

ELECTRICAL CHARACTERISTICS

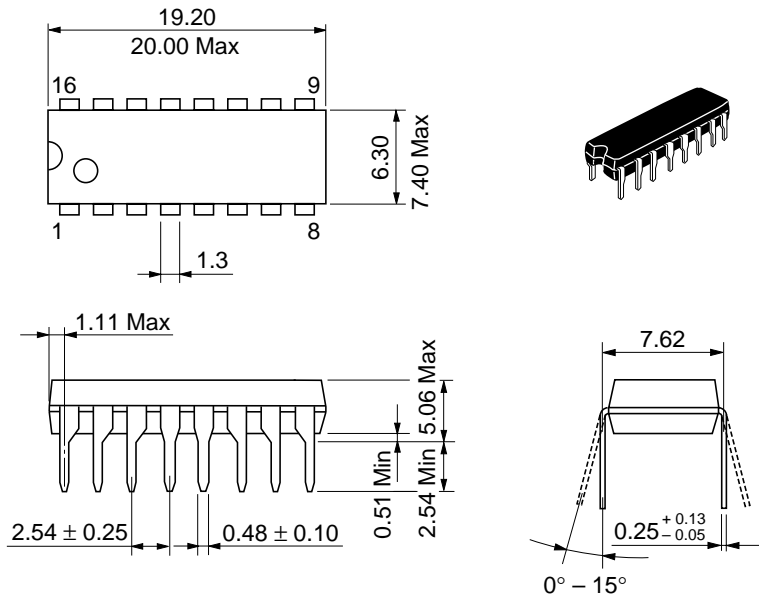
Characteristic	Symbol	$V_{DD}(V)$	Test Conditions	-40°C		25°C			85°C		Unit
				min	max	min	typ	max	min	max	
Output Voltage	V_{OL}	5.0	$V_{in}=V_{DD}$ or 0	-	0.05	-	0	0.05	-	0.05	V
		10		-	0.05	-	0	0.05	-	0.05	
		15		-	0.05	-	0	0.05	-	0.05	
	V_{OH}	5.0	$V_{in}=0$ or V_{DD}	4.95	-	4.95	5.0	-	4.95	-	V
		10		9.95	-	9.95	10	-	9.95	-	
		15		14.95	-	14.95	15	-	14.95	-	
Input Voltage	V_{IL}	5.0	$V_{out}=4.5$ or $0.5V$	-	1.5	-	2.25	1.5	-	1.5	V
		10	$V_{out}=9.0$ or $1.0V$	-	3.0	-	4.50	3.0	-	3.0	
		15	$V_{out}=13.5$ or $1.5V$	-	4.0	-	6.75	4.0	-	4.0	
	V_{IH}	5.0	$V_{out}=0.5$ or $4.5V$	3.5	-	3.5	2.75	-	3.5	-	V
		10	$V_{out}=1.0$ or $9.0V$	7.0	-	7.0	5.50	-	7.0	-	
		15	$V_{out}=1.5$ or $13.5V$	11.0	-	11.0	8.25	-	11.0	-	
Output Drive Current	I_{OH}	5.0	$V_{OH}=2.5V$	-1.0	-	-0.8	-1.7	-	-0.6	-	mA
		5.0	$V_{OH}=4.6V$	-0.2	-	-0.16	-0.36	-	-0.12	-	
		10	$V_{OH}=9.5V$	-0.5	-	-0.4	-0.9	-	-0.3	-	
		15	$V_{OH}=13.5V$	-1.4	-	-1.2	-3.5	-	-1.0	-	
	I_{OL}	5.0	$V_{OL}=0.4V$	0.52	-	0.44	0.88	-	0.36	-	mA
		10	$V_{OL}=0.5V$	1.3	-	1.1	2.25	-	0.9	-	
15		$V_{OL}=1.5V$	3.6	-	3.0	8.8	-	2.4	-		
Input Current	I_{in}	15		-	± 0.3	-	± 0.00001	± 0.3	-	± 1.0	μA
Input Capacitance	C_{in}		$V_{in}=0$	-	-	-	5.0	7.5	-	-	pF
Quiescent Current	I_{DD}	5.0	Zero Signal, per Package	-	20	-	0.005	20	-	150	μA
		10		-	40	-	0.010	40	-	300	
		15		-	80	-	0.015	80	-	600	
Total Supply Current*	I_T	5.0	Dynamic + I_{DD} ,	-	-	-	0.6	-	-	-	μA
		10	$C_L=50pF$, $f=1$ kHz,	-	-	-	1.2	-	-	-	
		15	per Gate	-	-	-	1.8	-	-	-	

* To calculate total supply current at frequency other than 1kHz.

@ $V_{DD}=5.0V$ $I_T=(0.6\mu A/kHz)f+I_{DD}$ @ $V_{DD}=10V$ $I_T=(1.2\mu A/kHz)f+I_{DD}$ @ $V_{DD}=15V$ $I_T=(1.8\mu A/kHz)f+I_{DD}$

SWITCHING CHARACTERISTICS ($C_L=50pF$, $T_a=25^\circ C$)

Characteristic	Symbol	$V_{DD}(V)$	min	typ	max	Unit
Output Rise Time	t_r	5.0	-	180	400	ns
		10	-	90	200	
		15	-	65	160	
Output Fall Time	t_f	5.0	-	100	200	ns
		10	-	50	100	
		15	-	37	80	
Propagation Delay Time	t_{PLH} t_{PHL}	5.0	-	430	1125	ns
		10	-	180	450	
		15	-	130	330	



Hitachi Code	DP-16
JEDEC	Conforms
EIAJ	Conforms
Weight (reference value)	1.07 g

Cautions

1. Hitachi neither warrants nor grants licenses of any rights of Hitachi's or any third party's patent, copyright, trademark, or other intellectual property rights for information contained in this document. Hitachi bears no responsibility for problems that may arise with third party's rights, including intellectual property rights, in connection with use of the information contained in this document.
2. Products and product specifications may be subject to change without notice. Confirm that you have received the latest product standards or specifications before final design, purchase or use.
3. Hitachi makes every attempt to ensure that its products are of high quality and reliability. However, contact Hitachi's sales office before using the product in an application that demands especially high quality and reliability or where its failure or malfunction may directly threaten human life or cause risk of bodily injury, such as aerospace, aeronautics, nuclear power, combustion control, transportation, traffic, safety equipment or medical equipment for life support.
4. Design your application so that the product is used within the ranges guaranteed by Hitachi particularly for maximum rating, operating supply voltage range, heat radiation characteristics, installation conditions and other characteristics. Hitachi bears no responsibility for failure or damage when used beyond the guaranteed ranges. Even within the guaranteed ranges, consider normally foreseeable failure rates or failure modes in semiconductor devices and employ systemic measures such as fail-safes, so that the equipment incorporating Hitachi product does not cause bodily injury, fire or other consequential damage due to operation of the Hitachi product.
5. This product is not designed to be radiation resistant.
6. No one is permitted to reproduce or duplicate, in any form, the whole or part of this document without written approval from Hitachi.
7. Contact Hitachi's sales office for any questions regarding this document or Hitachi semiconductor products.

HITACHI

Hitachi, Ltd.

Semiconductor & Integrated Circuits.
Nippon Bldg., 2-6-2, Ohte-machi, Chiyoda-ku, Tokyo 100-0004, Japan
Tel: Tokyo (03) 3270-2111 Fax: (03) 3270-5109

URL North America : <http://semiconductor.hitachi.com/>
Europe : <http://www.hitachi-eu.com/hel/ecg>
Asia (Singapore) : <http://www.has.hitachi.com.sg/grp3/sicd/index.htm>
Asia (Taiwan) : http://www.hitachi.com.tw/E/Product/SICD_Frame.htm
Asia (HongKong) : <http://www.hitachi.com.hk/eng/bo/grp3/index.htm>
Japan : <http://www.hitachi.co.jp/Sicd/indx.htm>

For further information write to:

Hitachi Semiconductor
(America) Inc.
179 East Tasman Drive,
San Jose, CA 95134
Tel: <1> (408) 433-1990
Fax: <1> (408) 433-0223

Hitachi Europe GmbH
Electronic components Group
Dornacher Straße 3
D-85622 Feldkirchen, Munich
Germany
Tel: <49> (89) 9 9180-0
Fax: <49> (89) 9 29 30 00

Hitachi Europe Ltd.
Electronic Components Group.
Whitebrook Park
Lower Cookham Road
Maidenhead
Berkshire SL6 8YA, United Kingdom
Tel: <44> (1628) 585000
Fax: <44> (1628) 778322

Hitachi Asia Pte. Ltd.
16 Collyer Quay #20-00
Hitachi Tower
Singapore 049318
Tel: 535-2100
Fax: 535-1533

Hitachi Asia Ltd.
Taipei Branch Office
3F, Hung Kuo Building, No.167,
Tun-Hwa North Road, Taipei (105)
Tel: <886> (2) 2718-3666
Fax: <886> (2) 2718-8180

Hitachi Asia (Hong Kong) Ltd.
Group III (Electronic Components)
7/F., North Tower, World Finance Centre,
Harbour City, Canton Road, Tsim Sha Tsui,
Kowloon, Hong Kong
Tel: <852> (2) 735 9218
Fax: <852> (2) 730 0281
Telex: 40815 HITEC HX

Copyright ' Hitachi, Ltd., 1999. All rights reserved. Printed in Japan.

HITACHI

This datasheet has been download from:

www.datasheetcatalog.com

Datasheets for electronics components.