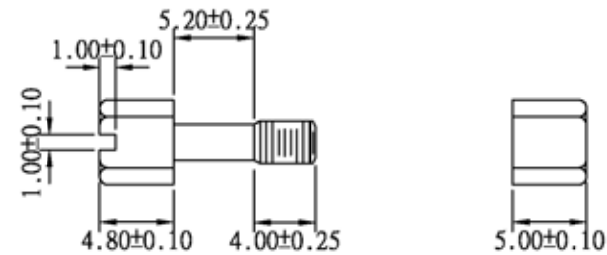


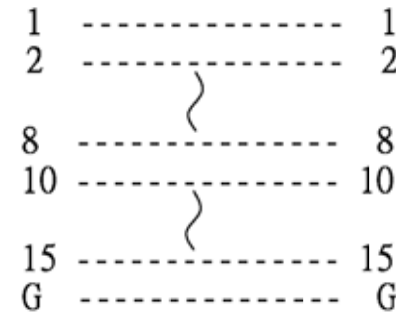
UNC #4-40 Hexscrew UNC #4-40 Hexnut



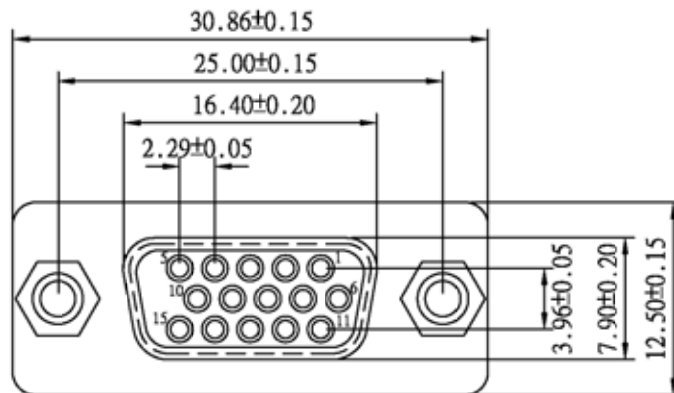
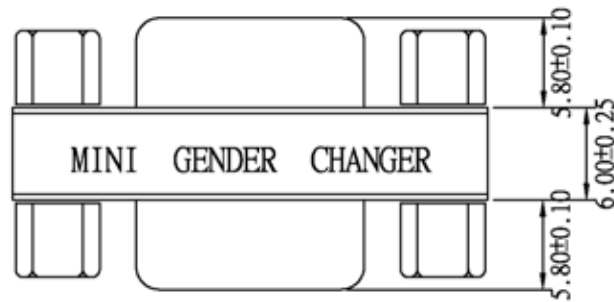
HD 15 F/F GENDER CHANGER

PIN OUT: 15Female

15Female



MINI GENDER CHANGER



Label: yellow color with black character

One side: MINI GENDER CHANGER

The other side: U.S.A. PATENT 5199906 GENDER CHANGER

SPECIFICATION

INSULATOR: PBT Glass fibre reinforced UL 94 VO

CONTACT: Brass

CONTACT PLATING: Gold plated over nickel

SHELL: Tin plated shell

CURRENT RATING: 3 AMP

DIELECTRIC STRENGTH: 1000V AC for one minute

INSULATOR RESISTANCE: 1000MΩ min at 500V DC

TEMPERATURE: -55°C—+105°C

PART NO. HDX2-FS-1515

DWG NO. HDX2-FS-1515

FILE NO.

UNIT / mm

SCALE 1:1

APPROVED BY CY

DRAWING BY

PROJECTION



TOLERANCES ARE

X ±0.20
XX ±0.15
XXX ±0.05
AWG

DESCRIPTION:

HDX2-FS-1515-LF

AREA

REVISIONS

HK

DATE