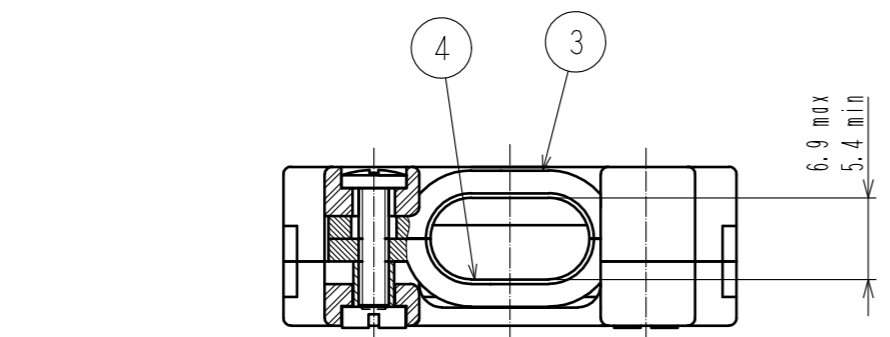
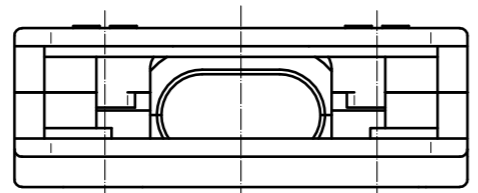
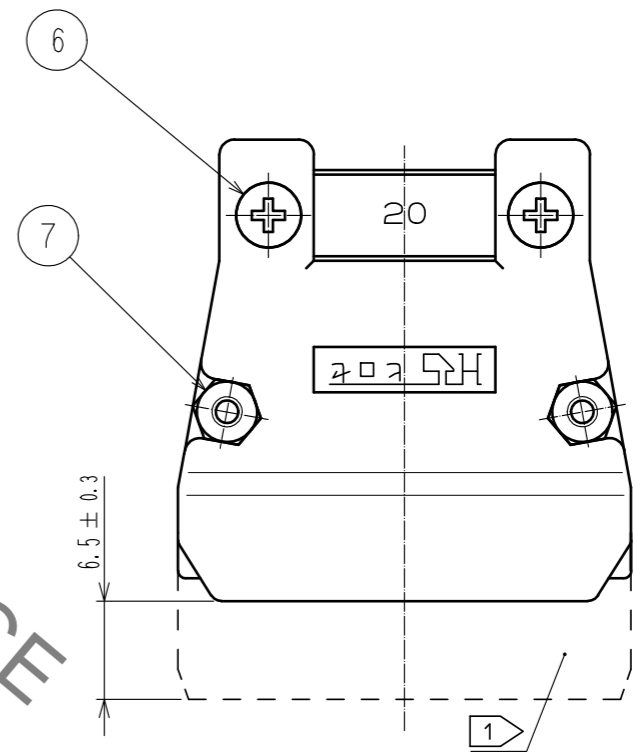
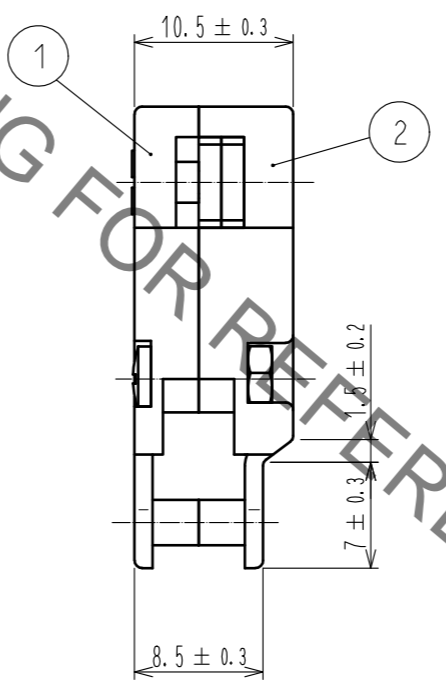
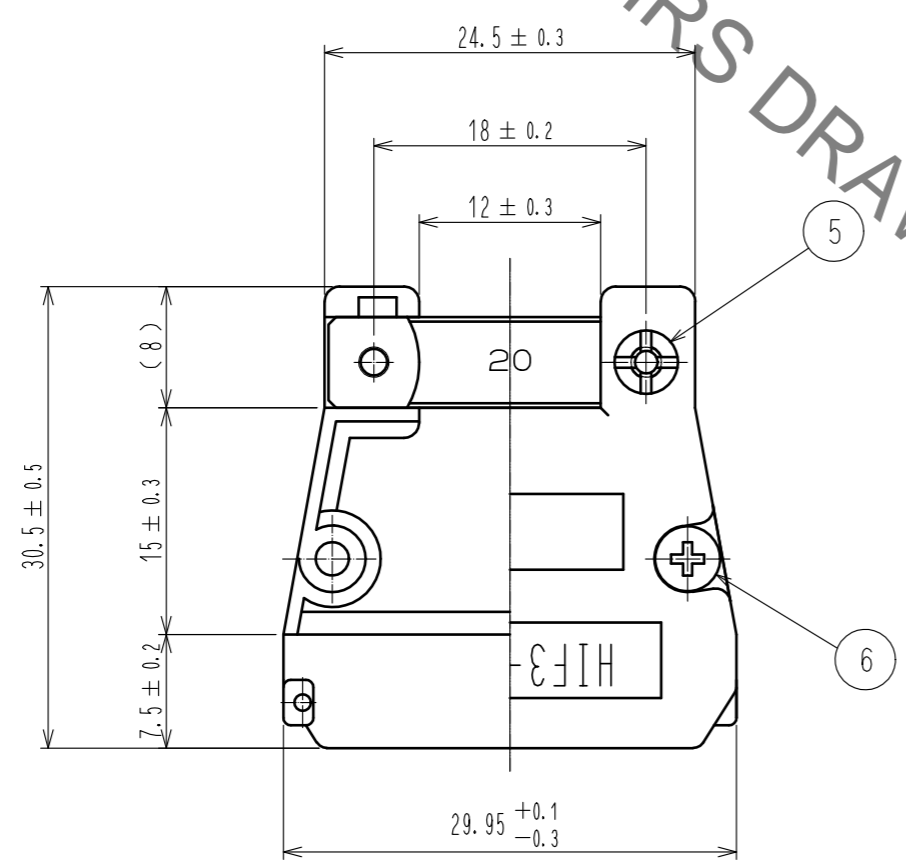


Sep.1.2019 Copyright 2019 HIROSE ELECTRIC CO., LTD. All Rights Reserved.
In case of consideration for using Automotive equipment / device which demand high reliability, kindly contact our sales window correspondents.



- Notes
- 1 Applicable housing to the Cover Case shall be as following. HIF3BA-20D-2.54C
 - 2 Pack part 3-7 in one bag. The bag, case(A) and (B) are to be packed together.
 - 3 The dimensions in parentheses are for reference.
 - 4 This product does not accept a pin header with F type lock as a corresponding connector.



NO.	MATERIAL	FINISH .	REMARKS	NO.	MATERIAL	FINISH .	REMARKS
4	STEEL		NICKEL PLATING	7	BRASS		NICKEL PLATING, M2 NUT
3	STEEL		NICKEL PLATING	6	BRASS		NICKEL PLATING M2, L=8, SELF-BINDING SCREW
2	ABS	BLACK	UL94V-0	5	BRASS		NICKEL PLATING
1	ABS	BLACK	UL94V-0				

UNITS	SCALE	COUNT	DESCRIPTION OF REVISIONS	DESIGNED	CHECKED	DATE
mm	2 : 1	1	APPROVED : HT. YAMAGUCHI 18.08.02			
			CHECKED : HT. YAMAGUCHI 18.08.02			
			DESIGNED : TM. NAKAJIMA 18.08.01			
			DRAWN : MK. OOKI 18.07.31			

DRAWING NO.	EDC-016701-72-23
PART NO.	HIF3-20CV<72>
CODE NO.	CL562-0201-0-72