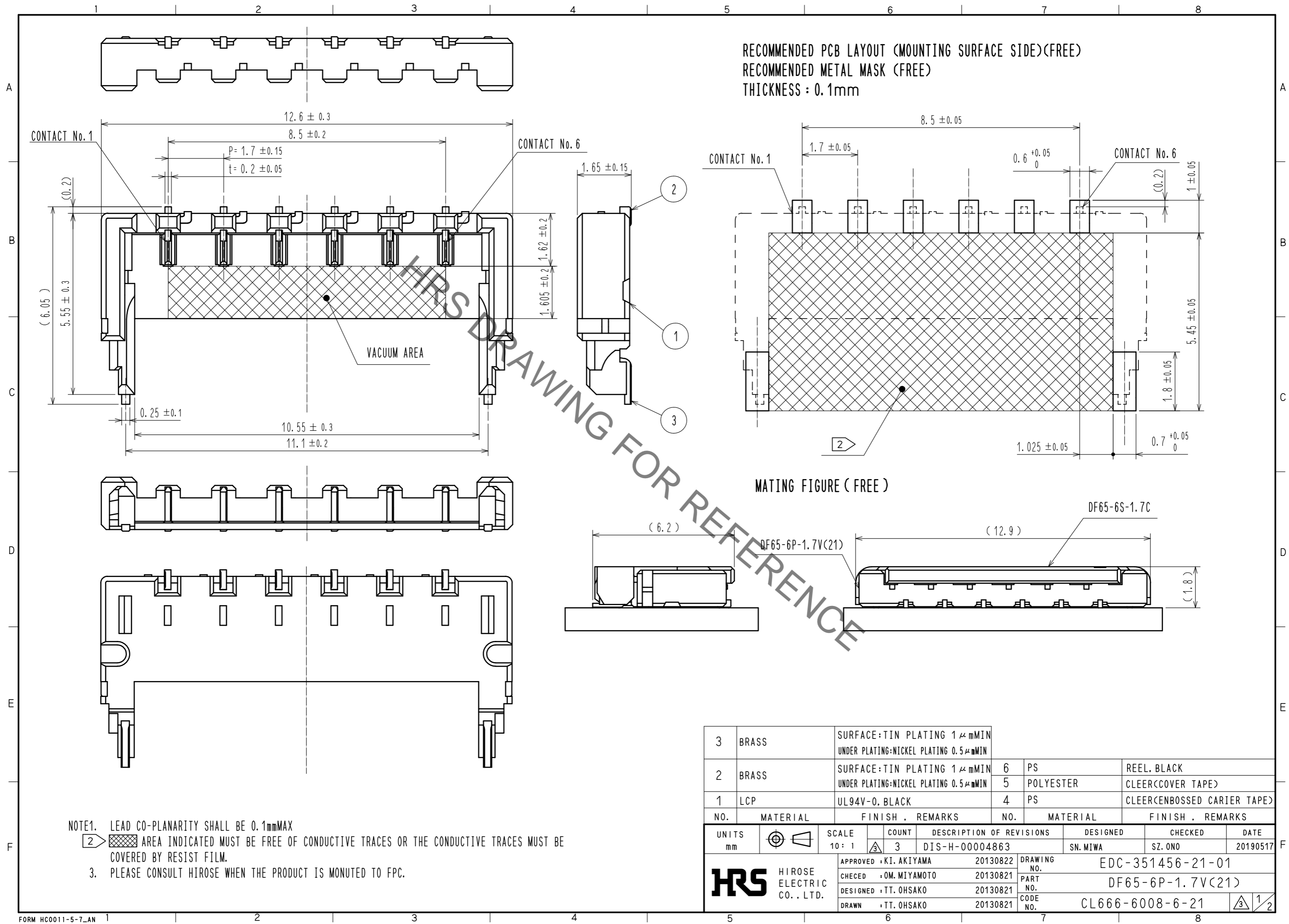


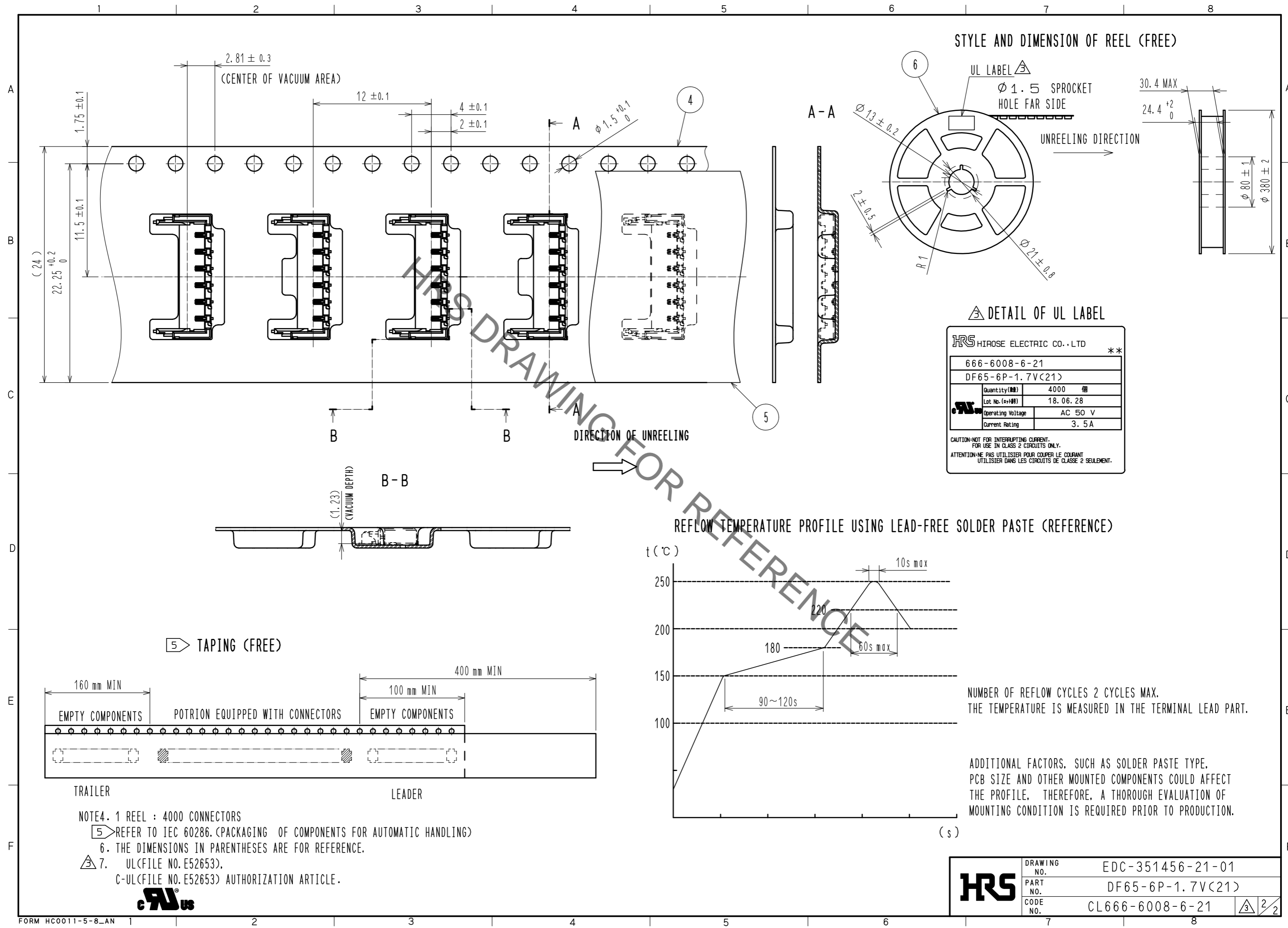
Sep.1.2019 Copyright 2019 HIROSE ELECTRIC CO., LTD. All Rights Reserved.
 In case of consideration for using Automotive equipment / device which demand high reliability, kindly contact our sales window correspondents.



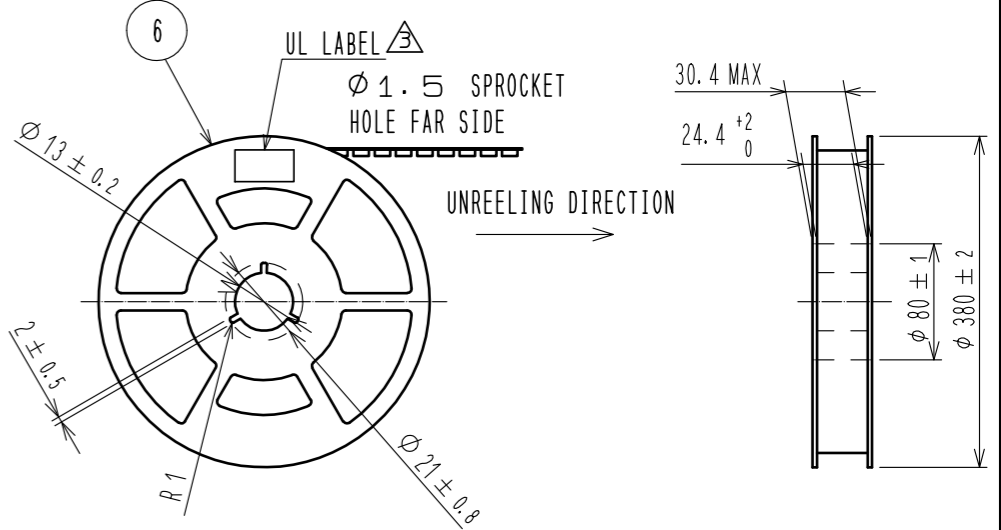
NOTE1. LEAD CO-PLANARITY SHALL BE 0.1mmMAX
 2. AREA INDICATED MUST BE FREE OF CONDUCTIVE TRACES OR THE CONDUCTIVE TRACES MUST BE COVERED BY RESIST FILM.
 3. PLEASE CONSULT HIROSE WHEN THE PRODUCT IS MONUTED TO FPC.

3	BRASS	SURFACE:TIN PLATING 1 μmMIN UNDER PLATING:NICKEL PLATING 0.5 μmMIN			
2	BRASS	SURFACE:TIN PLATING 1 μmMIN UNDER PLATING:NICKEL PLATING 0.5 μmMIN	6	PS	REEL. BLACK
1	LCP	UL94V-0. BLACK	5	POLYESTER	CLEER(COVER TAPE)
			4	PS	CLEER(CENBOSSED CARRIER TAPE)
NO.	MATERIAL	FINISH . REMARKS	NO.	MATERIAL	FINISH . REMARKS
UNITS	mm	SCALE	10:1	COUNT	3
DESCRIPTION OF REVISIONS			DESIGNED	CHECKED	DATE
DIS-H-00004863			SN.MIWA	SZ.ONO	20190517
APPROVED : KI. AKIYAMA			DRAWING NO. EDC-351456-21-01		
CHECKED : OM. MIYAMOTO			PART NO. DF65-6P-1.7V(21)		
DESIGNED : TT. OHSAKO			CODE NO. CL666-6008-6-21		
DRAWN : TT. OHSAKO			1/2		

Sep.1.2019 Copyright 2019 HIROSE ELECTRIC CO., LTD. All Rights Reserved.
In case of consideration for using Automotive equipment / device which demand high reliability, kindly contact our sales window correspondents.



STYLE AND DIMENSION OF REEL (FREE)

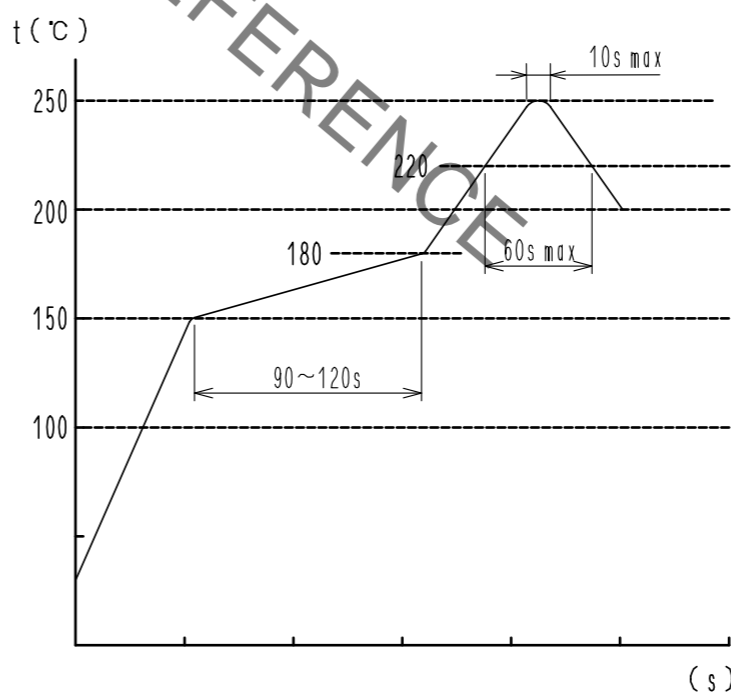


DETAIL OF UL LABEL

HRS HIROSE ELECTRIC CO., LTD		**
666-6008-6-21		
DF65-6P-1.7V<21>		
Quantity (個)	4000	個
Lot No. (s+1#)	18.06.28	
Operating Voltage	AC 50 V	
Current Rating	3.5 A	

CAUTION-NOT FOR INTERRUPTING CURRENT.
FOR USE IN CLASS 2 CIRCUITS ONLY.
ATTENTION-NE PAS UTILISER POUR COUPER LE COURANT
UTILISER DANS LES CIRCUITS DE CLASSE 2 SEULEMENT.

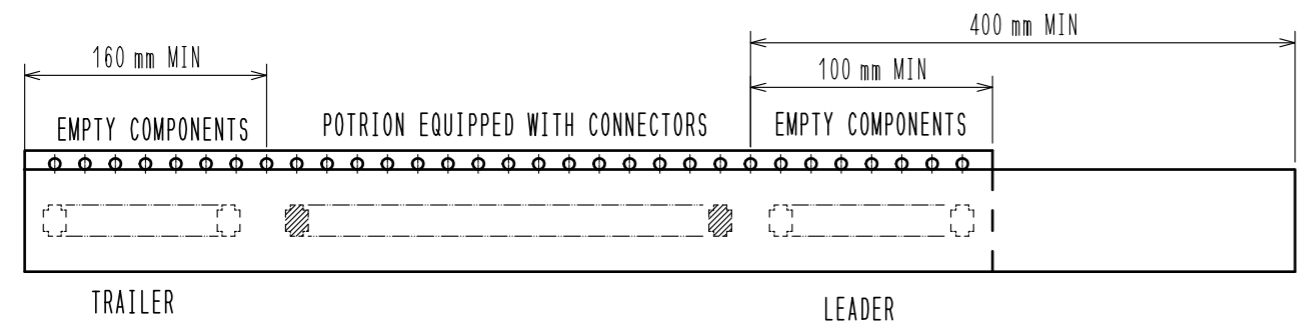
REFLOW TEMPERATURE PROFILE USING LEAD-FREE SOLDER PASTE (REFERENCE)



NUMBER OF REFLOW CYCLES 2 CYCLES MAX.
THE TEMPERATURE IS MEASURED IN THE TERMINAL LEAD PART.

ADDITIONAL FACTORS, SUCH AS SOLDER PASTE TYPE,
PCB SIZE AND OTHER MOUNTED COMPONENTS COULD AFFECT
THE PROFILE. THEREFORE, A THOROUGH EVALUATION OF
MOUNTING CONDITION IS REQUIRED PRIOR TO PRODUCTION.

TAPING (FREE)



- NOTE4. 1 REEL : 4000 CONNECTORS
 5 REFER TO IEC 60286. (PACKAGING OF COMPONENTS FOR AUTOMATIC HANDLING)
 6. THE DIMENSIONS IN PARENTHESES ARE FOR REFERENCE.
 7. UL (FILE NO. E52653).
 C-UL (FILE NO. E52653) AUTHORIZATION ARTICLE.



HRS	DRAWING NO.	EDC-351456-21-01
	PART NO.	DF65-6P-1.7V<21>
	CODE NO.	CL666-6008-6-21
		3/2