

MIL Compliant Product

HIF3M*W Series

MIL-C-83503



■ Features

1. MIL Compliant product

- MIL Compliant product (MIL-C-83503)
- Suited for wide range of applications (both internal and external connections)
- Mating compatible with HIF3 series

2. UL Certified

- UL certified connector

3. Mis-Insertion Prevention Mechanism

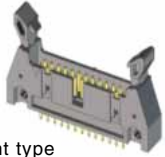
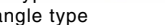
- Dual guide systems prevent mis-insertion
 1. MIL-compliant guide key (polarizing key) system
The guide system matches the convex shape on the pin header (polarizing key attached) with the concave shape on the socket (polarizing key cavity).
 2. Polarizing guide/slot system
The guide system matches the polarizing slot on the pin header with polarizing guide (mis-insertion prevention guide) on the socket.

4. Superior Usability


- A wide lock on the pin header and the long depth of the socket clamp makes push/pull action easier.
- The body and the protector of the socket can be detached, which makes cable assembly operation easier.

■ HIF3M*W Series Products

● Pin header

HIF3M*W
MIL type pin header


Straight type Right angle type

● Socket

HIF3M*W
MIL type pin cable socket


■ Product specification

Ratings	Rated current 1A	Rated voltage AC200V
	Operating temperature : -55°C to 85°C (Note 1)	Operating humidity range : Relative humidity 85% or less (No condensation)
	Storage temperature : -10°C to 60°C (Note 2)	Storage humidity range : 5% to 85% (Note 2)

Items	Specifications	Conditions
1. Insulation resistance	1,000MΩ or more	Measured at DC500V
2. Withstand voltage	No flashover, breakdown	650V AC/1 minute
3. Contact resistance	15mΩ or less	Measured at 0.1A
4. Vibration resistance	No electrical shut-off of 1μs or more	Frequency 10-55Hz, half amplitude 0.75mm, 2 hours in 3-axial directions
5. Moisture resistance	Insulation resistance : 1,000MΩ or more	Temperature 40±2°C, humidity left for 96 hours in 90 to 95%
6. Temperature cycle	No damage, cracks, or parts looseness.	Temperature -55 → 5 to 35 → 125 → 5 to 35°C Time tested for 30 → 5 → 30 → 5 minutes, 5 cycles
7. Push-pull life	Contact resistance : 15mΩ or less	500 times of push-pull actions
8. Soldering heat resistance	No deformation of components affecting performance.	Solder bath : 260°C for 10 seconds Hand soldering : Temperature of soldering iron 360°C,

Note 1 : Includes temperature rise caused by current flow.

Note 2 : The term "storage" refers to products stored for long period of time prior to mounting and use. Operating Temperature Range and Humidity range covers non conducting condition of installed connectors in storage, shipment or during transportation.

■ Materials / Finish

● Pin header

Parts	Material	Color / Finish	Remarks
Lock	PBT	Black	UL94V-0
Insulator			
Contact	Brass	Contact part : gold plated 0.15μm MIN.	—
		Dip part : pure tin plated 2μm MIN.	—

● Socket

Parts	Material	Color processing	Remarks
Insulator	PBT	Black	UL94V-0
Contact terminal	Copper alloy	Contact part : gold plated 0.15μm MIN.	—
		IDC part : nickel plated 2.5μm MIN.	—

Product Number Structure

Refer to the chart below when determining the product specifications from the product number.
Please select from the product numbers listed in this catalog when placing orders.

● Pin header (Right angle)

HIF **3** **M*W** - ***** **PA** - **2.54** **DS**

① ② ③ ④ ⑤ ⑥ ⑦

● Pin header (Straight)

HIF **3** **M*W** - ***** **PA** - **2.54** **DSA**

① ② ③ ④ ⑤ ⑥ ⑦

● Socket

HIF **3** **M*W** - ***** **D** - **2.54** **R**

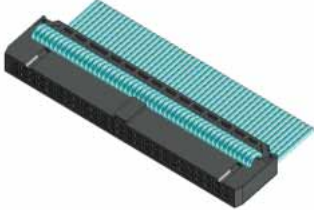
① ② ③ ④ ⑤ ⑥ ⑦

① Series name	HIF	⑤ Contact style	P : Pin header
② Series No.	3		A : Selective gold plated
③ Contact alignment	Pin header MAW : Total positions, MBW : 50,60, 64 positions only, MDW : 10 positions only	⑥ Contact pitch	D : Double
	Socket MAW : Total positions, MBW : 50, 60,64 positions only. Equipped with mis-insertion prevention guide	⑦ Product type	DS : Right angle type DSA : Straight type
④ Number of contacts	10,14,16,20,26,30,34,40,50,60,64		R : IDC

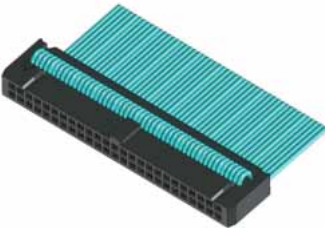
◆ HIF3 Series Mating Compatibility Wire-to-Board type

Receptacle socket side

Header side




◆ IDC connector
HIF3MAW-*D-2.54R
HIF3MBW-*D-2.54R




◆ IDC connector
HIF3A-*D-2.54R
HIF3B-*D-2.54R
HIF3BA-*D-2.54R

⚠ HIF3A-60D-2.54R and MIL type pin header can be mated only with HIF3BAE-60PA-2.54DS(A) Allows mating with other different number of positions and box type pin headers of HIF3A Series.




◆ Crimp connector
HIF3BA-*D-2.54C

MIL type pin header
HIF3M*W Series




◆ Straight type with lock
HIF3MAW-*PA-2.54DSA
HIF3MBW-*PA-2.54DSA
HIF3MDW-*PA-2.54DSA




◆ Right angle type with lock
HIF3MAW-*PA-2.54DS
HIF3MBW-*PA-2.54DS
HIF3MDW-*PA-2.54DS

MIL type pin header
HIF3B Series




◆ Straight type with lock
HIF3BA-*PA-2.54DSA
HIF3BB-*PA-2.54DSA
HIF3BD-*PA-2.54DSA




◆ Right angle type with lock
HIF3BA-*PA-2.54DS
HIF3BB-*PA-2.54DS
HIF3BD-*PA-2.54DS

MIL type F Pin header with lock
HIF3BAF Series

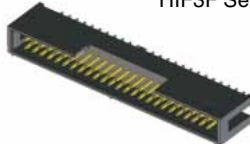


◆ Straight type
HIF3BAF-*PA-2.54DSA




◆ Right angle type
HIF3BAF-*PA-2.54DS

Box type pin header
HIF3F Series

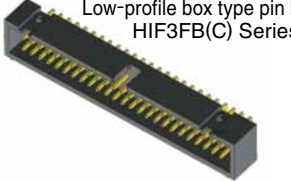


◆ Straight type
HIF3F-*PA-2.54DSA




◆ Right angle type
HIF3F-*PA-2.54DS

Low-profile box type pin header
HIF3FB(C) Series




◆ Straight type
HIF3FB-*PA-2.54DSA
HIF3FC-*PA-2.54DSA




◆ Right angle type
HIF3FB-*PA-2.54DS
HIF3FC-*PA-2.54DS

Pin header
HIF3E Series

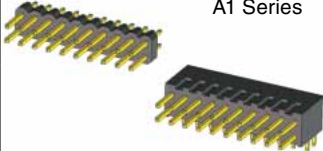


◆ Straight type
HIF3E-*PA-2.54DSA

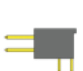


◆ Right angle type
HIF3E-*PA-2.54DSA

Pin header
A1 Series

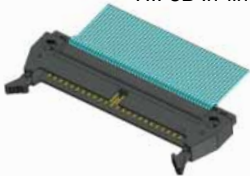


◆ Straight type
A1-*PA-2.54DSA



◆ Right angle type
A1-*PA-2.54DS

Ribbon cable plug
HIF3B In-line type

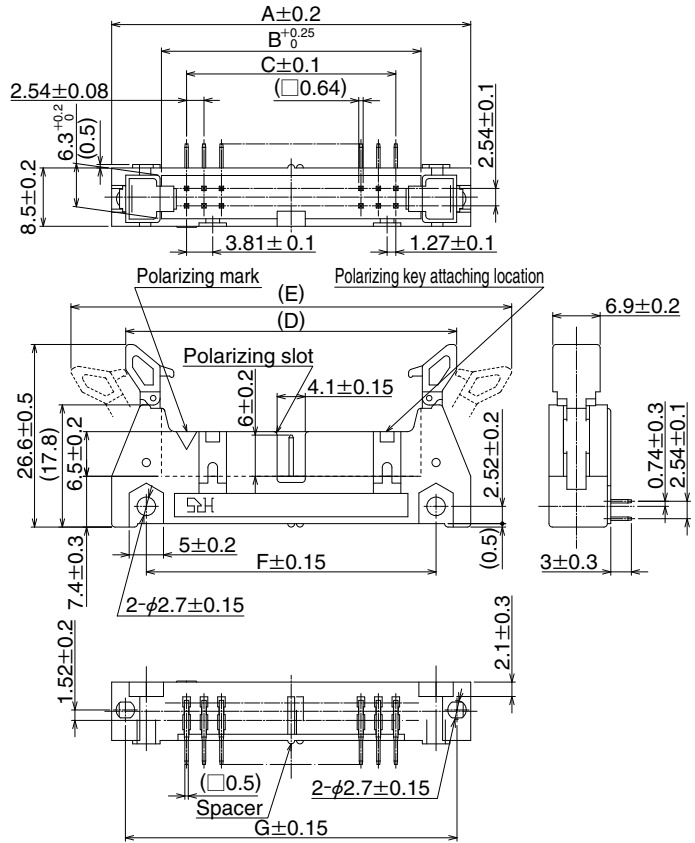


◆ In-line type
HIF3BA-*PD-2.54R-MC

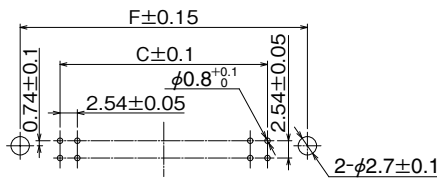
Jan. 1. 2021 Copyright 2021 HIROSE ELECTRIC CO., LTD. All Rights Reserved.

4-wall right angle through hole

•HIF3M*W-**PA-2.54DS



Recommended PCB Layout



*As the number of polarizing slots and polarizing keys differs for each part, please refer to the table below and the list of polarization properties in HIF3M*W Series on page 7.
 *The spacer moves to the right according to the number of positions.

Unit : mm

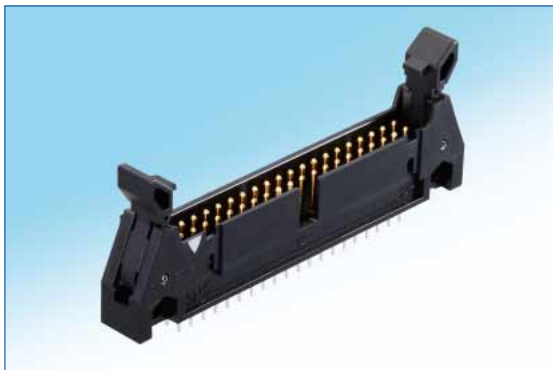
Part No.	HRS No.	No. of Contacts	A	B	C	D	E	F	G	Polarizing slot	Polarizing key	RoHS	
★ HIF3MAW-10PA-2.54DS(63)	610-3500-6 63	10	32	17.5	10.16	28.14	51.1	21.8	27.9	0	1	YES	
HIF3MDW-10PA-2.54DS(63)	610-3501-9 63										0		
★ HIF3MAW-14PA-2.54DS(63)	610-3502-1 63	14	37.1	22.6	15.24	33.24	56.2	26.9	33	1	YES		
★ HIF3MAW-16PA-2.54DS(63)	610-3503-4 63	16	39.6	25.1	17.78	35.74	58.7	29.5	35.5	1			
★ HIF3MAW-20PA-2.54DS(63)	610-3504-7 63	20	44.7	30.2	22.86	40.84	63.8	34.5	40.6				
★ HIF3MAW-26PA-2.54DS(63)	610-3505-0 63	26	52.3	37.8	30.48	48.44	71.4	42.2	48.3				
★ HIF3MAW-30PA-2.54DS(63)	610-3506-2 63	30	57.4	42.9	35.56	53.54	76.5	47.2	53.3				
★ HIF3MAW-34PA-2.54DS(63)	610-3507-5 63	34	62.5	48	40.64	58.64	81.6	52.3	58.4				
★ HIF3MAW-40PA-2.54DS(63)	610-3508-8 63	40	70.1	55.6	48.26	66.24	89.2	59.9	66				
★ HIF3MAW-50PA-2.54DS(63)	610-3509-0 63	50	82.8	68.3	60.96	78.94	101.9	72.6	78.7				2 ※
★ HIF3MBW-50PA-2.54DS(63)	610-3510-0 63											1	
★ HIF3MAW-60PA-2.54DS(63)	610-3511-2 63	60	95.5	81	73.66	91.64	114.6	85.3	91.4	2 ※		1	
★ HIF3MBW-60PA-2.54DS(63)	610-3512-5 63									1			
★ HIF3MAW-64PA-2.54DS(63)	610-3513-8 63	64	100.6	86.1	78.74	96.74	119.7	90.4	96.5	2 ※	1		
★ HIF3MBW-64PA-2.54DS(63)	610-3514-0 63									1			

*Pitch of polarizing guide is 22.86mm.

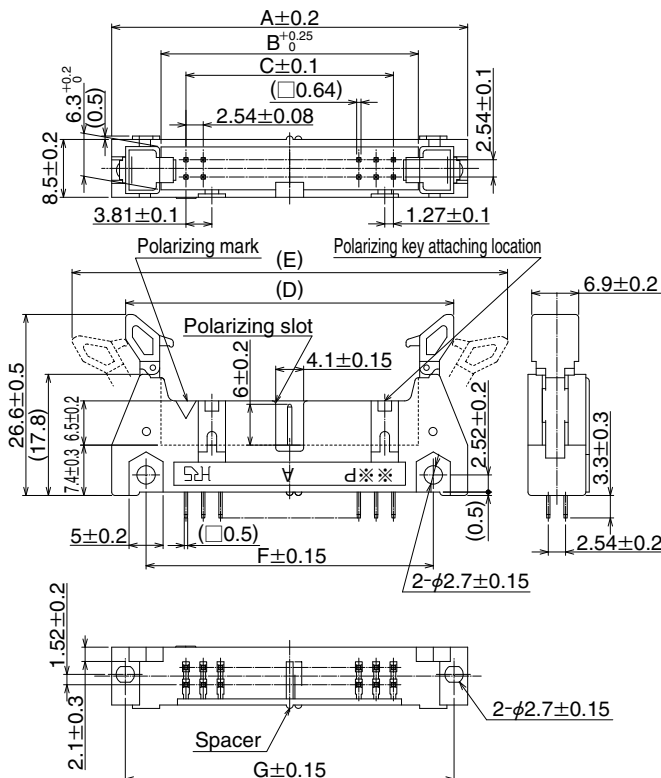
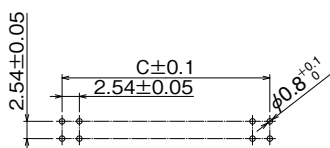
★ indicates MIL compliant product.

4-wall straight through hole

·HIF3M*W-**PA-2.54DSA



Recommended PCB Layout



*As the number of polarizing slots and polarizing keys differs for each part, please refer to the table below and the list of polarization properties in HIF3M*W Series on page 7.
 *The spacer moves to the right according to the number of positions.

Unit : mm

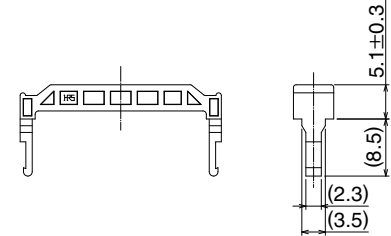
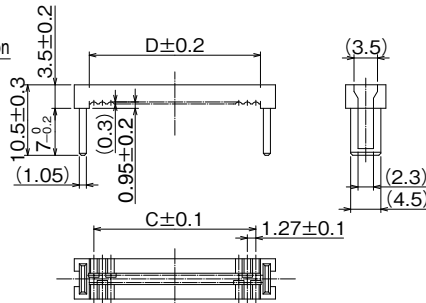
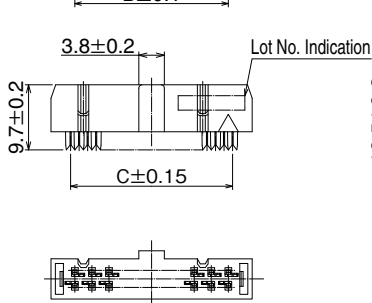
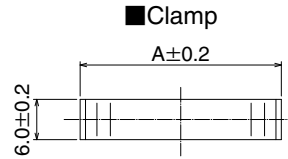
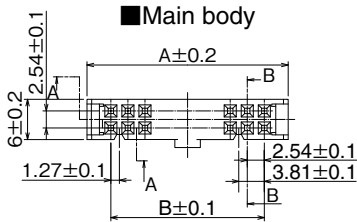
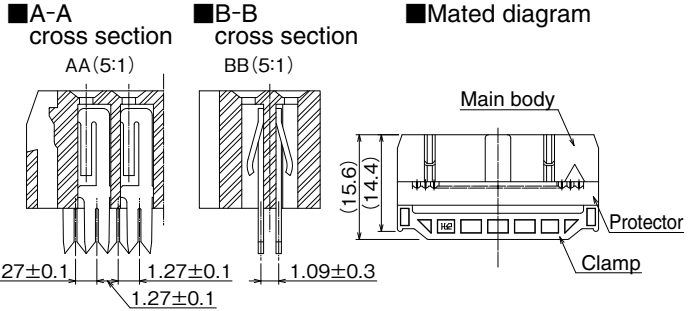
Part No.	HRS No.	No. of Contacts	A	B	C	D	E	F	G	Polarizing slot	Polarizing key	RoHS	
★ HIF3MAW-10PA-2.54DSA(63)	610-3600-0 63	10	32	17.5	10.16	28.14	51.1	21.8	27.9	0	1	YES	
HIF3MDW-10PA-2.54DSA(63)	610-3601-3 63										0		
★ HIF3MAW-14PA-2.54DSA(63)	610-3602-6 63	14	37.1	22.6	15.24	33.24	56.2	26.9	33	1	YES		
★ HIF3MAW-16PA-2.54DSA(63)	610-3603-9 63	16	39.6	25.1	17.78	35.74	58.7	29.5	35.5	1			
★ HIF3MAW-20PA-2.54DSA(63)	610-3604-1 63	20	44.7	30.2	22.86	40.84	63.8	34.5	40.6				
★ HIF3MAW-26PA-2.54DSA(63)	610-3505-4 63	26	52.3	37.8	30.48	48.44	71.4	42.2	48.3				
★ HIF3MAW-30PA-2.54DSA(63)	610-3606-7 63	30	57.4	42.9	35.56	53.54	76.5	47.2	53.3				
★ HIF3MAW-34PA-2.54DSA(63)	610-3607-0 63	34	62.5	48	40.64	58.64	81.6	52.3	58.4				
★ HIF3MAW-40PA-2.54DSA(63)	610-3608-2 63	40	70.1	55.6	48.26	66.24	89.2	59.9	66				
★ HIF3MAW-50PA-2.54DSA(63)	610-3609-5 63	50	82.8	68.3	60.96	78.94	101.9	72.6	78.7				2 ※
★ HIF3MBW-50PA-2.54DSA(63)	610-3610-4 63											1	
★ HIF3MAW-60PA-2.54DSA(63)	610-3611-7 63	60	95.5	81	73.66	91.64	114.6	85.3	91.4	2 ※		1	
★ HIF3MBW-60PA-2.54DSA(63)	610-3612-0 63									1			
★ HIF3MAW-64PA-2.54DSA(63)	610-3613-2 63	64	100.6	86.1	78.74	96.74	119.7	90.4	96.5	2 ※	1		
★ HIF3MBW-64PA-2.54DSA(63)	610-3614-5 63									1			

*Pitch of polarizing guide is 22.86mm.

★ indicates MIL compliant product.

Socket type (IDC, equipped with mis-insertion prevention guide)

• HIF3M*W-**D-2.54R



*As the number of polarizing guides and polarizing keyways differs for each part, please refer to the table below and the list of polarization properties in HIF3M*W Series on page 7.

Unit : mm

Part No.	HRS No.	No. of Contacts	A	B	C	D	Polarizing guide	Polarizing keyway	RoHS
★ HIF3MAW-10D-2.54R(63)	610-3002-9 63	10	17.27	10.16	11.43	12.8	1	1	YES
★ HIF3MAW-14D-2.54R(63)	610-3003-1 63	14	22.35	15.24	16.51	17.88			
★ HIF3MAW-16D-2.54R(63)	610-3004-4 63	16	24.89	17.78	19.05	20.42			
★ HIF3MAW-20D-2.54R(63)	610-2097-0 63	20	29.97	22.86	24.13	25.5			
★ HIF3MAW-26D-2.54R(63)	610-3005-7 63	26	37.59	30.48	31.75	33.12			
★ HIF3MAW-30D-2.54R(63)	610-2098-2 63	30	42.67	35.56	36.83	38.2			
★ HIF3MAW-34D-2.54R(63)	610-2099-5 63	34	47.75	40.64	41.91	43.28			
★ HIF3MAW-40D-2.54R(63)	610-2100-2 63	40	55.37	48.26	49.53	50.9		2	
★ HIF3MAW-50D-2.54R(63)	610-2101-5 63	50	68.07	60.96	62.23	63.6			
★ HIF3MBW-50D-2.54R(63)	610-2114-7 63					1			
★ HIF3MAW-60D-2.54R(63)	610-2102-8 63	60	80.77	73.66	74.93	76.3			
★ HIF3MBW-60D-2.54R(63)	610-2115-0 63					1			
★ HIF3MAW-64D-2.54R(63)	610-3006-0 63	64	85.85	78.74	80.01	81.38			
★ HIF3MBW-64D-2.54R(63)	610-0013-0 63					1			

*Pitch of polarizing guide is 22.86mm.

★ indicates MIL compliant product.

● Applicable cable

Conductor size (number of cores)	Jacket
28 AWG Flat Cable (7pcs./0.127mm) <UL2651>	0.9±0.1mm

◆ Applicable IDC tool

Type	Part No.	HRS No.
IDC Connection	HI-FLEX-HHP502	550-0082-2
Guide plate	HIF3-GPA2	550-0156-7
Pressure block	PRESS BLOCK A-01	550-0133-1

*Common to all No. of Contacts.

*Please refer to p.10 for the description on connection.

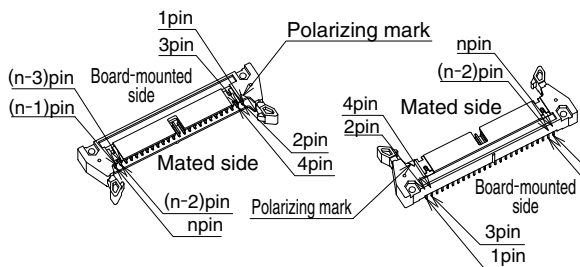
HIF3M*W Series List of polarization

Socket type				Header type				
Socket side part number	Polarizing guide	Polarizing key	Socket appearance	No. of Contacts	Pin header appearance	Polarizing slot	Polarizing key	Pin header part number
				10		0	1	·HIF3MAW-10PA-2.54DS(A)
·HIF3MAW-10D-2.54R	1	1				1	0	·HIF3MDW-10PA-2.54DS(A)
·HIF3MAW-14D-2.54R	1	1		14		1	1	·HIF3MAW-14PA-2.54DS(A)
·HIF3MAW-16D-2.54R ·HIF3MAW-20D-2.54R ·HIF3MAW-26D-2.54R ·HIF3MAW-30D-2.54R ·HIF3MAW-34D-2.54R ·HIF3MAW-40D-2.54R	1	2		16 to 40		1	2	·HIF3MAW-16PA-2.54DS(A) ·HIF3MAW-20PA-2.54DS(A) ·HIF3MAW-26PA-2.54DS(A) ·HIF3MAW-30PA-2.54DS(A) ·HIF3MAW-34PA-2.54DS(A) ·HIF3MAW-40PA-2.54DS(A)
·HIF3MBW-50D-2.54R ·HIF3MBW-60D-2.54R ·HIF3MBW-64D-2.54R	1	2		50 to 64		1	2	·HIF3MBW-50PA-2.54DS(A) ·HIF3MBW-60PA-2.54DS(A) ·HIF3MBW-64PA-2.54DS(A)
·HIF3MAW-50D-2.54R ·HIF3MAW-60D-2.54R ·HIF3MAW-64D-2.54R	2	2				2	2	·HIF3MAW-50PA-2.54DS(A) ·HIF3MAW-60PA-2.54DS(A) ·HIF3MAW-64PA-2.54DS(A)

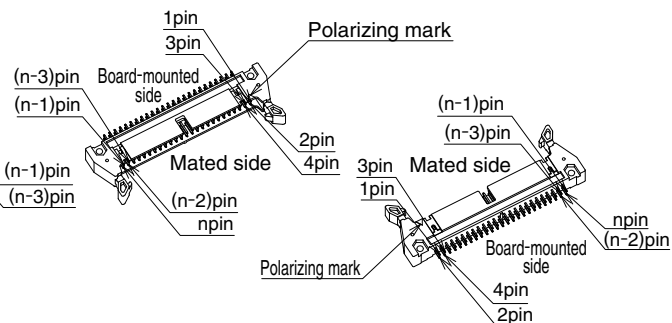
Pin configuration correlation diagram

When terminal Nos. are arranged as 1,2,3,4.....n beginning from the side of the polarizing mark, contact positions are as shown in the diagram below.

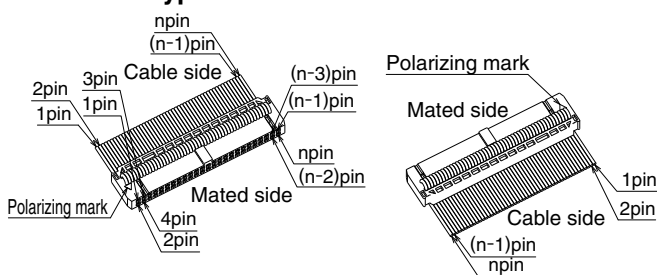
● Right angle dip solder



● Straight dip solder



● Socket type



Polarizing guide/slot : Mating combination

Compatible Mating Combinations

10 pos.

- ◆Socket
 - HIF3MAW-10D-2.54R



- ◆Pin header
 - HIF3MDW-10PA-2.54DS(A)
 - Number of polarizing guides 1 = Number of polarizing slots 1

50 to 64 pos.

- ◆Socket
 - HIF3MAW-**D-2.54R



- ◆Pin header
 - HIF3MAW-**PA-2.54DS(A)
 - Number of polarizing guides 2 = Number of polarizing slots 2

50 to 64 pos.

- ◆Socket
 - HIF3MBW-**D-2.54R



- ◆Pin header
 - HIF3MBW-**PA-2.54DS(A)
 - Number of polarizing guides 1 = Number of polarizing slots 1

Incompatible Mating Combinations

10 pos.

- ◆Socket
 - HIF3MAW-10D-2.54R



- ◆Pin header
 - HIF3MAW-10PA-2.54DS(A)
 - Number of polarizing guides 1 ≠ Number of polarizing slots 0

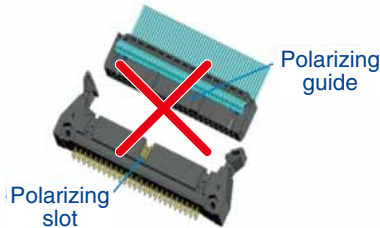


50 to 64 pos.

- ◆Socket
 - HIF3MAW-*D-2.54R



- ◆Pin header
 - HIF3MBW-*PA-2.54DS(A)
 - Number of polarizing guides 2 ≠ Number of polarizing slots 1

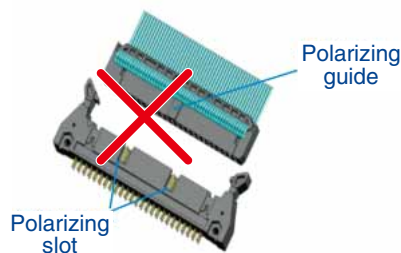


50 to 64 pos.

- ◆Socket
 - HIF3MBW-*D-2.54R



- ◆Pin header
 - HIF3MAW-*PA-2.54DS(A)
 - Number of polarizing guides 1 ≠ Number of polarizing slots 2

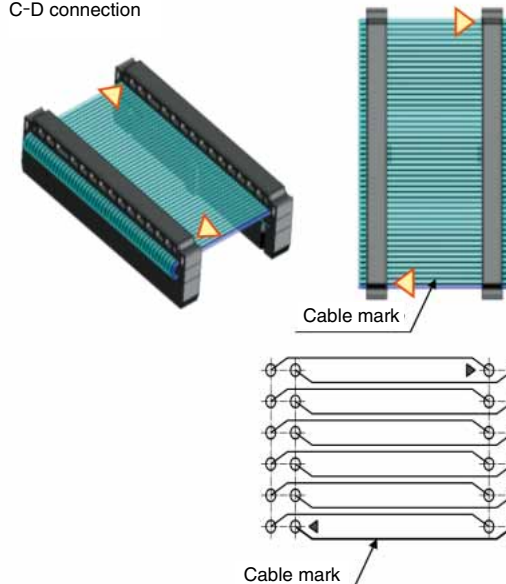
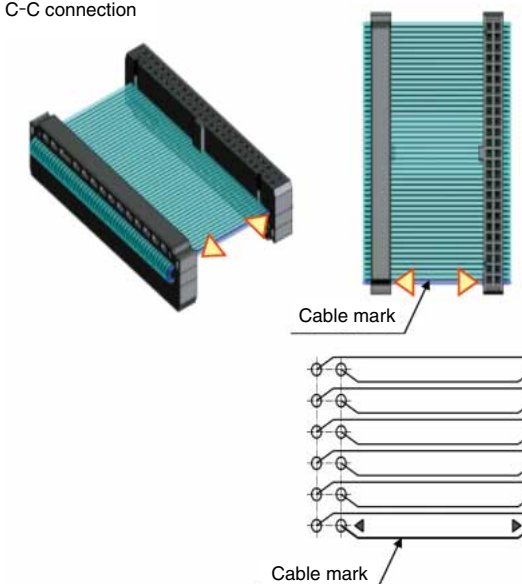
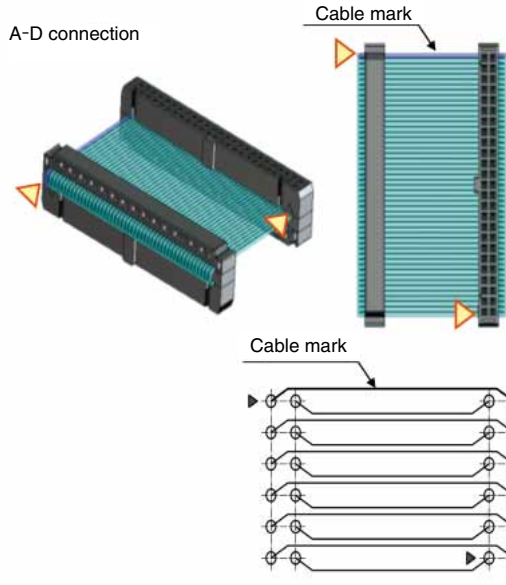
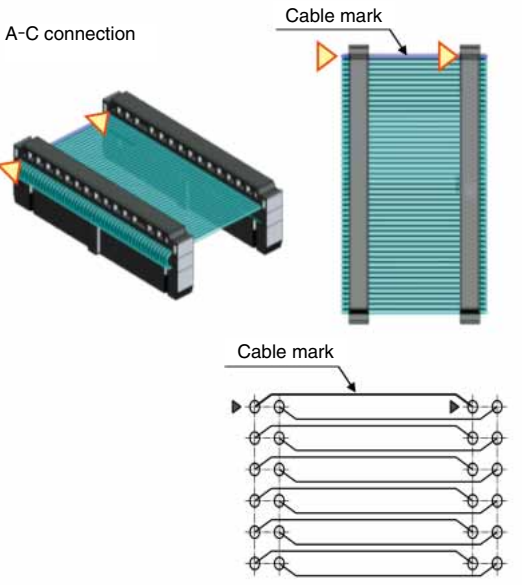
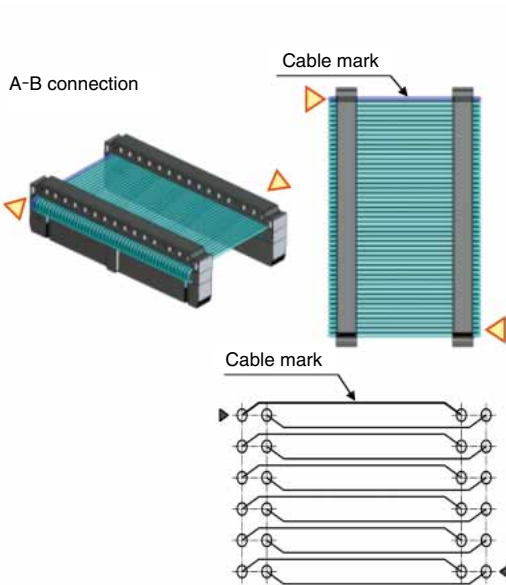
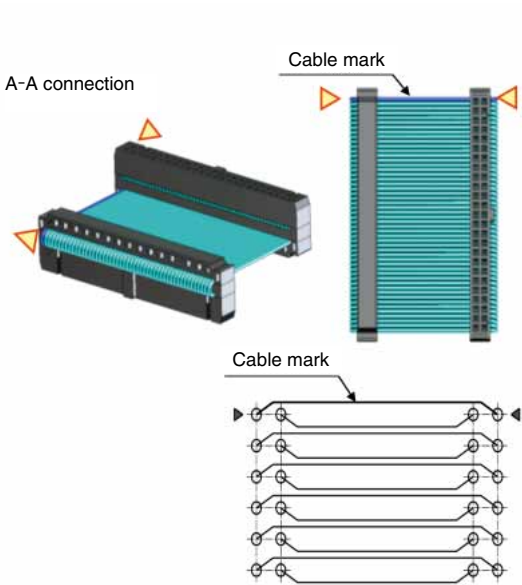


Jan. 1. 2021 Copyright 2021 HIROSE ELECTRIC CO., LTD. All Rights Reserved.

◆ HIF3M*W-**D-2.54R Connection circuit diagram

The following is the connection circuit diagram of cable-connected HIF3M*W-**D-2.54R.

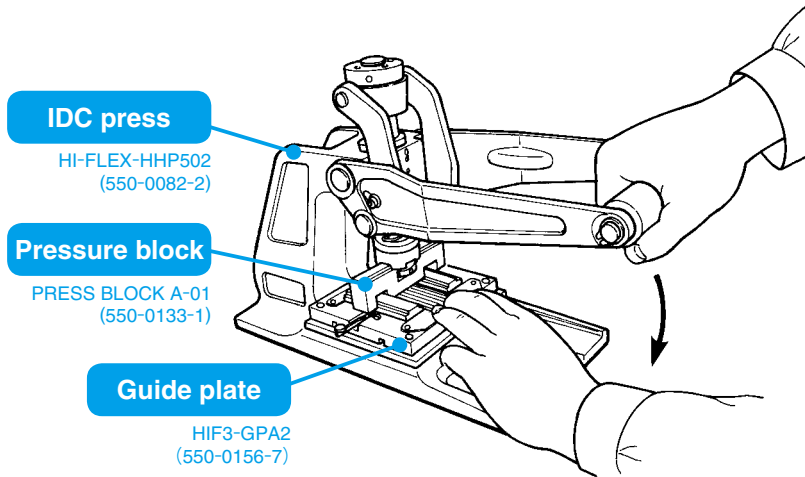
▷ ...Polarizing mark position



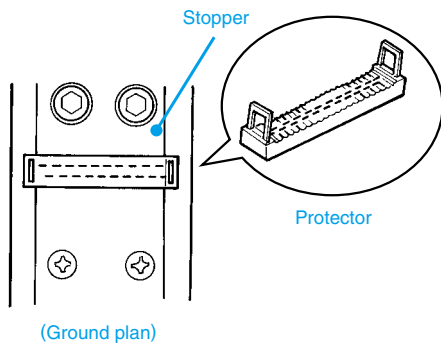
Jan. 1. 2021 Copyright 2021 HIROSE ELECTRIC CO., LTD. All Rights Reserved.

◆ How to assemble the socket side (IDC)

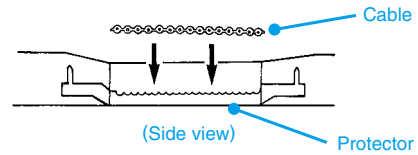
IDC press method : Dedicated tools as shown below are required for connection press of cables.



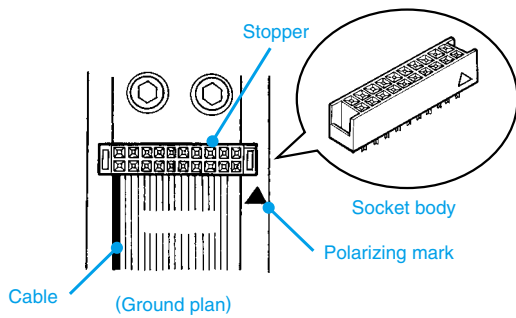
1. Place the protector on the guide plate.



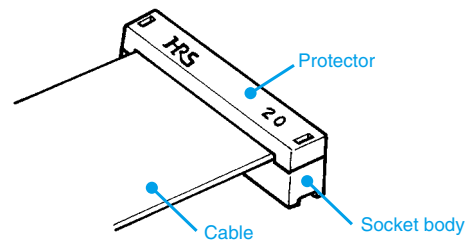
2. Place the cable on the top of the protector.



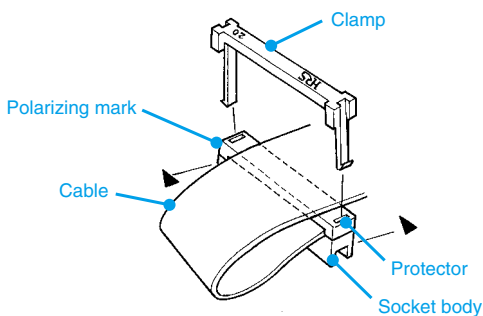
3. Place the socket body on the top of the cable.



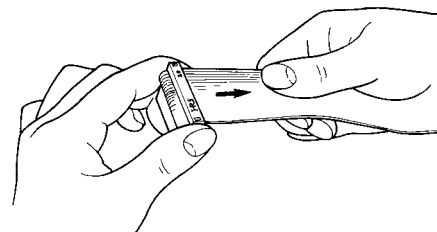
4. Depress the handle to terminate the socket body and the cable.



5. In order to enhance the connection reliability, fold back the cable and press down the clamp.



6. Pull the cable and eliminate deflection.



*For details on cable connection and applicable termination tools, see "HIF Series Ribbon Cable Connection Instruction Manual".
 *HIF3M*W Series can be assembled by using the same tools with HIF Series.

MEMO :

Area with horizontal dashed lines for writing.

USA:

HIROSE ELECTRIC (U.S.A.), INC. HEADQUARTERS CHICAGO OFFICE
 2300 Warrenville Road, Suite 150,
 Downers Grove, IL 60515
 Phone : +1-630-282-6700
<http://www.hirose.com/us/>

USA:

HIROSE ELECTRIC (U.S.A.), INC. SAN JOSE OFFICE
 2841 Junction Ave, Suite 200
 San Jose, CA. 95134
 Phone : +1-408-253-9640
 Fax : +1-408-253-9641
<http://www.hirose.com/us/>

USA:

HIROSE ELECTRIC (U.S.A.), INC. DETROIT OFFICE (AUTOMOTIVE)
 17197 N. Laurel Park Drive, Suite 253,
 Livonia, MI 48152
 Phone : +1-734-542-9963
 Fax : +1-734-542-9964
<http://www.hirose.com/us/>

USA:

HIROSE ELECTRIC (U.S.A.), INC. BOSTON OFFICE
 300 Brickstone Square Suite 201,
 Andover, MA 01810
 Phone : +1-978-662-5255

THE NETHERLANDS:

HIROSE ELECTRIC EUROPE B.V.
 Hogehillweg #8 1101 CC Amsterdam Z-0
 Phone : +31-20-6557460
 Fax : +31-20-6557469
<http://www.hirose.com/eu/>

GERMANY:

HIROSE ELECTRIC EUROPE B.V. GERMAN BRANCH
 Schoenbergstr. 20, 73760 ostfildern
 Phone : +49-711-456002-1
 Fax : +49-711-456002-299
<http://www.hirose.com/eu/>

GERMANY:

HIROSE ELECTRIC EUROPE B.V. NUREMBERG OFFICE
 Neumeyerstrasse 22-26, 90411 Nurnberg
 Phone : +49-911 32 68 89 63
 Fax : +49-911 32 68 89 69
<http://www.hirose.com/eu/>

GERMANY:

HIROSE ELECTRIC EUROPE B.V. HANOVER OFFICE
 Bayernstr. 3, Haus C 30855 Langenhagen, Germany
 Phone : +49-511 97 82 61 30
 Fax : +49-511 97 82 61 35
<http://www.hirose.com/eu/>

FRANCE:

HIROSE ELECTRIC EUROPE B.V. PARIS OFFICE
 130 Avenue Joseph Kessel, Bat E, 78960
 Voisins le Bretonneux, France
 Phone : +33-1-85764886
 Fax : +33-1-85764823
<http://www.hirose.com/eu/>

UNITED KINGDOM:

HIROSE ELECTRIC EUROPE BV (UK BRANCH)
 4 Newton Court, Kelvin Drive, Knowlhill,
 Milton Keynes, MK5 8NH
 Phone : +44-1908 202050
 Fax : +44-1908 202058
<http://www.hirose.com/eu/>

CHINA:

HIROSE ELECTRIC (CHINA) CO., LTD. (SHANGHAI, HEADQUARTERS)
 18, Enterprise Center Tower 2, 209# Gong He
 Road, Jing'an District, Shanghai, CHINA 200070
 Phone : +86-21-6391-3355
 Fax : +86-21-6391-3335
<http://www.hirose.com/cn/>

CHINA:

HIROSE ELECTRIC (CHINA) CO., LTD. BEIJING BRANCH
 A1001, Ocean International Center, Building 56# East 4th
 Ring Middle Road, ChaoYang District, Beijing, 100025
 Phone : +86-10-5165-9332
 Fax : +86-10-5908-1381
<http://www.hirose.com/cn/>

CHINA:

HIROSE ELECTRIC (CHINA) CO., LTD. SHENZHEN BRANCH
 Room 09-13, 19/F, Office Tower Shun Hing Square, Di Wang Commercial Centre,
 5002 Shen Nan Dong Road, Shenzhen City, Guangdong Province, 518008
 Phone : +86-755-8207-0851
 Fax : +86-755-8207-0873
<http://www.hirose.com/cn/>

HONG KONG:

HIROSE ELECTRIC HONGKONG TRADING CO., LTD.
 Room 1001, West Wing, Tsim Sha Tsui Centre, 66
 Mody Road, Tsim Sha Tsui East, Kowloon, Hong Kong
 Phone : +852-2803-5338
 Fax : +852-2591-6560
<http://www.hirose.com/hk/>

TAIWAN:

HIROSE ELECTRIC TAIWAN CO., LTD.
 103 8F, No.87, Zhengzhou Rd., Taipei
 Phone : +886-2-2555-7377
 Fax : +886-2-2555-7355
<http://www.hirose.com/tw/>

KOREA:

HIROSE KOREA CO., LTD.
 143, Gongdan 1-daero, Siheung-si,
 Gyeonggi-do, 15084, Korea
 Phone : +82-31-496-7000
 Fax : +82-31-496-7100
<http://www.hirose.co.kr/>

SINGAPORE:

HIROSE ELECTRIC SINGAPORE PTE. LTD.
 03, Anson Road, #20-01, Springleaf Tower,
 Singapore 079909
 Phone : +65-6324-6113
 Fax : +65-6324-6123
<http://www.hirose.com/sg/>

INDIA:

HIROSE ELECTRIC SINGAPORE PTE. LTD. DELHI LIAISON OFFICE
 Office NO.552, Regus-Green Boulevard, Level5, Tower C,
 Sec62, Plot B-9A, Block B, Noida, 201301, Uttar Pradesh, India
 Phone : +91-12-660-8018
 Fax : +91-120-4804949
<http://www.hirose.com/sg/>

INDIA:

HIROSE ELECTRIC SINGAPORE PTE. LTD. BANGALORE LIAISON OFFICE
 Unit No-403, 4th Floor, No-84, Barton Centre, Mahatma
 Gandhi (MG) Road, Bangalore 560 001, Karnataka, India
 Phone : +91-80-4120 1907
 Fax : +91-80-4120 9908
<http://www.hirose.com/sg/>

MALAYSIA:

PENANG REPRESENTATIVE OFFICE
 73-3-1, Ideal@The One, Jalan Mahsuri, Bayan
 Lepas Penang, 11950, Malaysia
 Phone : +604-648-5536
<http://www.hirose.com/sg/>

THAILAND:

BANGKOK OFFICE (REPRESENTATIVE OFFICE)
 Unit 4703, 47th FL., 1 Empire Tower, South Sathorn
 Road, Yannawa, Sathorn, Bangkok 10120 Thailand
 Phone : +66-2-686-1255
 Fax : +66-2-686-3433
<http://www.hirose.com/sg/>



HIROSE ELECTRIC CO., LTD.

2-6-3, Nakagawa Chuoh, Tsuzuki-Ku, Yokohama-Shi 224-8540, JAPAN
 TEL: +81-45-620-3526 Fax: +81-45-591-3726
<http://www.hirose.com>
<http://www.hirose-connectors.com>