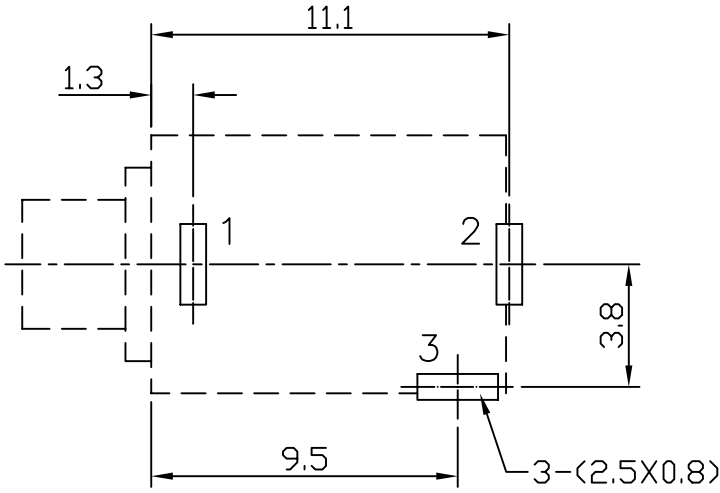
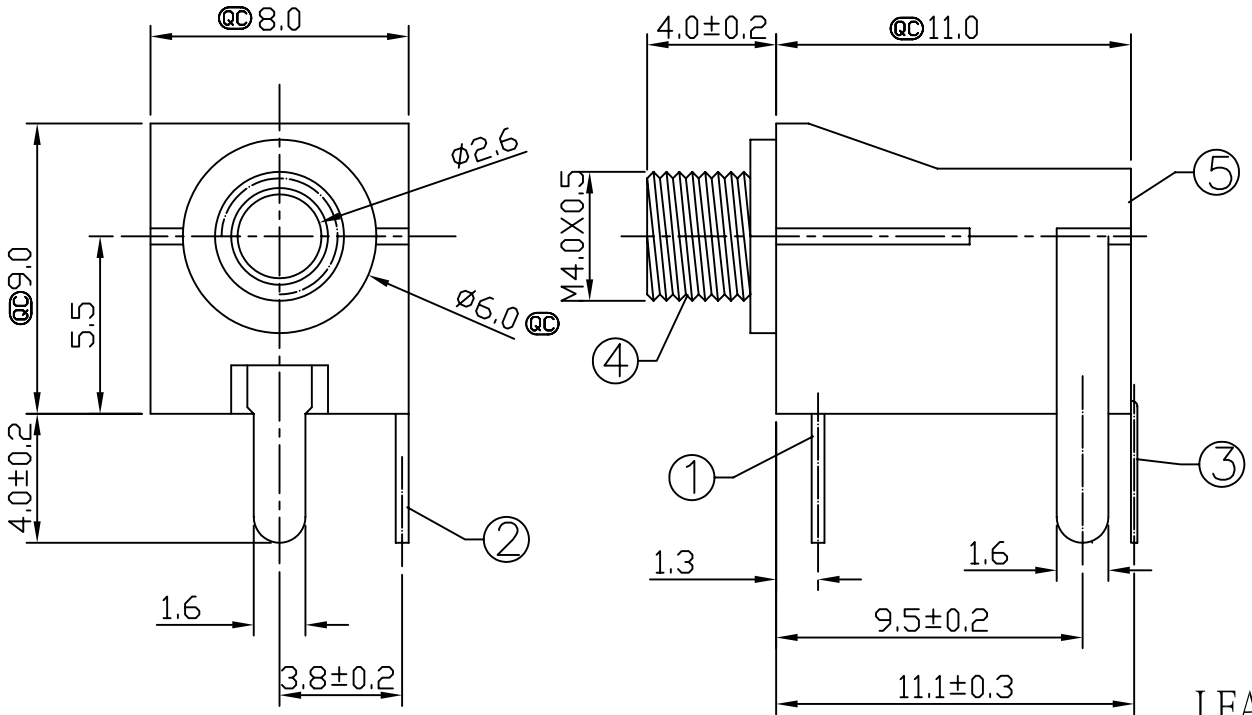
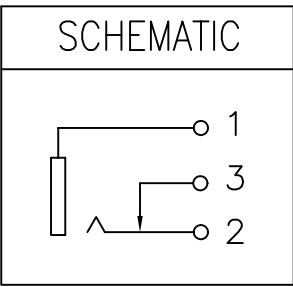


ECN NO.	REV	MODIFICATION	DATE	DRAW	APPROVE
	A1	NEW ISSUES	2009.07.02	JULY	ALAN



T:1.6 Dimensions of PC board holes
Tolerance : ± 0.1 (Printed-top view)



LEAD FREE

5	HOUSING	1	ABS	
4	AXIS SUPPORT	1	C2680	MB:Cu Ni PLATED
3	SPRING PIECE	1	ALDARY	MB:Cu Cu/Sn PLATED
2	CURVE PIECE	1	C2680	MB:Cu Cu/Sn PLATED
1	FIAT PIECE	1	C2680	MB:Cu Cu/Sn PLATED

NO.	DESCRIPTION	QTY	MATERIAL	REMARK
DIMENSION IN mm [Inch]				
TOLERANCE UNLESS OTHERWISE SPECIFIED			DWG NO. HLA-2503D11	FILE NO. HLA-2503D11
X	± 0.5	X	$\pm 3^\circ$	TITLE MINIATURE JACK CUSTOMER COPY
XX	± 0.3	XX	$\pm 2^\circ$	
XXX	± 0.25			
APPROVE JACK	CHECK ALAN	DRAW JULY	PROJ. SCALE 1:1	SHEET 1 / 1 REV A1