

# Contents

[1] Contents

[2] CPU

[3] Ethernet, Power

[4] Memories

[5] USB, ULPI, UART, CAN

[6] Debug, SD-Card, Media-IF, Jennic ZigBee Module

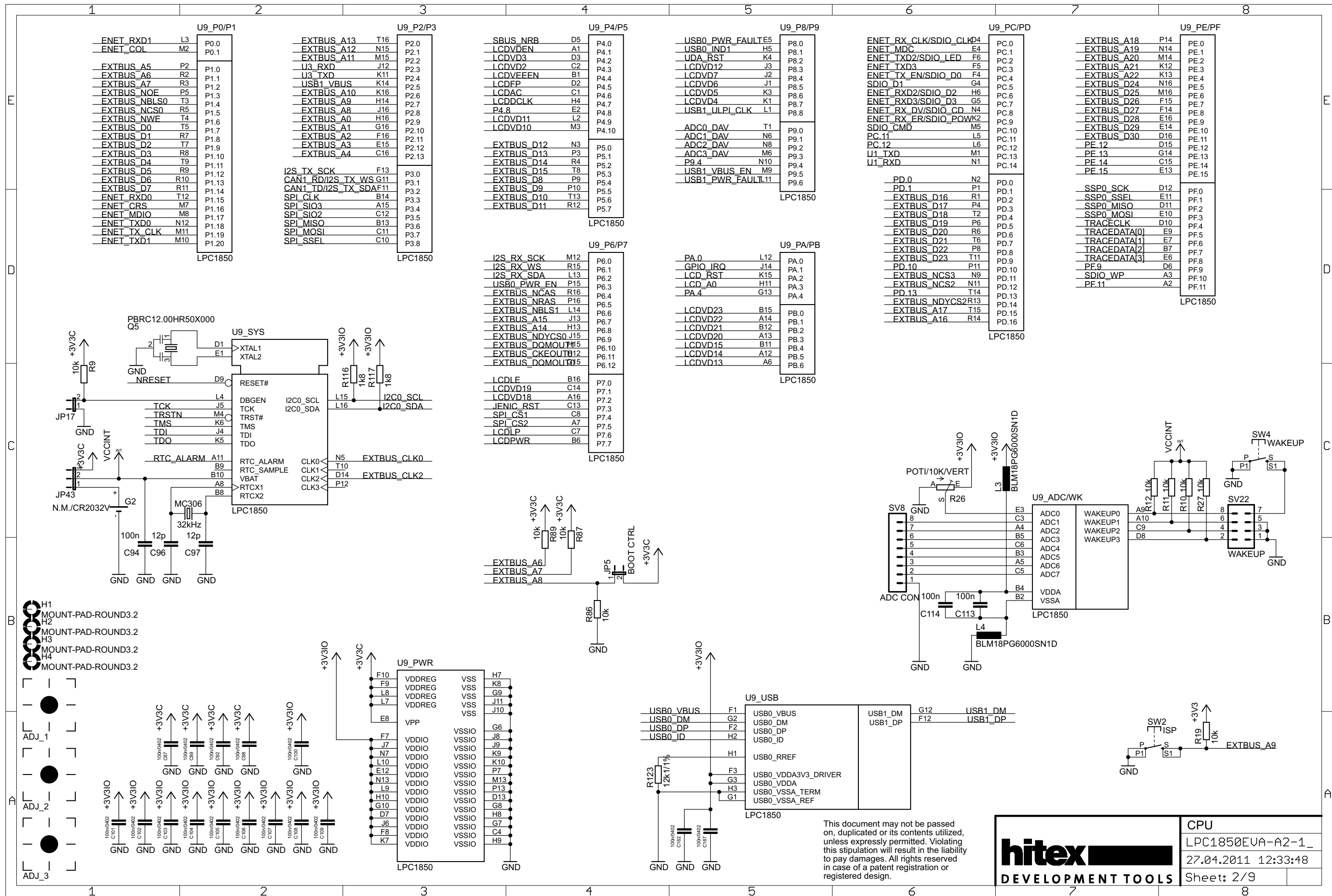
[7] LCD, LEds, Push-Buttons

[8] Audio

[9] Fast ADCs

This document may not be passed on, duplicated or its contents utilized, unless expressly permitted. Violating this stipulation will result in the liability to pay damages. All rights reserved in case of a patent registration or registered design.

<b>hitex</b> DEVELOPMENT TOOLS	CPU
	LPC1850EVA-A2-1_
	27.04.2011 12:33:48
Sheet: 1/9	



U9_P0/P1	
ENET_RXD1	L3
ENET_COL	M2
EXTBUS_A5	P2
EXTBUS_A6	R2
EXTBUS_A7	R3
EXTBUS_NOE	P5
EXTBUS_NBS0	T3
EXTBUS_NCS0	R5
EXTBUS_NWF	T4
EXTBUS_D0	T5
EXTBUS_D1	R7
EXTBUS_D2	T7
EXTBUS_D3	R8
EXTBUS_D4	T9
EXTBUS_D5	R9
EXTBUS_D6	R10
EXTBUS_D7	R11
ENET_RXD0	T12
ENET_CRS	M7
ENET_MDIO	M8
ENET_TXD0	N12
ENET_TX_CLK	M11
ENET_TXD1	M10
P0.0	P0.1
P1.0	P1.1
P1.2	P1.3
P1.4	P1.5
P1.6	P1.7
P1.8	P1.9
P1.10	P1.11
P1.12	P1.13
P1.14	P1.15
P1.16	P1.17
P1.18	P1.19
P1.20	

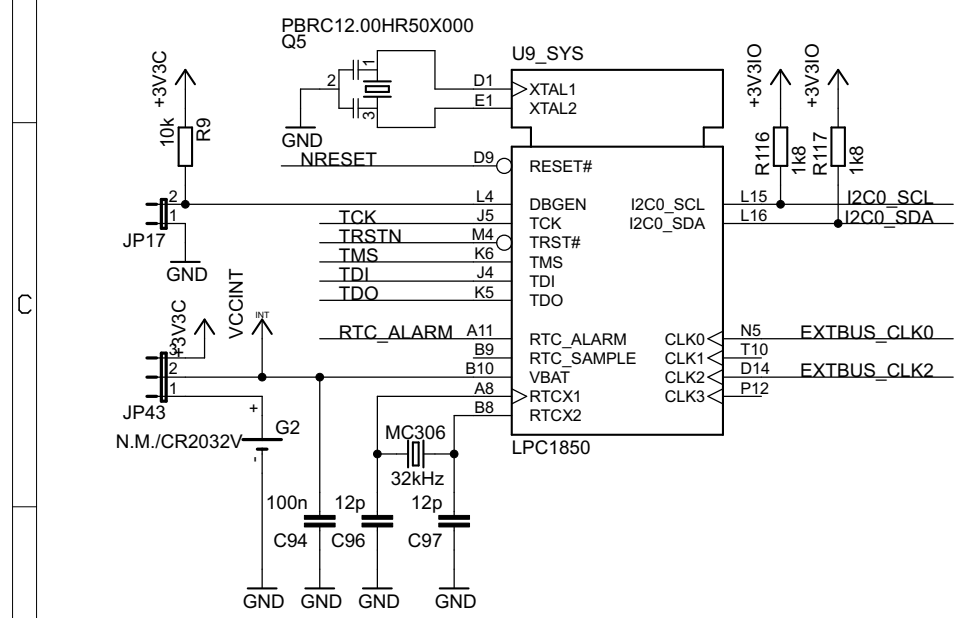
U9_P2/P3	
EXTBUS_A13	T16
EXTBUS_A12	N15
EXTBUS_A11	M15
U3_RXD	J12
U3_TXD	K11
USB1_VBUS	K14
EXTBUS_A10	K16
EXTBUS_A9	H14
EXTBUS_A8	J16
EXTBUS_A0	H16
EXTBUS_A1	G16
EXTBUS_A2	F16
EXTBUS_A3	E15
EXTBUS_A4	C16
P2.0	P2.1
P2.2	P2.3
P2.4	P2.5
P2.6	P2.7
P2.8	P2.9
P2.10	P2.11
P2.12	P2.13
P3.0	P3.1
P3.2	P3.3
P3.4	P3.5
P3.6	P3.7
P3.8	P3.8

U9_P4/P5	
SBUS_NRB	D5
LCDVDEN	A1
LCDVD3	D3
LCDVD2	C2
LCDVFEEN	B1
LCDVDF	D2
LCDAC	C1
LCDCLK	H4
P4.8	E2
LCDVD11	L2
LCDVD10	M3
P4.0	P4.1
P4.2	P4.3
P4.4	P4.5
P4.6	P4.7
P4.8	P4.9
P4.10	
P5.0	P5.1
P5.2	P5.3
P5.4	P5.5
P5.6	P5.7

U9_P8/P9	
USB0_PWR_FAULTE5	P8.0
USB0_IND1	H5
UDA_RST	K4
LCDVD12	J3
LCDVD7	J2
LCDVD6	J1
LCDVD5	K3
LCDVD4	K1
USB1_UIPI_CLK	L1
P8.1	P8.2
P8.3	P8.4
P8.5	P8.6
P8.7	P8.8
P8.8	
P9.0	P9.1
P9.2	P9.3
P9.4	P9.4
P9.5	P9.6

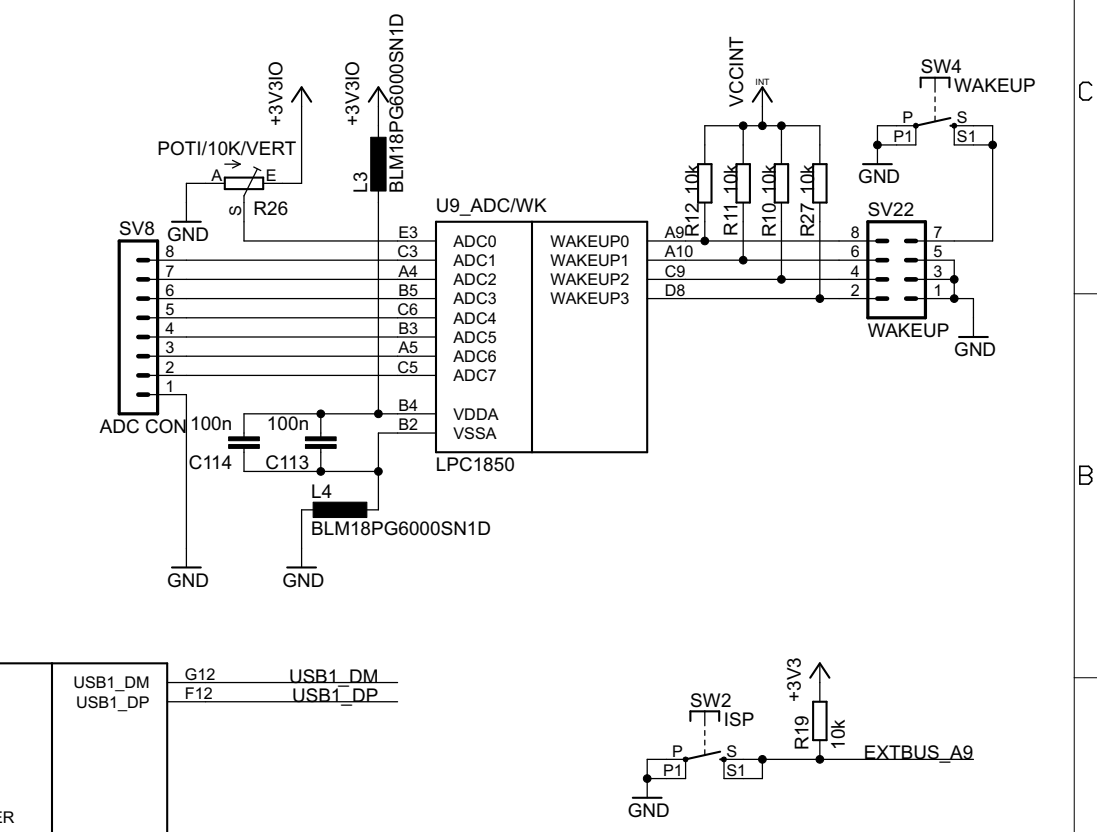
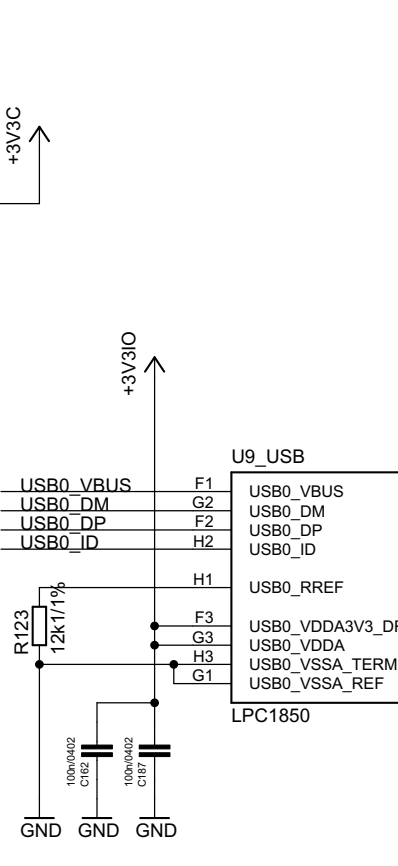
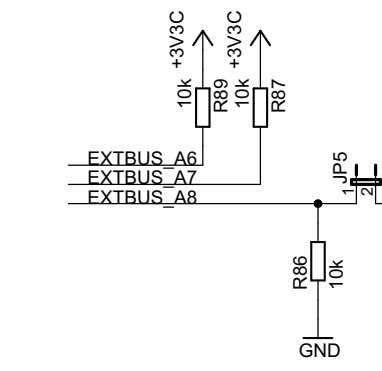
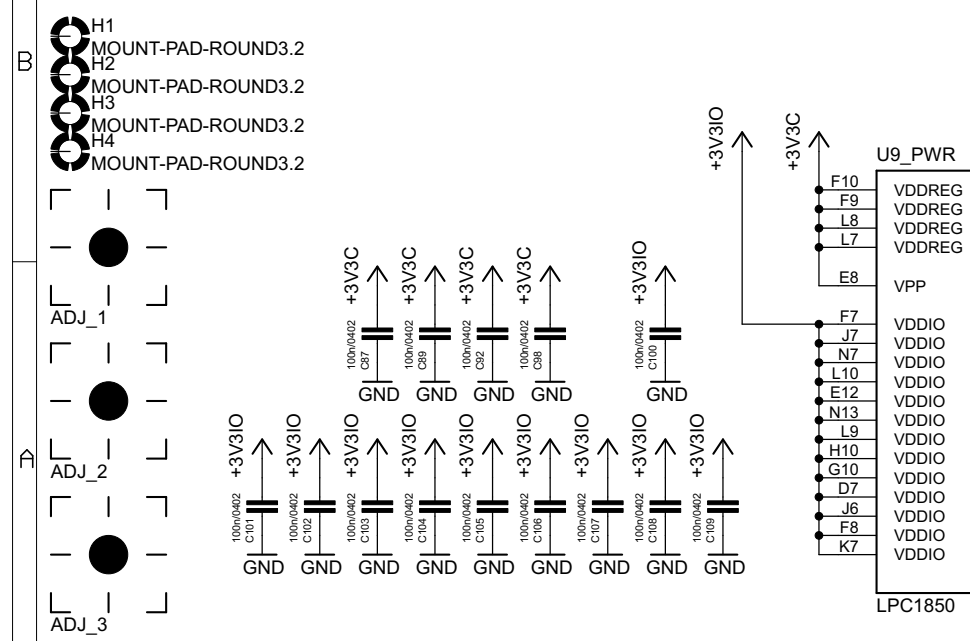
U9_PC/PD	
ENET_RX_CLK/SDIO_CLK04	PC.0
ENET_MDC	PC.1
ENET_TXD2/SDIO_LED	F6
ENET_TXD3	F5
ENET_TX_EN/SDIO_D0	F4
SDIO_D1	G4
ENET_RXD2/SDIO_D2	H6
ENET_RXD3/SDIO_D3	G5
ENET_RX_DV/SDIO_CD	N4
ENET_RX_ER/SDIO_POWK2	M5
SDIO_CMD	M5
PC.11	L5
PC.12	L6
U1_TXD	M1
U1_RXD	N1
PC.0	PC.1
PC.2	PC.3
PC.4	PC.5
PC.6	PC.7
PC.8	PC.9
PC.10	PC.11
PC.12	PC.13
PC.14	
PD.0	PD.1
PD.2	PD.3
PD.4	PD.5
PD.6	PD.7
PD.8	PD.9
PD.10	PD.11
PD.12	PD.13
PD.14	PD.15
PD.16	

U9_PE/PF	
EXTBUS_A18	P14
EXTBUS_A19	N14
EXTBUS_A20	M14
EXTBUS_A21	K12
EXTBUS_A22	K13
EXTBUS_D24	N16
EXTBUS_D25	M16
EXTBUS_D26	F15
EXTBUS_D27	F14
EXTBUS_D28	E16
EXTBUS_D29	E14
EXTBUS_D30	D16
PE.12	D15
PE.13	G14
PE.14	C15
PE.15	E13
PF.0	PF.1
PF.2	PF.3
PF.4	PF.5
PF.6	PF.7
PF.8	PF.9
PF.10	PF.11



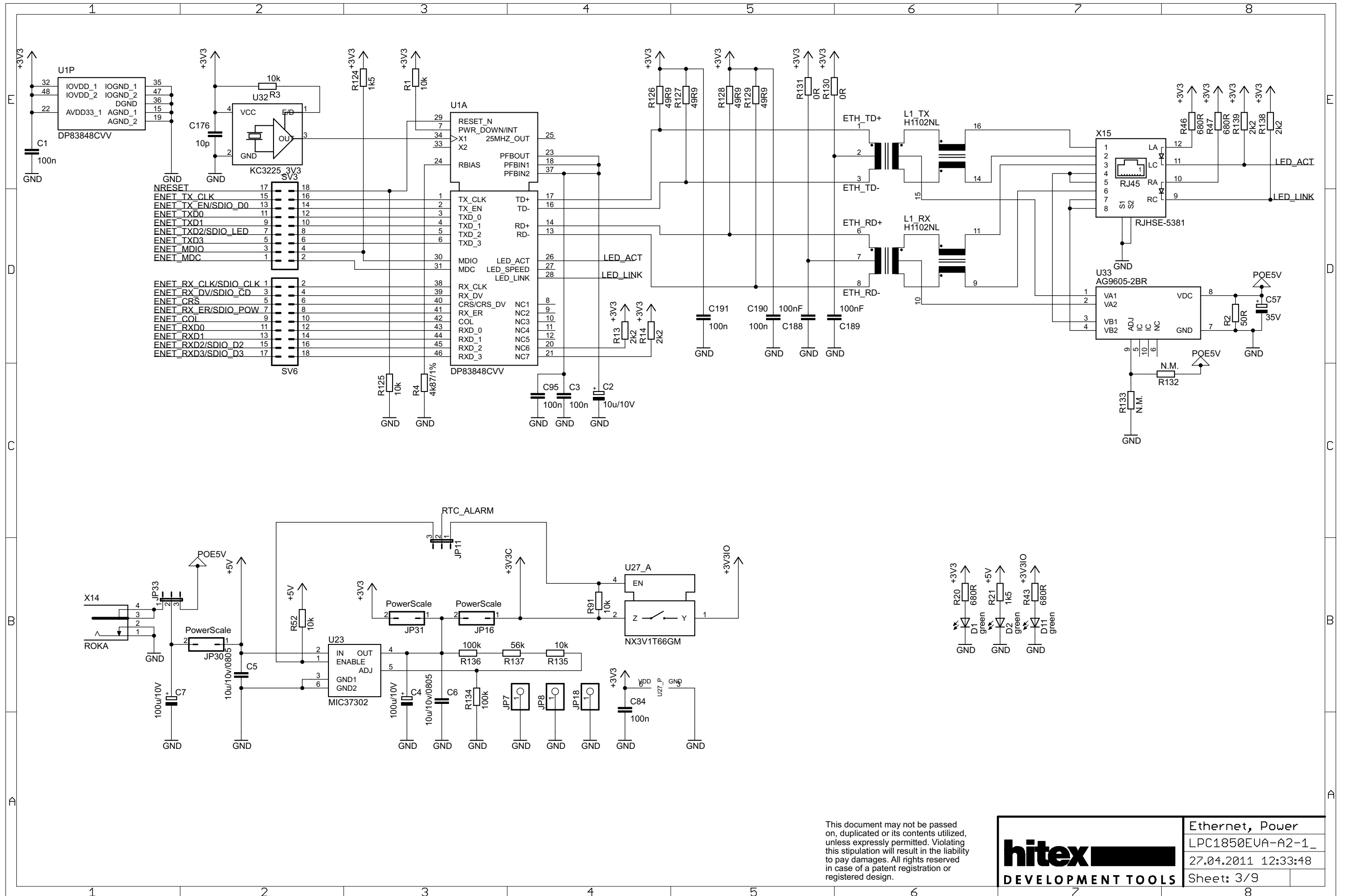
U9_P6/P7	
I2S_RX_SCK	M12
I2S_RX_WS	R15
I2S_RX_SDA	L13
USB0_PWR_EN	P15
EXTBUS_NCAS	R16
EXTBUS_NRAS	P16
EXTBUS_NBS1	L14
EXTBUS_A15	J13
EXTBUS_A14	H13
EXTBUS_NDYCS0	J15
EXTBUS_DQMOUT1	M15
EXTBUS_DQMOUT2	M12
EXTBUS_DQMOUT3	M15
P6.0	P6.1
P6.2	P6.3
P6.4	P6.5
P6.6	P6.7
P6.8	P6.9
P6.10	P6.11
P6.12	
P7.0	P7.1
P7.2	P7.3
P7.4	P7.5
P7.6	P7.7

U9_PA/PB	
PA.0	L12
GPIO_IRO	J14
LCD_RST	K15
LCD_A0	H11
PA.4	G13
PA.0	PA.1
PA.2	PA.3
PA.4	
PB.0	PB.1
PB.2	PB.3
PB.4	PB.5
PB.6	

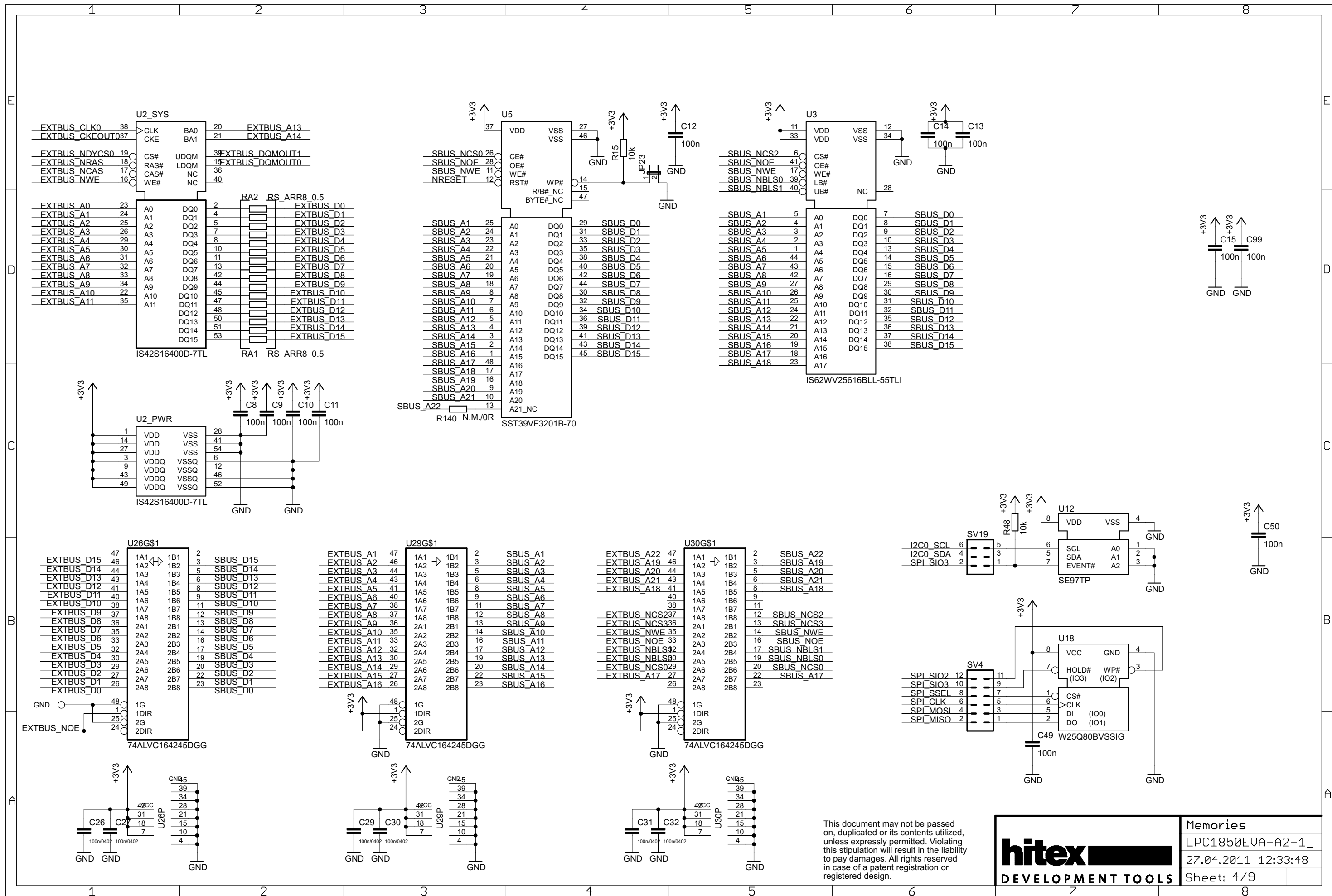


This document may not be passed on, duplicated or its contents utilized, unless expressly permitted. Violating this stipulation will result in the liability to pay damages. All rights reserved in case of a patent registration or registered design.

 <b>DEVELOPMENT TOOLS</b>	CPU
	LPC1850EVA-A2-1_
	27.04.2011 12:33:48
Sheet: 2/9	

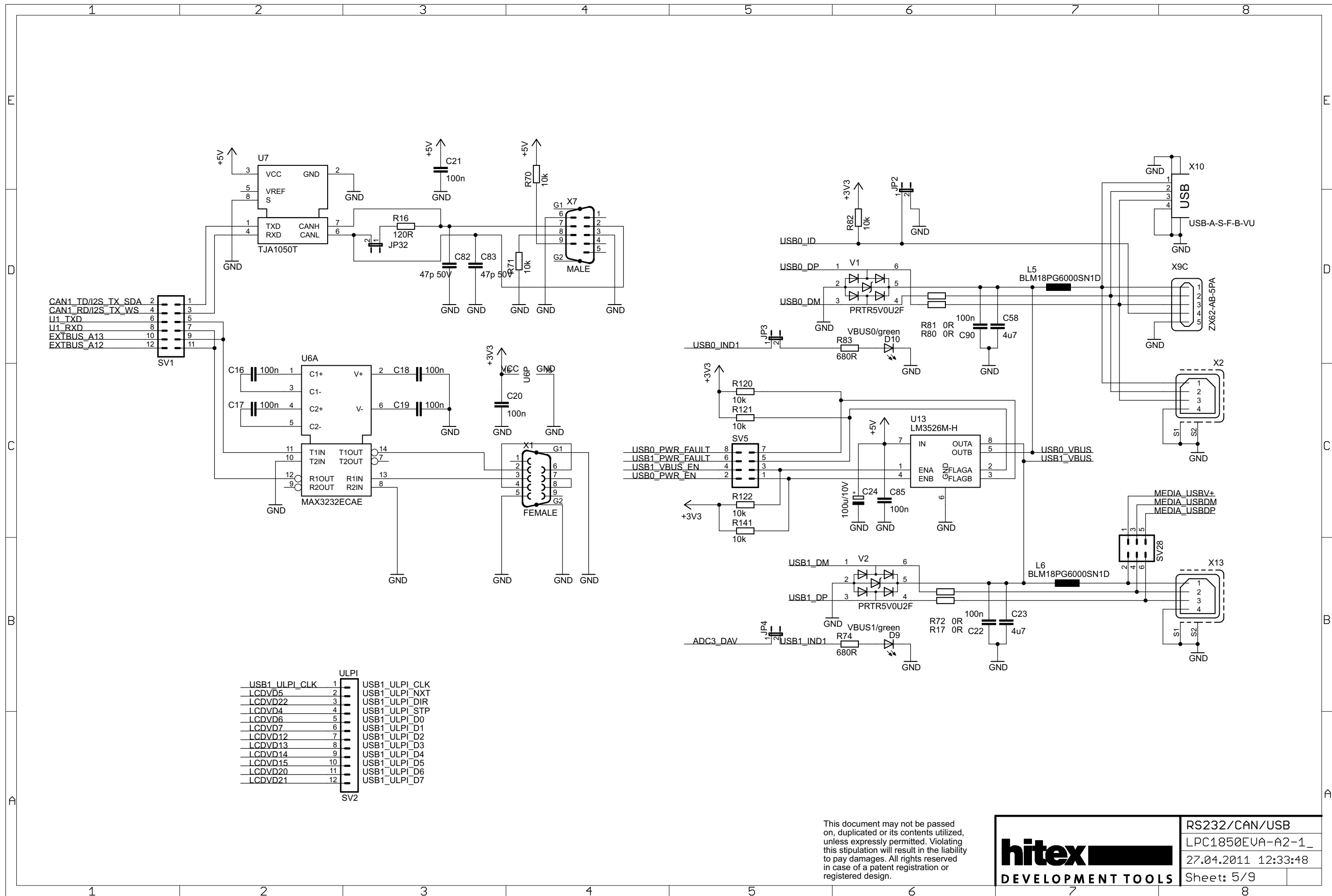


This document may not be passed on, duplicated or its contents utilized, unless expressly permitted. Violating this stipulation will result in the liability to pay damages. All rights reserved in case of a patent registration or registered design.

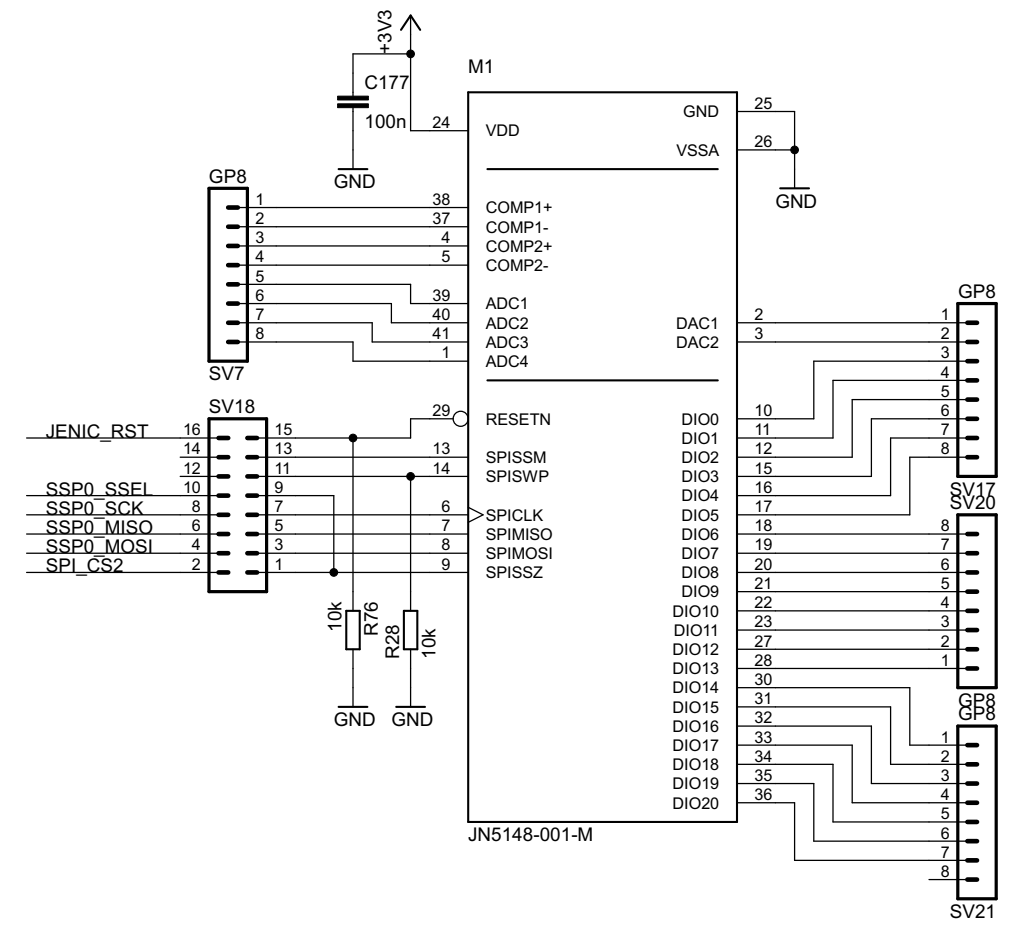
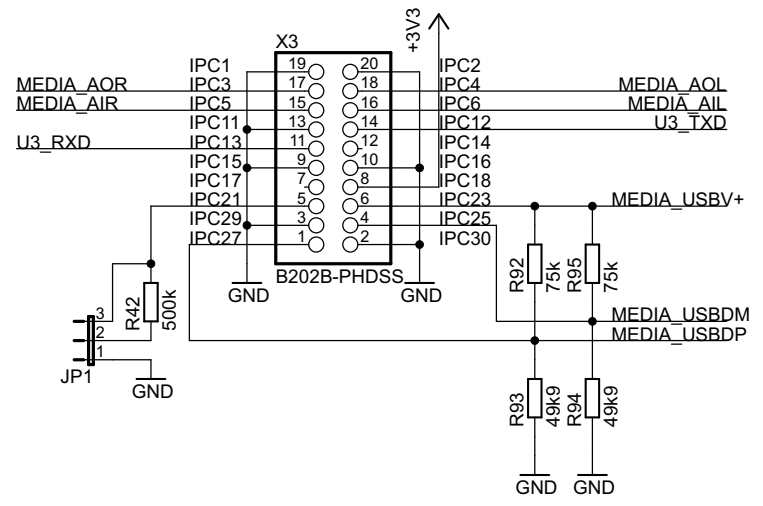
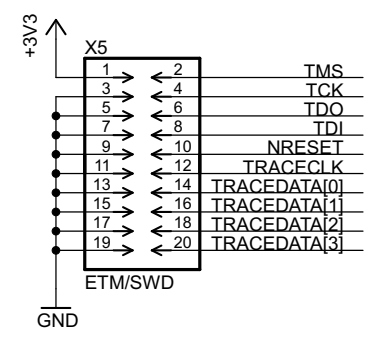
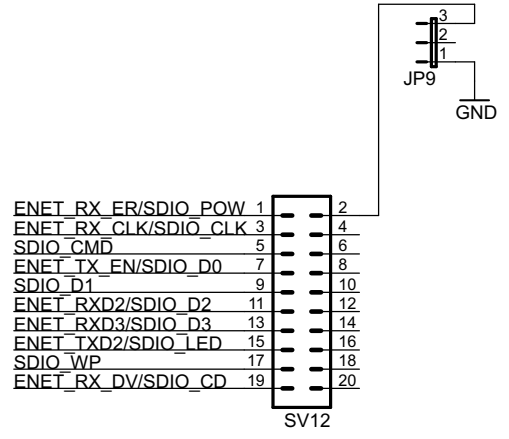
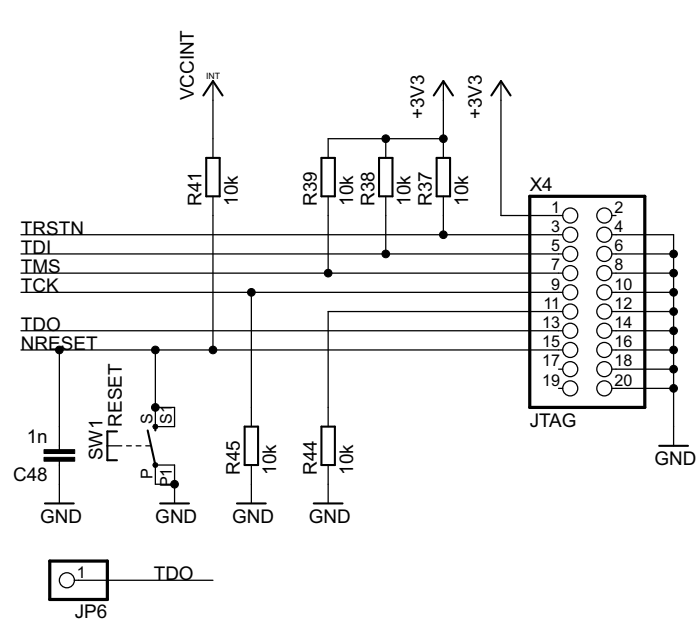


This document may not be passed on, duplicated or its contents utilized, unless expressly permitted. Violating this stipulation will result in the liability to pay damages. All rights reserved in case of a patent registration or registered design.

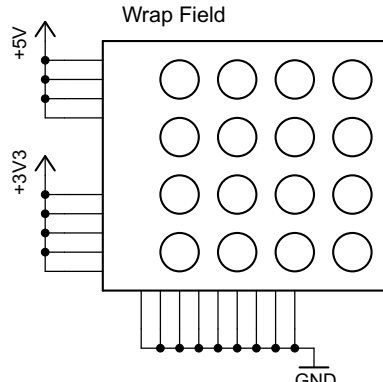
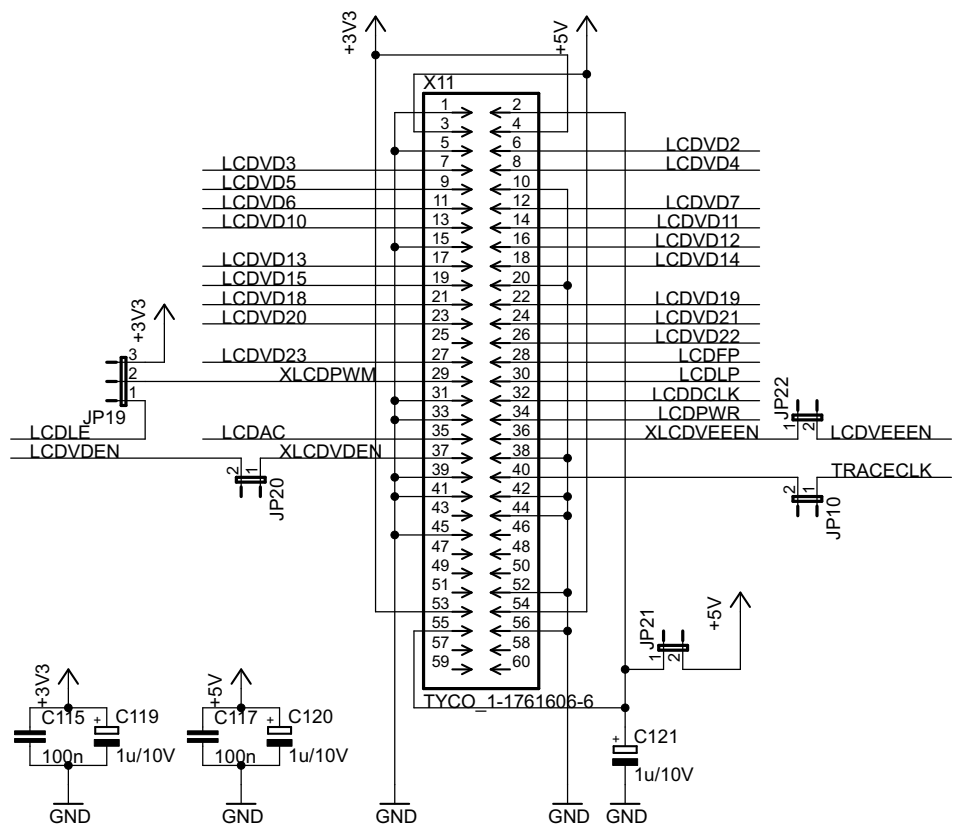
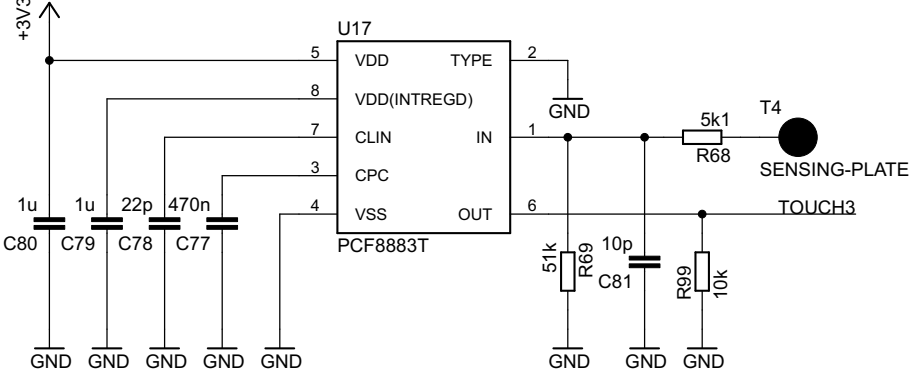
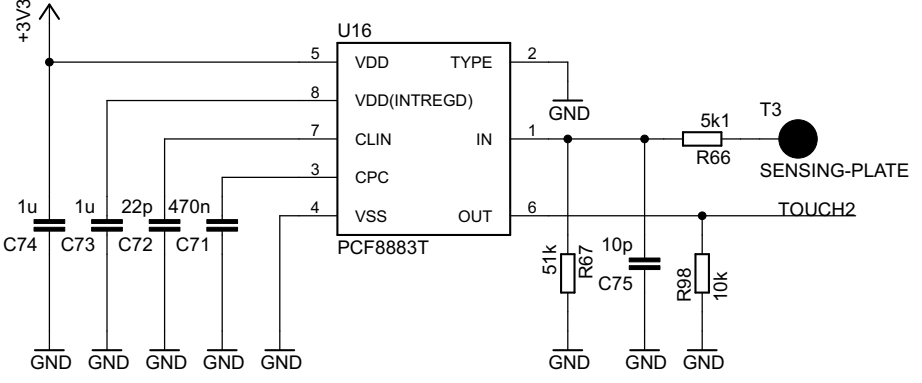
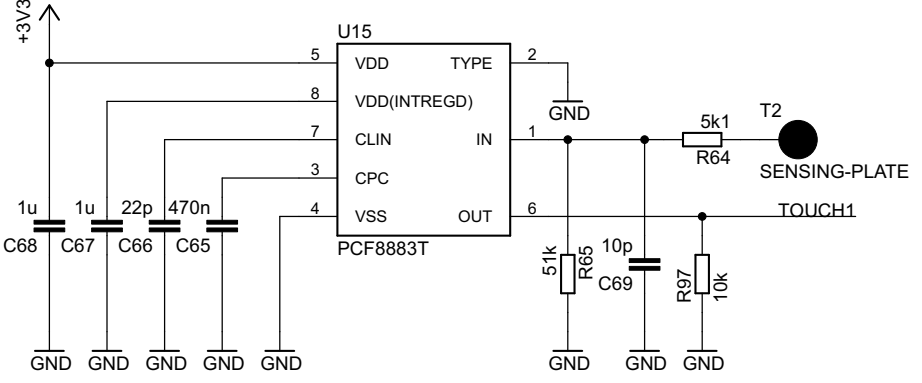
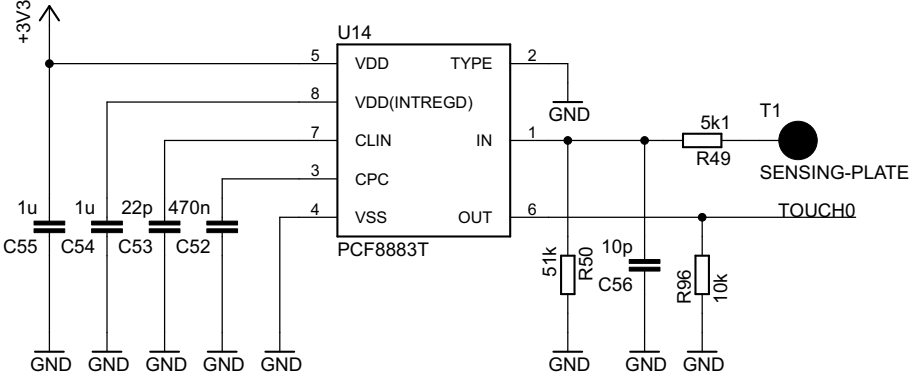
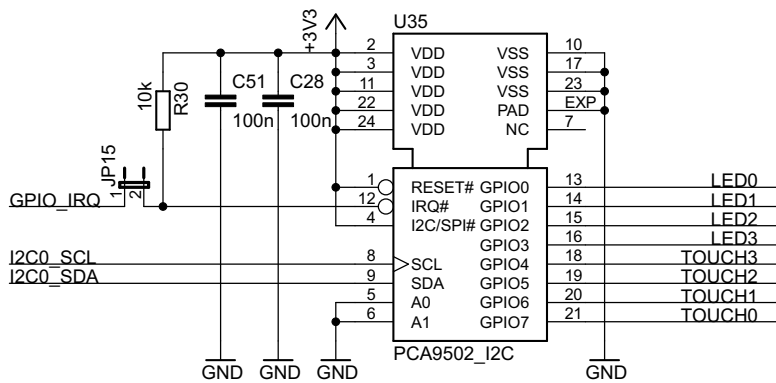
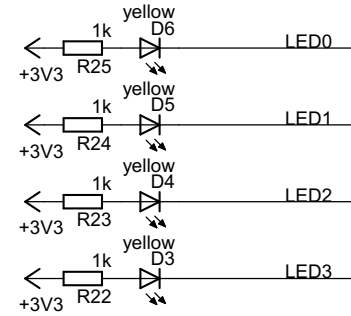
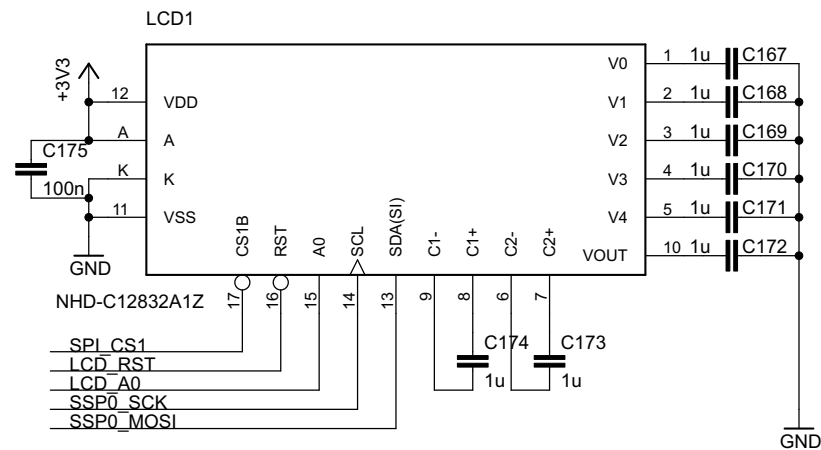
 <b>DEVELOPMENT TOOLS</b>	Memories
	LPC1850EVA-A2-1_
	27.04.2011 12:33:48
Sheet: 4/9	



This document may not be passed on, duplicated or its contents utilized, unless expressly permitted. Violating this stipulation will result in the liability to pay damages. All rights reserved in case of a patent registration or registered design.



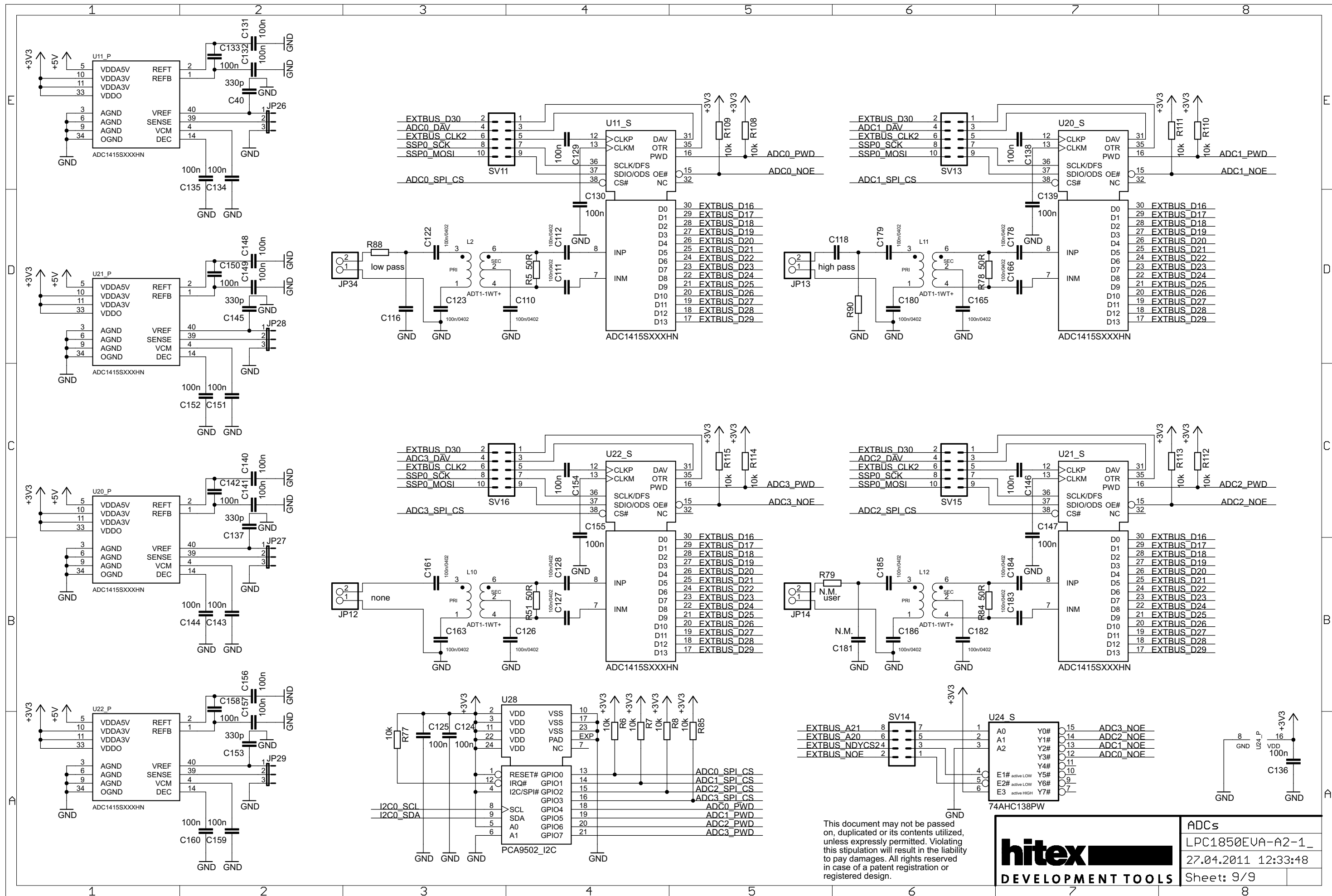
This document may not be passed on, duplicated or its contents utilized, unless expressly permitted. Violating this stipulation will result in the liability to pay damages. All rights reserved in case of a patent registration or registered design.



This document may not be passed on, duplicated or its contents utilized, unless expressly permitted. Violating this stipulation will result in the liability to pay damages. All rights reserved in case of a patent registration or registered design.







This document may not be passed on, duplicated or its contents utilized, unless expressly permitted. Violating this stipulation will result in the liability to pay damages. All rights reserved in case of a patent registration or registered design.

 <b>DEVELOPMENT TOOLS</b>	ADCs
	LPC1850EVA-A2-1_
	27.04.2011 12:33:48
Sheet: 9/9	