

**HIGH POWER TYPE METAL CLAD WIRE-WOUND RESISTORS**

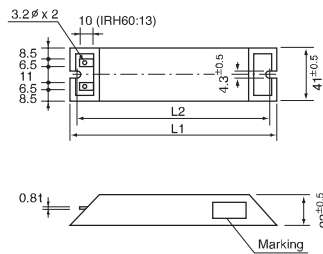
**IRH, IRV**

**Shape & Dimensions (mm)**

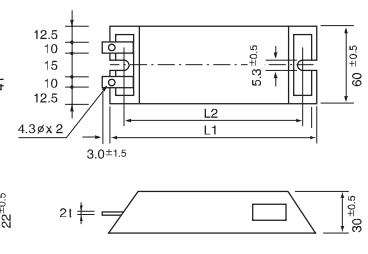


The real is marked with laser.(picture: ink print)

**A IRH60~IRH150**



**AA IRH200~IRH500**

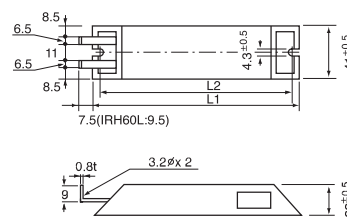


Type	Shape	Wattage Rating* (W)	Resistance Range (Ω)		Resistance Tolerance (%)	Weight (g)
			Inductive	Non-Inductive		
IRH60 IRH60L IRH60W IRV60L IRV60W	A B C E F	60	0.1~400	0.1~180	±2(G) ±5(J) ±10(K)	115
IRH80 IRH80L IRH80W IRV80L IRV80W	A B C E F	80	0.1~910	0.1~110		200
IRH100 IRH100L IRH100W IRV100L IRV100W	A B C E F	100	0.1~1.1K	0.1~240		220
IRH120 IRH120L IRH120W IRV120L IRV120W	A B C E F	120	0.1~1.3K	0.1~300		250
IRH150 IRH150L IRH150W IRV150L IRV150W	A B C E F	150	0.1~1.6K	0.1~390		290
IRH200 IRH200L IRH200W IRV200 IRV200L IRV200W	AA BB CC DD EE FF	200	0.1~2.2K	0.1~1K		490
IRH300 IRH300L IRH300W IRV300 IRV300L IRV300W	AA BB CC DD EE FF	300	0.1~2.7K	0.1~1.5K		600
IRH400 IRH400L IRH400W IRV400 IRV400L IRV400W	AA BB CC DD EE FF	400	0.1~4.3K	0.1~2.2K		800
IRH500 IRH500L IRH500W IRV500 IRV500L IRV500W	AA BB CC DD EE FF	500	0.1~6.8K	0.1~3K		990

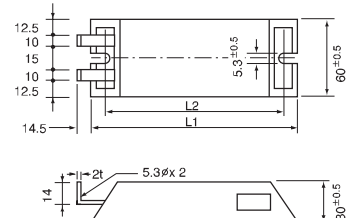
Operating Temp.  
 -55°C  
 ∩  
 +200°C

\*Chassis Mounted

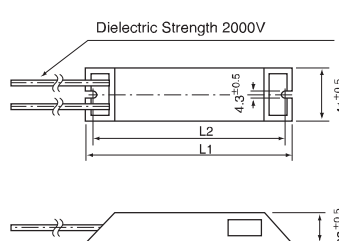
**B IRH60L~IRH150L**



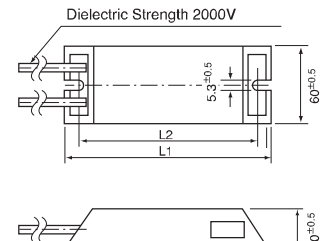
**BB IRH200L~IRH500L**



**C IRH60W~IRH150W**



**CC IRH200W~IRH500W**



Type	Dimensions (mm)		Lead Wire / Dielectric Strength 2000V (IRH/V 60W~500W)				
	L1±2	L2±2	1.25mm <sup>2</sup> 2.9 φ	2mm <sup>2</sup> 3.33 φ	5.5mm <sup>2</sup> 6.3 φ	8mm <sup>2</sup> 6.9 φ	Length (mm)
IRH/V60	100	87	1 Ω ~	0.1 Ω ~	—	—	300
IRH/V80	150	137	1 Ω ~	0.1 Ω ~	—	—	300
IRH/V100	165	152	1 Ω ~	0.1 Ω ~	—	—	300
IRH/V120	182	169	1 Ω ~	0.1 Ω ~	—	—	300
IRH/V150	210	197	1 Ω ~	0.1 Ω ~	—	—	300
IRH/V200	165	146	—	5 Ω ~	1 Ω ~	0.1 Ω ~	200
IRH/V300	215	196	—	5 Ω ~	1 Ω ~	0.1 Ω ~	200
IRH/V400	265	246	—	5 Ω ~	1 Ω ~	0.1 Ω ~	200
IRH/V500	335	316	—	5 Ω ~	1 Ω ~	0.1 Ω ~	200



**PCN Corporation**

**Sagamihara Business Office**

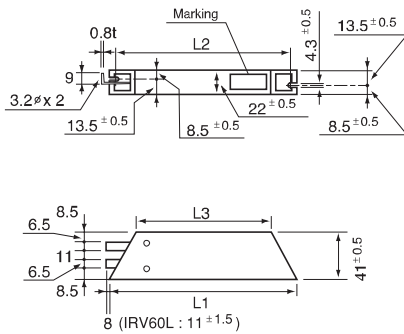
4-3-17 Sagamihara, Chuo-ku, Sagamihara-shi, Kanagawa-Pref., JAPAN 252-0231  
 Phone : 81-42-776-0931 Fax : 81-42-776-0940 E-mail : sales@pcn.co.jp

**HIGH POWER TYPE METAL CLAD WIRE-WOUND RESISTORS**

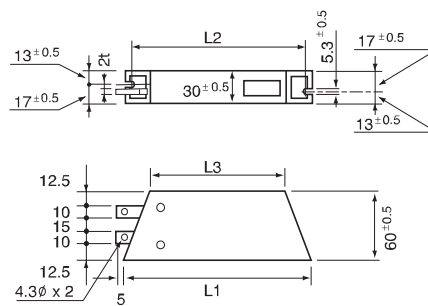
**IRH, IRV**

**Shape & Dimensions (mm)**

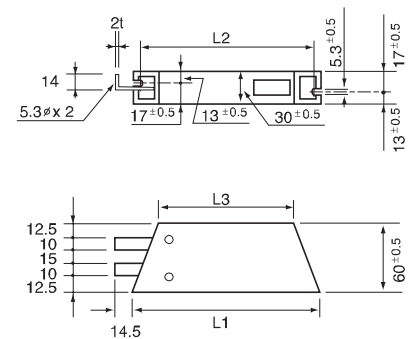
**E IRV60L ~ IRV150L**



**DD IRV200 ~ IRV500**

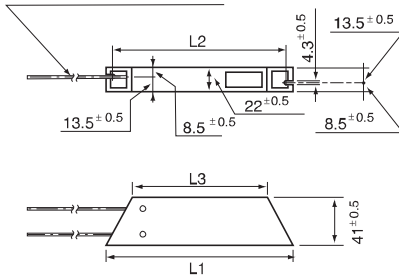


**EE IRV200L ~ IRV500L**



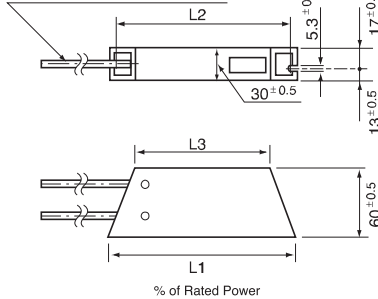
**F IRV60W ~ IRV150W**

**Dielectric Strength 2000V**



**FF IRV200W ~ IRV500W**

**Dielectric Strength 2000V**

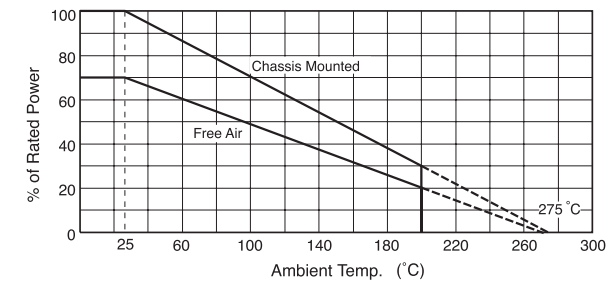


Type	Dimensions (mm)		
	L1 ± 2	L2 ± 2	L3 ± 2
IRV 60	100	87	60
IRV 80	150	137	110
IRV 100	165	152	125
IRV 120	182	169	142
IRV 150	210	197	170
IRV 200	165	146	125
IRV 300	215	196	175
IRV 400	265	246	225
IRV 500	335	316	295

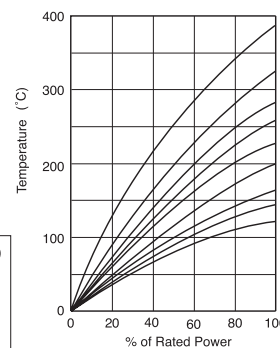
**Performance**

Parameters	Test Condition	Specification
Dielectric Strength	AC1500V* 1min.	±(0.5% + 0.05Ω)
Insulation Resistance	Under the same test condition of Dielectric Strength, Load DC500V and measure the Insulation R.	20MΩ MIN
Short Time Over Load	5×Wattage Rating 5sec (IRH60/IRV60 5×Wattage Rating 5sec)	±(2% + 0.05Ω)
Thermal Shock	Wattage Rating 30min, -25°C 15min	±(2% + 0.05Ω)
Moisture Resistance	Temp. 40°C Moisture 95% 1/10×Wattage Rating (1.5Hr ON 0.5Hr OFF) Repeat 500Hr	±(3% + 0.05Ω) 5MΩ MIN
Temp. Coefficient	Standard Temp. +20°C, Test Temp. 0°C 120°C 200°C	±260ppm/°C
Load Life	Load Rating(Chassis mounted)1.5Hr ON 0.5Hr OFF Repeat 500Hr	±(5% + 0.05)
Vibration	10Hz ~ 55Hz ~ 10Hz(1min) 2Hr each of paralleled and right angle	±(2% + 0.05)

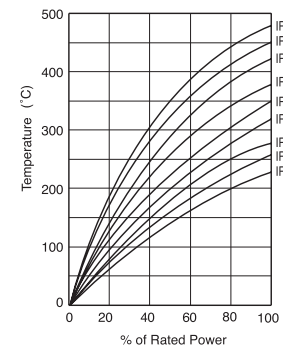
**Ambient Temp. Derating Curve**



**Surface Temp. Versus Power Load (on Chassis)**



**Surface Temp. Versus Power Load (Free air)**



**How to order**

**IRV120L**    **N**    **2Ω**    **J**  
 Type            Resistance    Tolerance

Standard Resistance E-24 Series  
 J(±5%)

In case of Non-Inductive type, use the N

Test Chassis Dimensions (mm)  
 IRH(V) 60~150  
 Aℓ 305×305×3t  
 IRH(V) 200~500  
 Aℓ 604×604×3t

If required, Dielectric Withstanding Voltage:  
 AC3500V, AC4500V & AC5400V are available.



**PCN Corporation**

**Sagamihara Business Office**

4-3-17 Sagamihara, Chuo-ku, Sagamihara-shi, Kanagawa-Pref., JAPAN 252-0231

Phone : 81-42-776-0931 Fax : 81-42-776-0940 E-mail : sales@pcn.co.jp