

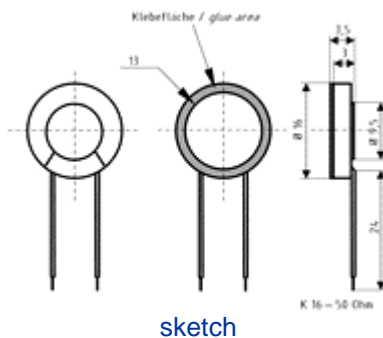
K 16 50 OHM

Art. No. 2816

1.6 cm (0.63") miniature loudspeaker with very small dimensions and a front-sided area of glue. The connection can be done via already stripped cables.

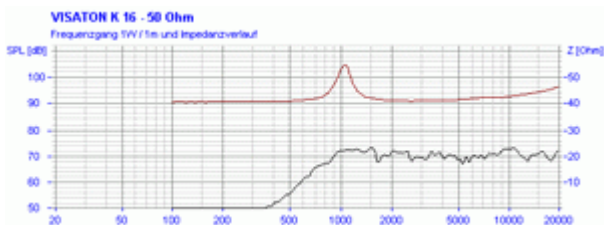
Typical applications:

- Applications in very small devices
- Model construction
- Signal output



Technical Data:

Rated power	0,5 W
Maximum power	1 W
Nominal impedance Z	50 Ohm
Frequency response	700–20000 Hz
Mean sound pressure level	71 dB (1 W/1 m)
Resonance frequency fs	1005 Hz
Voice coil diameter	8 mm
Cutout diameter	13 mm
Net weight	0,002 kg
Length of cable	24 mm



frequency and impedance response