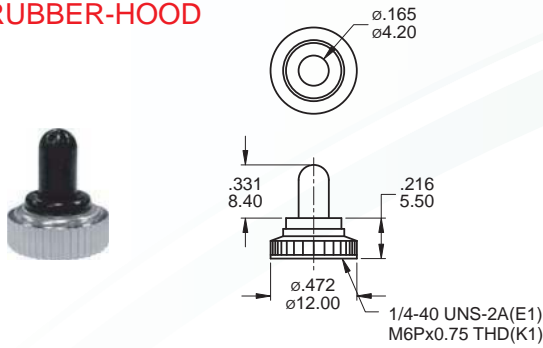


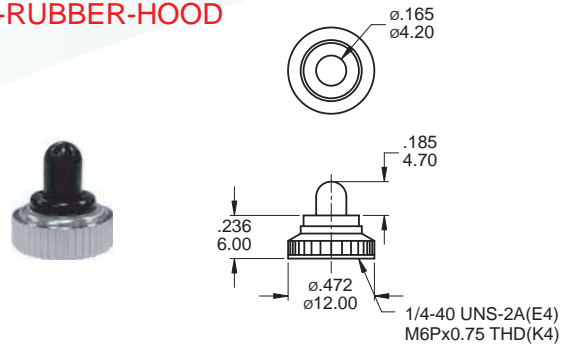
HARDWARE

RUBBER - HOOD

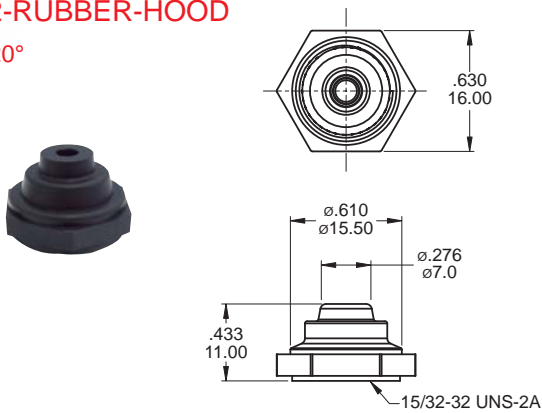
E1-RUBBER-HOOD
K1-RUBBER-HOOD



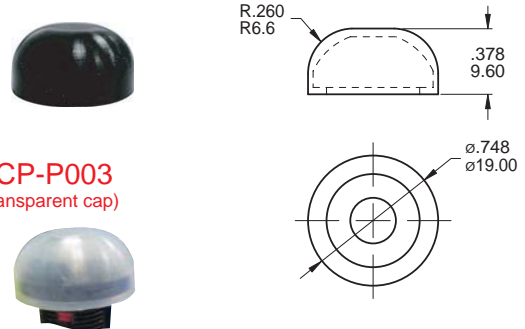
E4-RUBBER-HOOD
K4-RUBBER-HOOD



PF2-RUBBER-HOOD
***Si-20°**



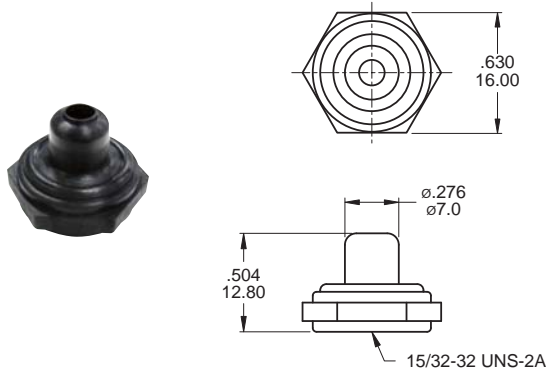
MCP-P003-2
(Black cap)



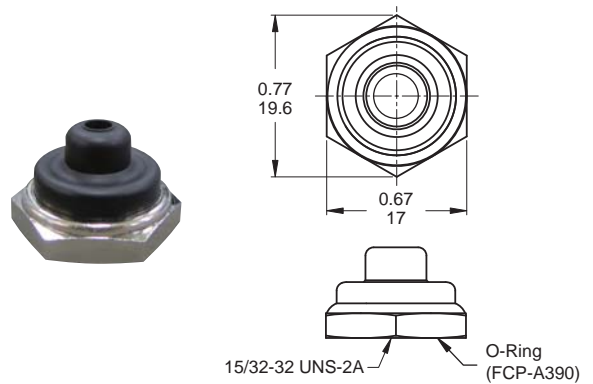
MCP-P003
(Transparent cap)

* Supplied with PA series

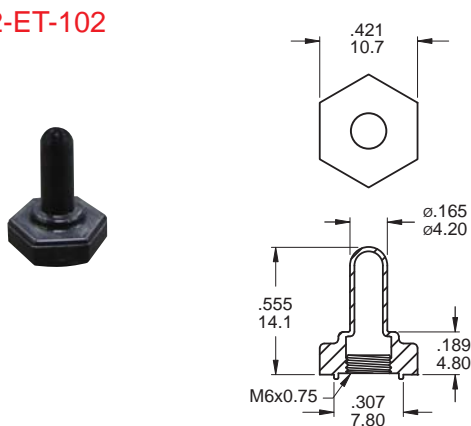
PG1-RUBBER-HOOD



PG2A-RUBBER-HOOD



PU2-ET-102



PU2-WB-A7A

