

SPECIFICATIONS

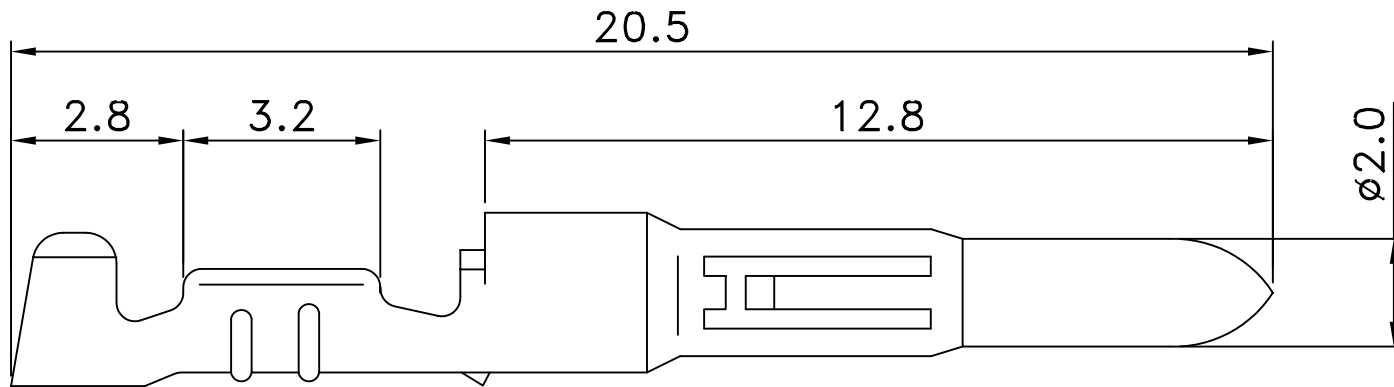
Voltage rating:300V AC,DC

Current rating:12A AC,DC

Withstanding voltage:1500V AC/minute

Insulation resistance:1000M OHM min

Temperature range:-25°C~+90°C

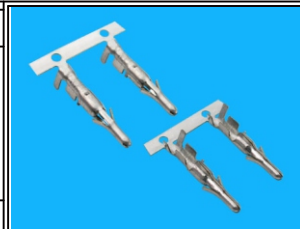


Part NO	WIRE RANGE	O.D.OF WIRE INSULATION	MATERIAL	PLATING	QUANTITY PER REEL
	AWG				
L-M-14	20-14	1.9-3.4	PHOSPHOR BRONZE	TIN-PLATED	3500
L-M-20	24-20	1.5-2.7	PHOSPHOR BRONZE	TIN-PLATED	5000

RoHS Compliant

TOLERANCES ARE

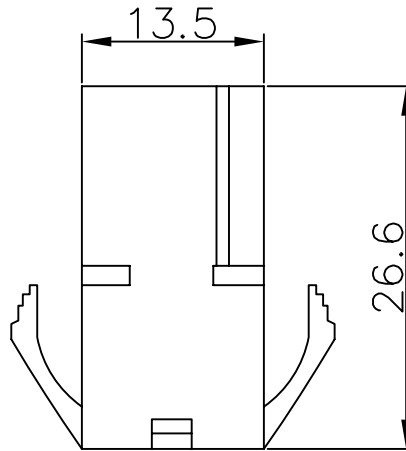
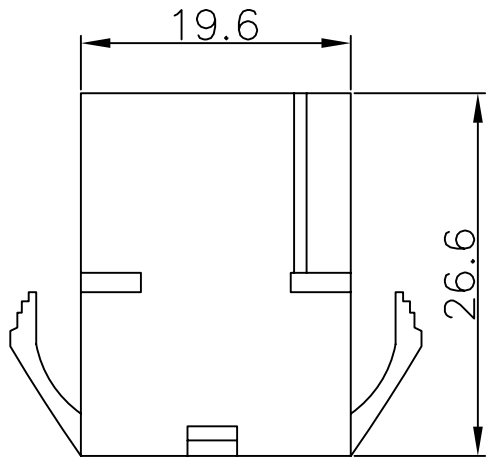
DRAWING BY CY		X, ±
CHECKED BY GENIUS		.X ±
UNIT / mm	SCALE 1 : 1	.XX ±
DATE		.XXX ±
SIZE A4	P PROJECTION	ANG ±



ORDER INFORMATION

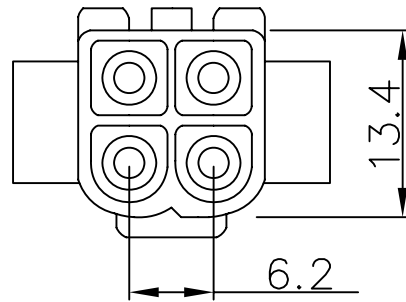
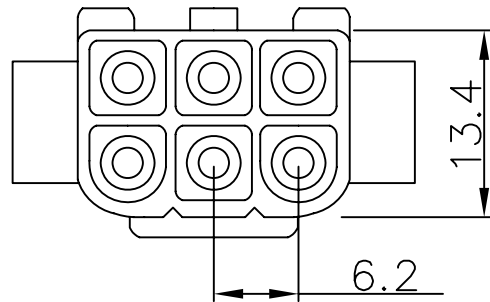
L-M-xx-LF
 SERIES | T | LEADFREE
 14:14~20WAY
 20:20~24WAY
 MALE TERMINAL

DESCRIPTION:



SPECIFICATIONS

Circuit:1,2,3,4,6,9,12,15
 Voltage rating:300V AC,DC
 Current rating:12A AC,DC
 Withstanding voltage:1500V AC/minute
 Insulation resistance:1000M \square HM min
 Temperature range:-25 C~+90 C
 Material:UL94V-2 nylon 66



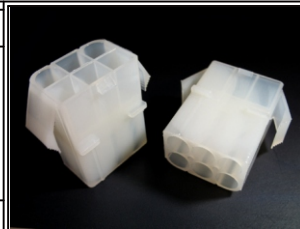
L-PE-2X03

L-PE-2X02

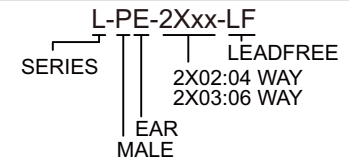
RoHS Compliant

TOLERANCES ARE

DRAWING BY CY		X.±
CHECKED BY GENIUS		.X±
UNIT / mm	SCALE 1 : 1	.XX±
DATE		.XXX±
SIZE A4	PPOJECTION	ANG±



ORDER INFORMATION



DESCRIPTION: