

FM Series

The FM series coils are made of nano-crystal.

◆MAJOR USES

- Signal power line noise control
- DC power line noise control
- AC power line noise control

◆FEATURES

- The high permeability core is made of nano-crystal
- High impedance in spite of a small number of turns
- Excellent temperature characteristics
- Conforming to insulating type B and incombustibility UL94V-0

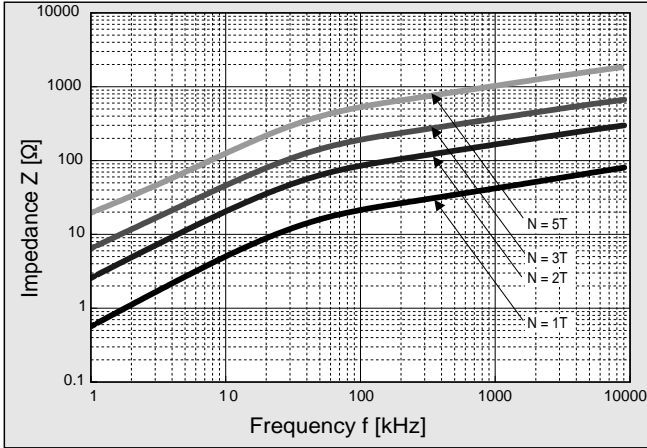


◆CORE STANDARD SPECIFICATIONS

Core Part No. (Old Core Part No.)	Abbreviation	Cross Sectional Area cm ²	Magnetic Path Length cm	Outside Dimensions			Inductance Coefficient AL Value I _{dc} =0[A] μH (100kHz)
				Outer Diameter mm	Width mm	Height mm	
LRF251515MK (F251515MK)	M8K	0.63	6.40	28.3	12.7	17.5	18.3
LRF322015MK (F322015MK)	MRK	0.73	8.17	35.2	17.5	17.3	16.6
LRF372315MK (F372315MK)	MJK	0.85	9.42	40.5	19.5	18.0	17.2
LRF462725MK (F462725MK)	MKK	1.92	11.50	49.4	22.7	28.0	31.0
LRF603525MK (F603525MK)	MLK	2.53	14.90	66.7	29.3	29.2	31.6
LRF624520MK (F624520MK)	MLCH	1.36	16.80	66.0	41.0	24.0	15.2

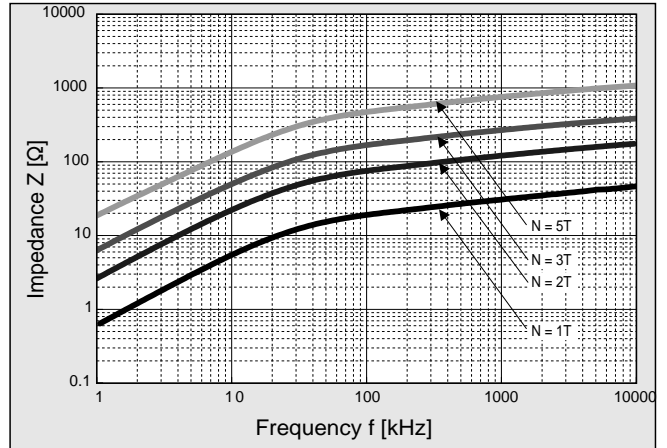
◆FREQUENCY - IMPEDANCE CHARACTERISTICS (1)

●LRF251515MK



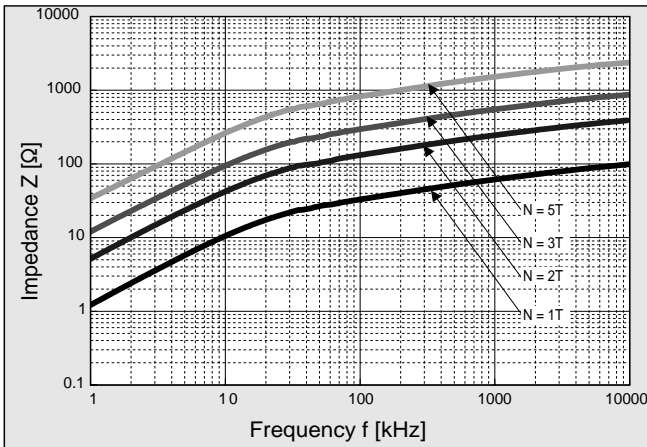
◆FREQUENCY - IMPEDANCE CHARACTERISTICS (2)

●LRF372315MK



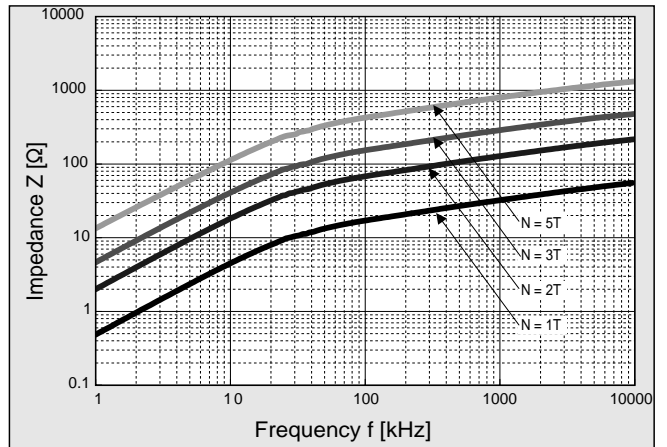
◆FREQUENCY - IMPEDANCE CHARACTERISTICS (3)

●LRF462725MK

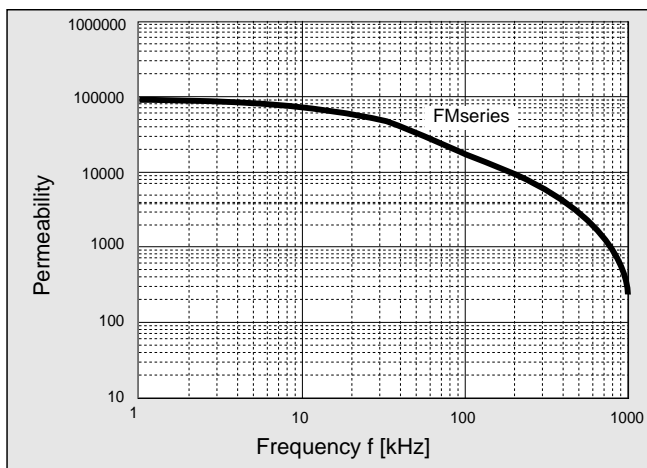


◆FREQUENCY - IMPEDANCE CHARACTERISTICS (4)

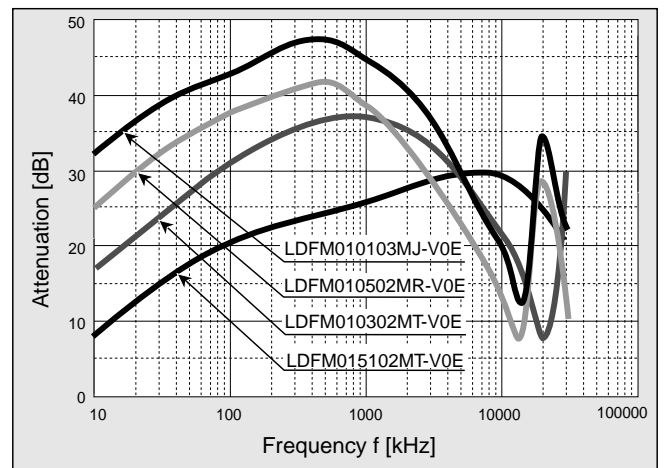
●LRF624520MK



◆FREQUENCY - PERMEABILITY CHARACTERISTICS



◆ATTENUATION CHARACTERISTICS



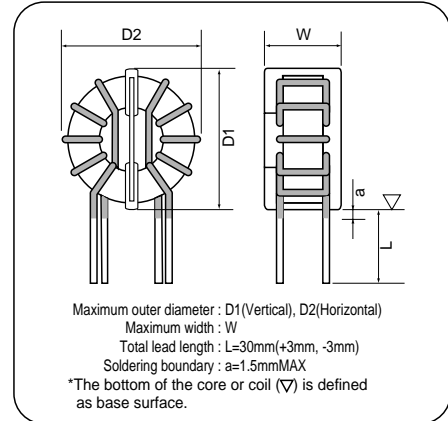
The FM series coils are made of nano-crystal.

◆ MAJOR USES

- Signal power line noise control
- DC power line noise control
- AC power line noise control

◆ FEATURES

- The high permeability core is made of nano-crystal
- High impedance in spite of a small number of turns
- Excellent temperature characteristics
- Conforming to insulating type B and incombustibility UL94V-0



◆ COIL STANDARD SPECIFICATIONS

Coil Part No. (Old Coil Part No.)	Core Part No. (Old Core Part No.)	Rated Current A	Inductance		D.C.R. mΩ (max)	Winding mmφ×lines-turns	Outside Dimensions		
			10kHz Typical mH	100kHz Rating mH			D1 mm	D2 mm	W mm
LDFM001802MS-V0E (FM01393MSPBF)	LRF110705M (F110705M)	1	28.0	8.0	350	0.35×1P-36T	15.0	15.0	11.9
LDFM002302MS-V0E (FM02173MSPBF)	LRF110705M (F110705M)	2	11.6	3.0	150	0.45×1P-23T	15.0	15.0	11.9
LDFM003152MS-V0E (FM03872MSPBF)	LRF110705M (F110705M)	3	5.6	1.5	70	0.55×1P-16T	15.0	15.0	11.9
LDFM003552M5-V0E (FM03552M5PBF)	LRF211205M (F211205M)	3	22.0	5.5	56	0.7 ×1P-28T	28.0	29.0	15.0
LDFM003153M6-V0E (FM03153M6PBF)	LRF221310M (F221310M)	3	60.0	15.0	82	0.7 ×1P-34T	29.0	30.5	20.5
LDFM005132M5-V0E (FM05132M5PBF)	LRF211205M (F211205M)	5	5.4	1.3	16	1.0 ×1P-14T	29.0	30.0	15.0
LDFM005332M6-V0E (FM05332M6PBF)	LRF221310M (F221310M)	5	13.0	3.3	21	1.0 ×1P-16T	29.0	30.5	20.0
LDFM005302MT-V0E (FM05302MTPBF)	LRF281510M (F281510M)	5	13.0	3.0	17	1.1 ×1P-15T	34.0	36.0	20.0
LDFM005502MT-V0E (FM05502MTPBF)	LRF281510M (F281510M)	5	23.0	5.0	23	1.1 ×1P-20T	34.5	36.5	20.5
LDFM005103MR-V0E (FM05103MRPBF)	LRF322015M (F322015M)	5	39.0	10.0	33	1.1 ×1P-26T	39.0	41.0	25.5
LDFM008451M5-V0E (FM08451M5PBF)	LRF211205M (F211205M)	8	1.8	0.45	6.5	1.3 ×1P- 8T	29.5	31.0	15.0
LDFM008102M6-V0E (FM08102M6PBF)	LRF221310M (F221310M)	8	4.2	1.0	9	1.3 ×1P- 9T	29.5	31.5	20.5
LDFM010102MT-V0E (FM10102MTPBF)	LRF281510M (F281510M)	10	5.8	1.0	8	1.5 ×1P-10T	34.0	38.0	22.0
LDFM010302MT-V0E (FM10302MTPBF)	LRF281510M (F281510M)	10	13.0	3.0	11	1.4 ×1P-15T	36.0	38.0	22.0
LDFM010502MR-V0E (FM10502MRPBF)	LRF322015M (F322015M)	10	24.0	5.0	15	1.5 ×1P-19T	40.0	43.0	27.0
LDFM010103MJ-V0E (FM10103MJPBF)	LRF372315M (F372315M)	10	46.5	10.0	20	1.5 ×1P-26T	46.5	47.5	27.5
LDFM015102MT-V0E (FM15102MTPBF)	LRF281510M (F281510M)	15	3.7	1.0	6	1.6 ×1P- 8T	34.5	38.0	20.5
LDFM015302MR-V0E (FM15302MRPBF)	LRF322015M (F322015M)	15	15.0	3.0	10	1.8 ×1P-15T	40.0	42.5	29.0
LDFM015502MJ-V0E (FM15502MJPBF)	LRF372315M (F372315M)	15	24.8	5.0	11	1.8 ×1P-19T	47.0	49.0	28.0
LDFM020102MR-V0E (FM20102MRPBF)	LRF322015M (F322015M)	20	4.2	1.0	5	1.5 ×2P- 8T	42.5	43.0	28.0
LDFM020302MJ-V0E (FM20302MJPBF)	LRF372315M (F372315M)	20	13.5	3.0	7	1.5 ×2P-14T	46.5	48.0	30.0
LDFM025252MJ-V0E (FM25252MJPBF)	LRF372315M (F372315M)	25	11.6	2.5	5	1.6 ×2P-13T	47.0	49.0	31.0
LDFM030102MR-V0E (FM30102MRPBF)	LRF322015M (F322015M)	30	4.2	1.0	5	1.7 ×2P- 8T	39.5	44.0	29.5
LDFM030202MJ-V0E (FM30202MJPBF)	LRF372315M (F372315M)	30	9.9	2.0	6	1.7 ×2P-12T	47.0	48.5	31.0

There is a horizontal putting type in all items in the above list.
"V" changes into "H" in last the third digit of the name of items.

FM Series

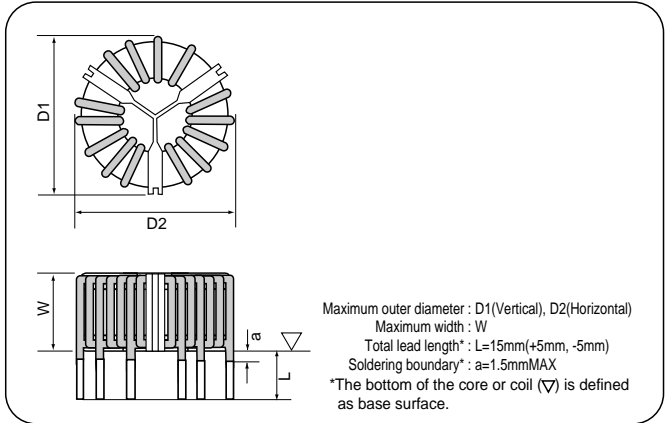
The FM series coils are made of nano-crystal.

◆ **MAJOR USES**

- Common mode coils for noise filter in inverter or large capacity power supply

◆ **FEATURES**

- Small profile, light through adoption of high permeability core
- High inductance in spite of a small number of turns
- Low temperature rise and, low D.C. resistance
- Stable frequency performance of noise suppression in wide frequency range
- Excellent temperature characteristics
- Conforming to insulating type B and incombustibility UL94V-0



◆ **COIL STANDARD SPECIFICATIONS**

Coil Part No. (Old Coil Part No.)	Core Part No. (Old Core Part No.)	Rated Current A	Inductance		D.C.R. mΩ (max)	Winding mmφXlines	Outside Dimensions		
			10kHz	100kHz			D1 mm	D2 mm	W mm
			Typical mH	Rating mH					
LDFM015802MGQH0E (FM15802MGQPBF)	LRF503415MQ (F503415MQ)	15	30.0	8.0	15	2.0×1P	65.0	65.0	35.0
LDFM020402MGQH0E (FM20402MGQPBF)	LRF503415MQ (F503415MQ)	20	16.0	4.0	6	2.3×1P	65.0	65.0	35.0
LDFM025282MGQH0E (FM25282MGQPBF)	LRF503415MQ (F503415MQ)	25	10.0	2.8	5	1.8×2P	65.0	65.0	35.0
LDFM030172MGQH0E (FM30172MGQPBF)	LRF503415MQ (F503415MQ)	30	7.0	1.7	4	2.0×2P	65.0	65.0	35.0

◆ **FREQUENCY - IMPEDANCE CHARACTERISTICS**

