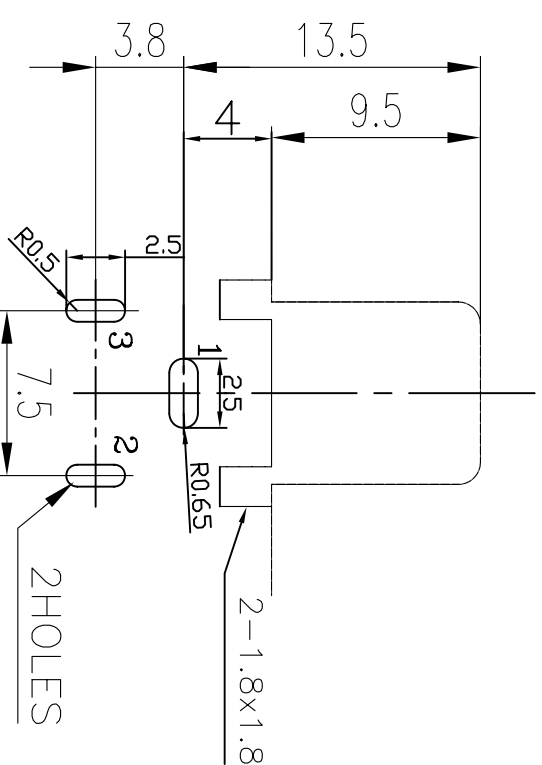
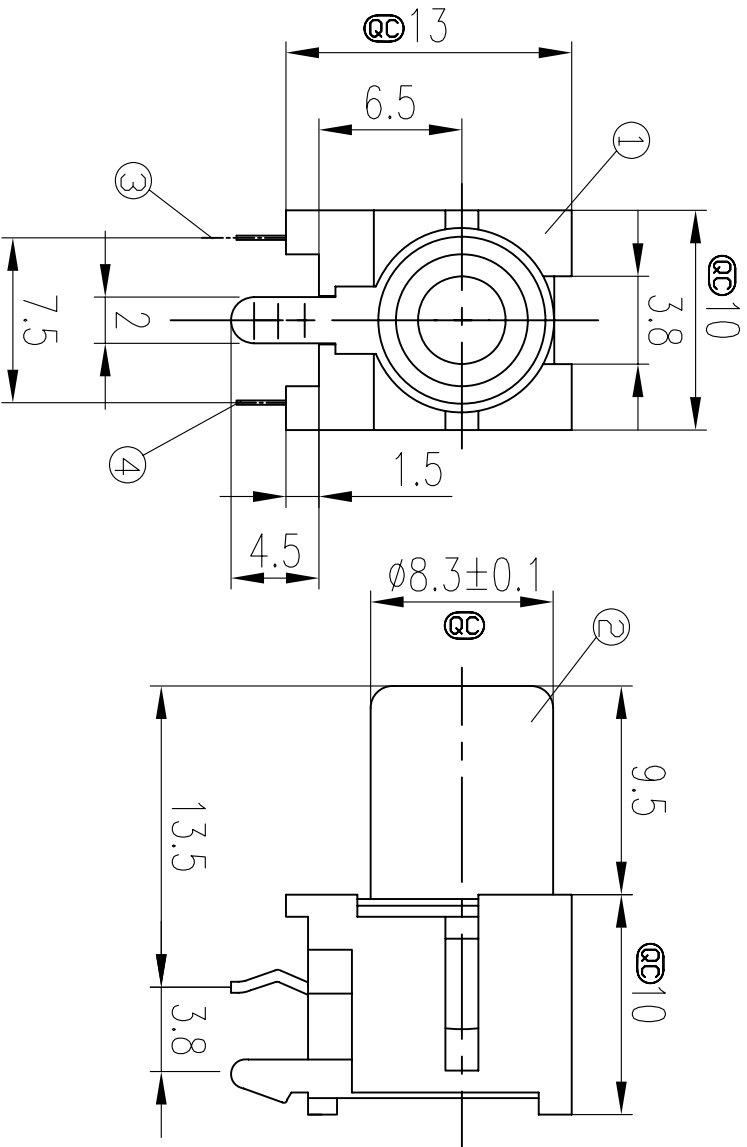


ECN NO.	REV	MODIFICATION	DATE	DRAW	APPROVE
	A1	NEW ISSUES	2009.07.02	JULY	ALAN

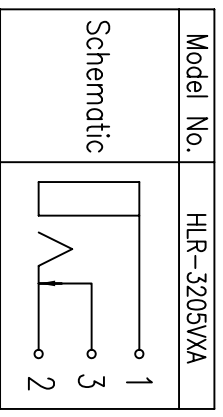


T:1:6 Dimensions of PC board holes
Tolerance : ±0.1(Printed-side view)

LEAD FREE

NO.	DESCRIPTION	QTY	MATERIAL	REMARK
4	SHUNT SPRING	1	C2680 t=0.4	Cu/Sn PLATED
3	TIP SPRING	1	C5191 t=0.3	Cu/Sn PLATED
2	OUTER CONTACT	1	C2680 t=0.4	Cu/Sn PLATED
1	HOUSING	1	PBT 4815	UL-94V0

MODEL NO.	COLOR OF HOUSING
HLR-3205VXA-001H	BLACK
HLR-3205VXA-002H	YELLOW
HLR-3205VXA-003H	RED
HLR-3205VXA-004H	WHITE
HLR-3205VXA-005H	ORANGE
HLR-3205VXA-006H	GREEN
HLR-3205VXA-007H	BLUE



TOLERANCE UNLESS OTHERWISE SPECIFIED		DWG. NO.	FILE NO.
X ±±0.5	X ± 3°	HLR-3205VXA	HLR-3205VXA
XX ±±0.3	XX ± 2°	TITLE	PIN JACK
XXX ±±0.25			CUSTOMER COPY
APPROVE JACK	CHECK ALAN	DRAW JULY	SCALE 1:1
		PRD.	SHEET 1
		SCALE 1:1	REV A1