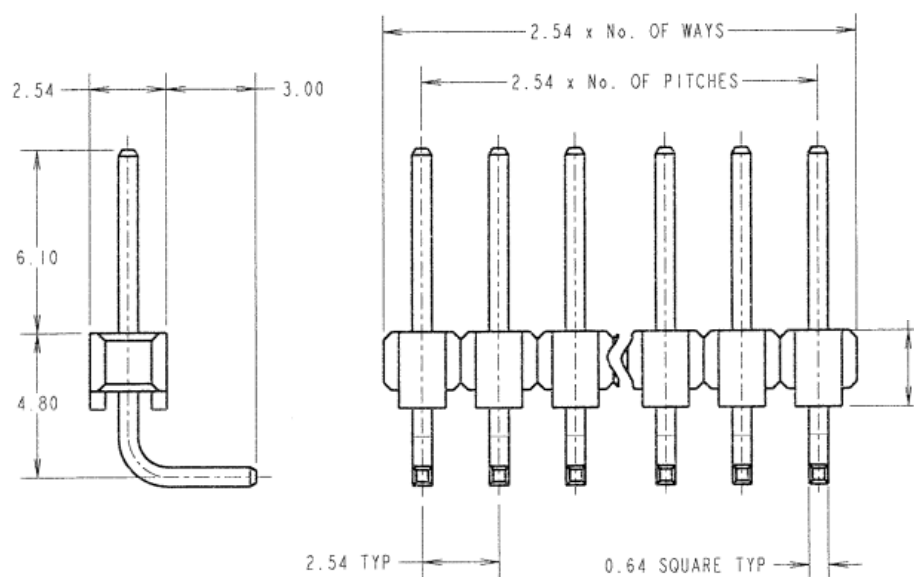


## Datasheet

# RS M20-99 Series, 2.54mm Pitch 36 Way 1 Row Right Angle PCB Header, Solder Termination, 3A

RS Stock number [547-3217](#)



## Specifications

### Material

Glass filled polyester UL94V-0, black – 05 & 06  
High temp nylon 6T UL94V-0, Black – 45 & 46

### Finish

#### Pins

05/45-Gold  
06-Tin Lead  
46-100% tin

### Electrical

Current rating: 3A max  
Contact resistance: 25mΩmax (gold)  
30mΩmax (tin)  
Insulation resistance: 1000mΩmin  
Dielectric strength: 750V AC/DC

### Environmental

Temperature range: 40 °C to +105 °C

### Mechanical

Durability: 300 operations (gold) 50 operations (tin)