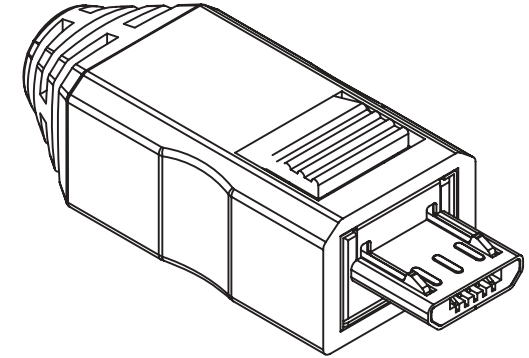
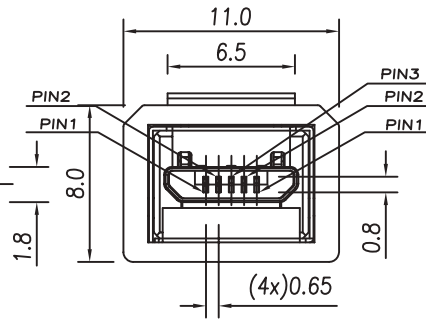


TABLE A



- NOTE:
- SAFETY:
 - RATING: 0.5A/250Vac.
 - CONTACT RESISTANCE: 30mOhm MAX.
 - INSULATION RESISTANCE: 100Mohm MIN.
 - DIELECTRIC WITHSTANDING VOLTAGE: 100Vac/1minute.
 - DURABILITY: 10,000cycles.
 - MATERIAL:
 - PIN:PHOSPHOR BRONZE.
 - HOUSING:NYLON COLOR:TABLE A $\Delta\Delta$
 - LATCH:STAINLESS #304.
 - SHELL:STAINESS #304. Δ
 - COVER:NYLON 66 COLOR:BLACK. Δ
 - PLATING:
 - PIN:GOLD 15u" MIN ON CONTACT AREA, TIN 100u" MIN ON SOLDER TAILS, UNDERPLATED NICKEL OVER ALL 60u" MIN.

RoHS Compliant

TOLERANCES ARE

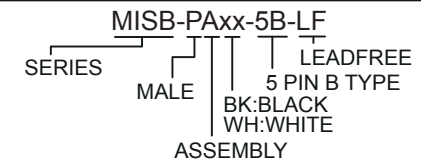
DRAWING BY	CY	X, ±
CHECKED BY	GENIUS	.X ±
UNIT/ mm	SCALE 1:1	.XX ±
DATE		.XXX ±
		ANG ±

SIZE A4

P PROJECTION



ORDER INFORMATION



DESCRIPTION: MICRO USB 5PIN(M) B TYPE