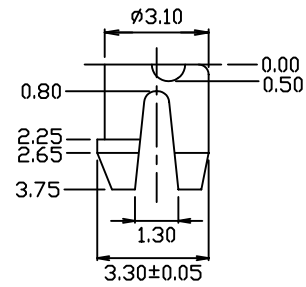
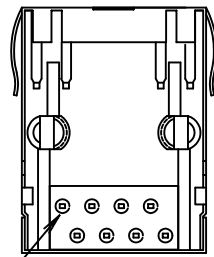
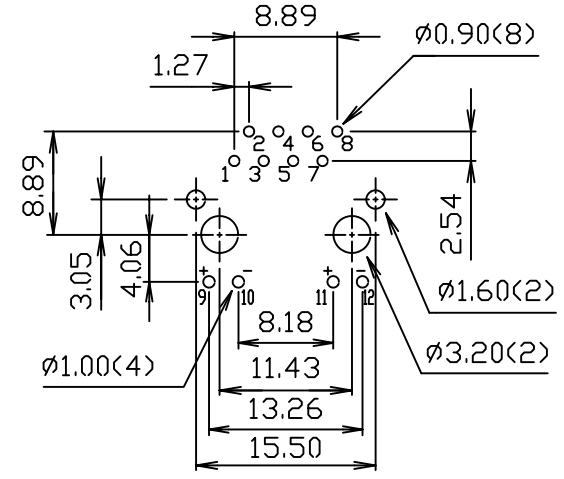
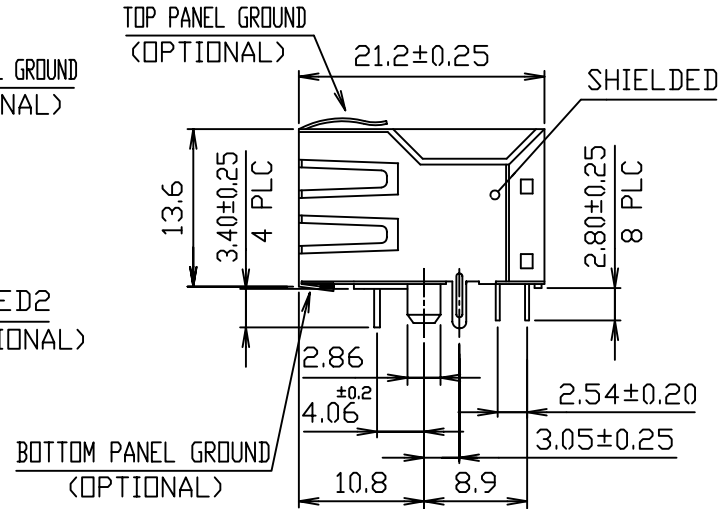
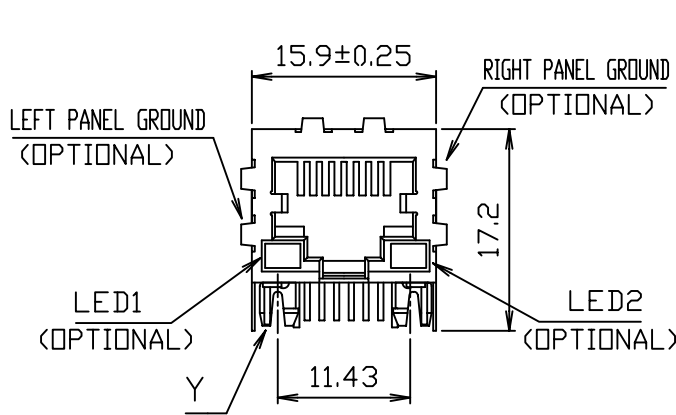


MATERIALS:

- HOUSING-PBT POLYESTER UL94V-0 MIXED GLASS FIBER. STANDARD COLOR-BLACK.
 - CONTACTS-0.35mm THICK PHOS-BRONZE PLATED WITH HARD GOLD AND TIN/LEAD IN SOLDER AREA.
 - SHIELD-0.25mm THICK COPPER ALLOY, PLATED WITH NICKEL.
- CAVITY CONFIRMS TO FCC RULES AND REGULATIONS PART 68,SUBPART F.



RoHS Compliant

PART NO.	MJF13L-KF06B3YG-88LF		CHECKED BY	CY		TOLERANCES ARE	DESCRIPTION:	SINGLE PORT, RJ45, SHIELDED WITH LED'S, SIDE ENTRY PCB JACK		
	DWG NO.	MJF13L-KF06B3YG-0808		DRAWING BY				AREA	REVISIONS	HK
FILE NO.			PROJECTION			.X ± 0.2				
UNIT / mm	SCALE	1:1				.XX ±				
						.XXX ±				
						AWG				