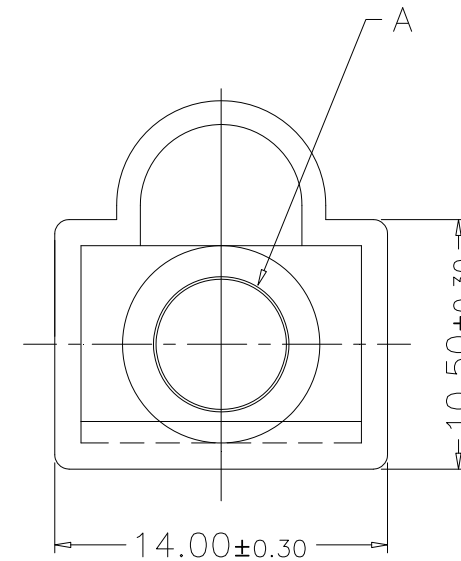


A Dim m/m
5.5±0.10
6.0±0.10
6.5±0.10
7.0±0.10

材質 **Material:**

1. 塑膠材質 **Material: PVC**



**RoHS Compliant**

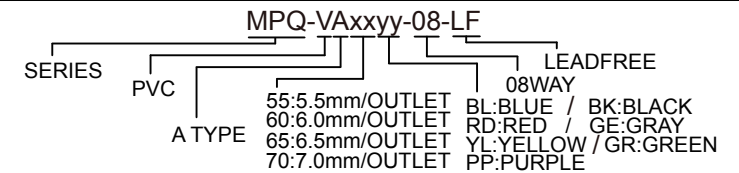
TOLERANCES ARE

DRAWING BY CY	
CHECKED BY GENIUS	
UNIT / mm	SCALE 1 : 1
DATE	
SIZE A4	P PROJECTION

X. ±  
.X ±  
.XX ±  
.XXX ±  
ANG ±



**ORDER INFORMATION**



DESCRIPTION: