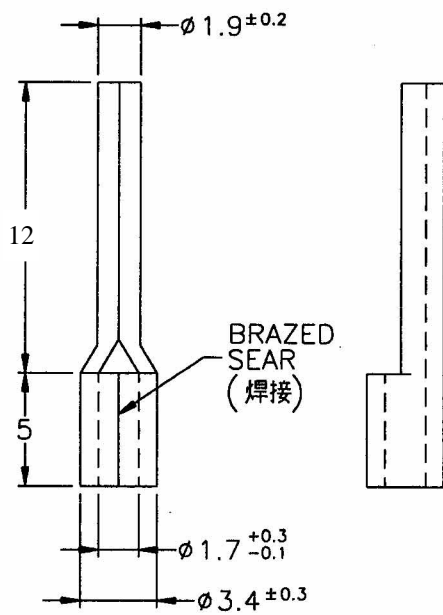


REVISIONS			
ZONE	REV	DESCRIPTION	DATE



TITLE		TERMINAL MAT'L		DATE	
針型端子		COPPER		88.04.16	
PART NUMBER		DRAWING NUMBER		FINISH	
見上表		PTNB1-H		TIN PLATED	
SIZE		UNIT		INSULATION COLOR	
A4		mm		CHECK	
SCALE		REV		UNLESS OTHERWISE SPECIFIED TOLERANCE	
NON		A		$\pm 1.0$	
APPROVED				DRAWN	
Christina				時春侯	