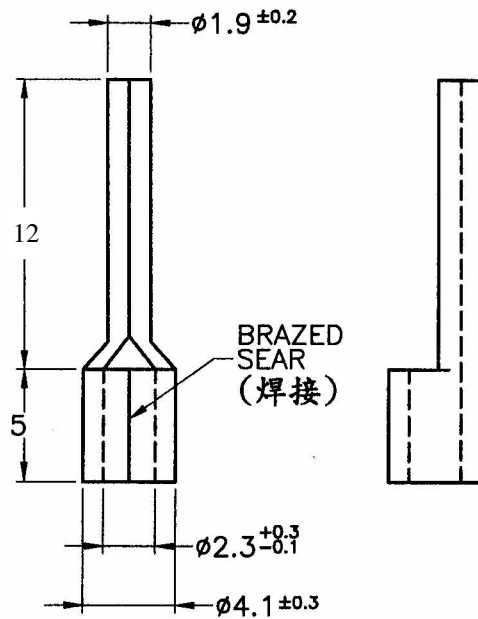


| REVISIONS |             |      |    |
|-----------|-------------|------|----|
| REV       | DESCRIPTION | DATE | BY |
|           |             |      |    |
|           |             |      |    |



|                          |               |                           |          |  |                  |
|--------------------------|---------------|---------------------------|----------|--|------------------|
|                          |               |                           |          | TERMINAL MAT'L<br>COPPER                             | DATE<br>88.01.27 |
| TITLE<br>針型端子            |               |                           |          | FINISH<br>TIN PLATING                                | DRAWN<br>JASON   |
| PART NUMBER<br>SEE ABOVE |               | DRAWING NUMBER<br>PTNB2-H |          | INSULATION COLOR                                     | CHECK<br>        |
| SIZE<br>A4               | SCALE<br>NONE | UNIT<br>mm                | REV<br>A | UNLESS OTHERWISE SPECIFIED<br>TOLERANCE<br>$\pm 1.0$ | APPROVED<br>     |