

Header Plug, Dual in line

2.0mm pitch

MOQ 50 pcs

[Specifications]

Maximum current : 1.5A
Dielectric strength : AC500Vrms 1 minute
Insulation resistance : 1000MΩ min
Temperature range : -40℃~+105℃

[Materials]

Plug Pin : Brass □0.50mm
Insulator : PBT Glass etc
UL94V-0 Black

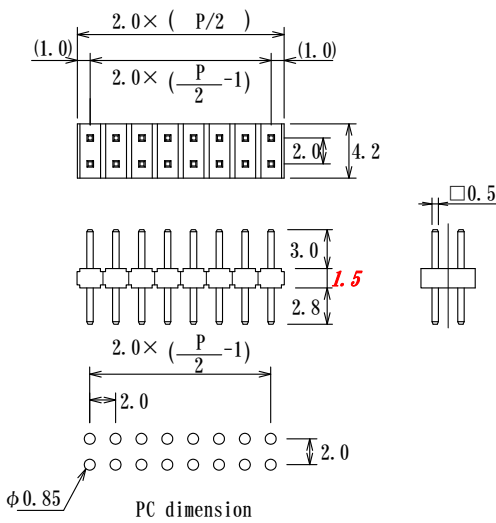
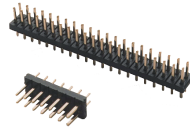
Straight

How to order

IK212W3-D□□G-H1.5

Number of positions
Multiple number of 2
4~80

Standard Plating
Gold flash over Ni Plating
0.1μm max



Note¹

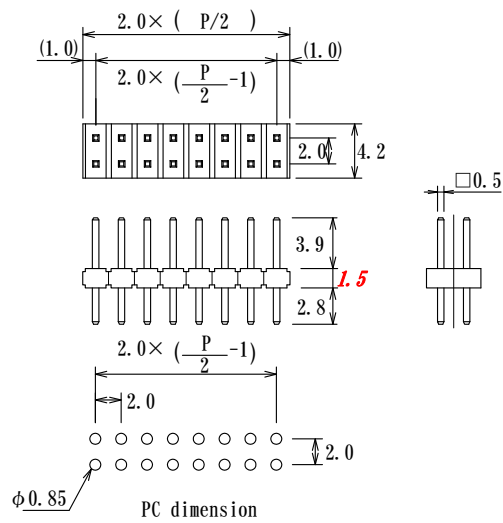
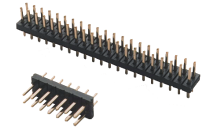
Straight

How to order

IK212W39-D□□G-H1.5

Number of positions
Multiple number of 2
4~80

Standard Plating
Gold flash over Ni Plating
0.1μm max



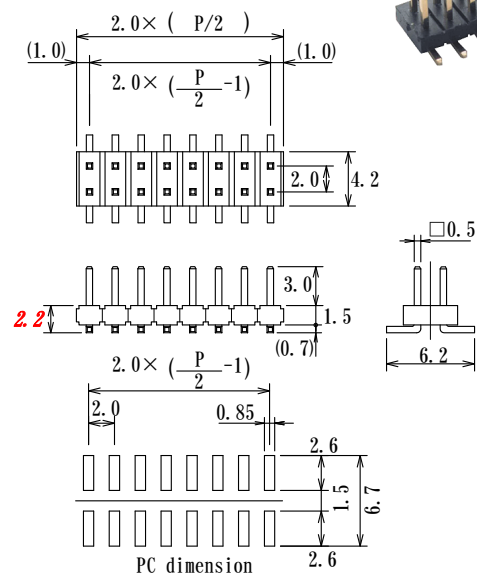
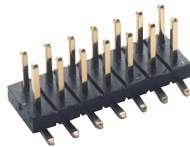
Note¹

How to order

IK212SMW3-D□□G-H2.2

Number of positions
Multiple number of 2
4~80

Standard Plating
Gold flash over Ni Plating
0.1μm max



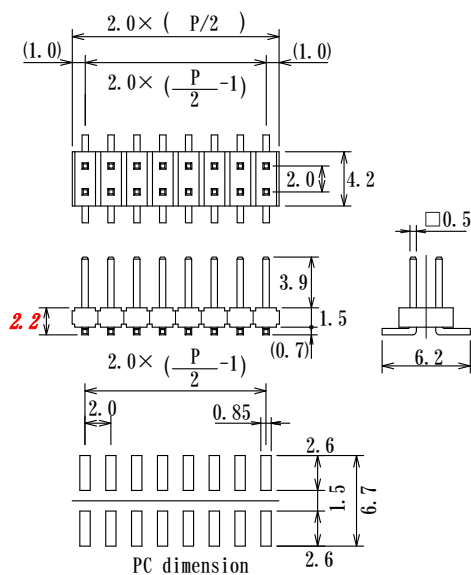
Note¹

How to order

IK212SMW39-D□□G-H2.2

Number of positions
Multiple number of 2
4~80

Standard Plating
Gold flash over Ni Plating
0.1μm max



Note¹

P : Number of position

Note¹: Only 'Certification of non-use of RoHS Restricted Substance' can be issued.