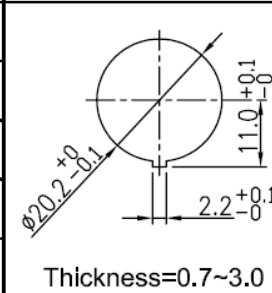
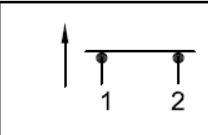


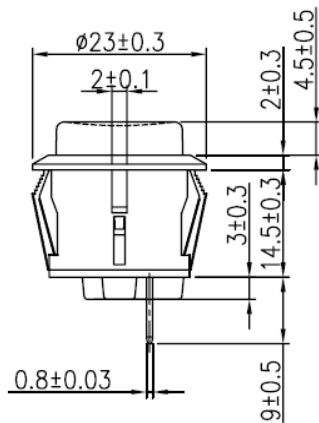
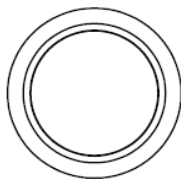
Rating	10A 125V, 6A 250VAC 1/2HP 125V~250V	Mounting Hole	Circuit Diagram
	20A 14VDC, 10A 28VDC		
Contact Resistance	50m ohm Max.		
Insulation Resistance	DC 500V 100M ohm Min.		
Dielectric Strength	AC 1500V 1 minute		
Operation Temperature	-25°C ~ 85°C		
Switch Function	2P SPST (ON)-OFF		Thickness=0.7~3.0

Material:

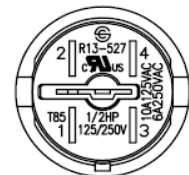
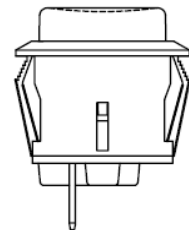
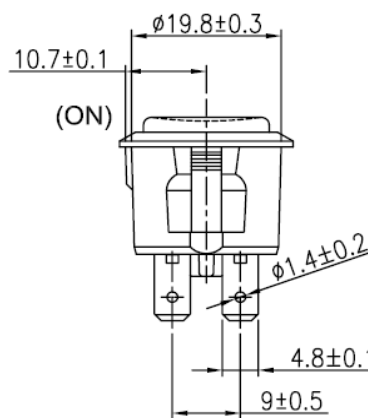
Frame: Nylon#66, Black

Actuator: PC, Red

Printed: None



OFF



C8R13/R13-527C-02(紅色不透明)

								△	
								△	
Date		Name		Description				NO	
Drawn	Checked	Approved				Model Name	PUSH SWITCH		
柳新強	徐洲迎	李元生		Customer No.		Model No.	R13-527C-02		Rev.
10/09/'13	10/10/'13	10/10/'13		Unit	mm				X0