
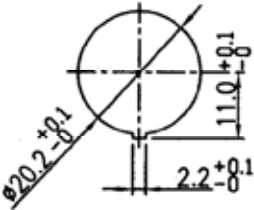
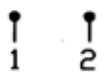
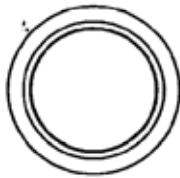


Rating	10A 125V, 6A 250VAC 1/2HP 125V~250V 	Mounting Hole	Circuit Diagram
	20A 14VD, 10A 28VDC		
Contact Resistance	50m ohm Max.		ON
Insulation Resistance	DC 500V 100M ohm Min.		
Dielectric Strength	AC 1500V 1 minute		
Operation Temperature	-25°C ~ 85°C		
Switch Function	2P SPST ON-OFF		



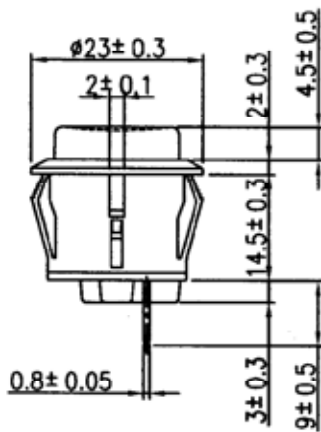
Material:

Frame: Black, Nylon#66 (94-V2)

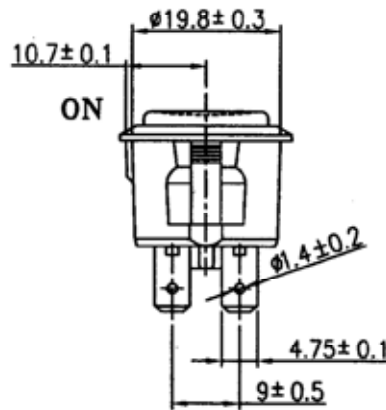
Actuator: Black, PC (94-V2)

Terminals: Silver plated, Copper alloy

Printed: None



OFF



ON

